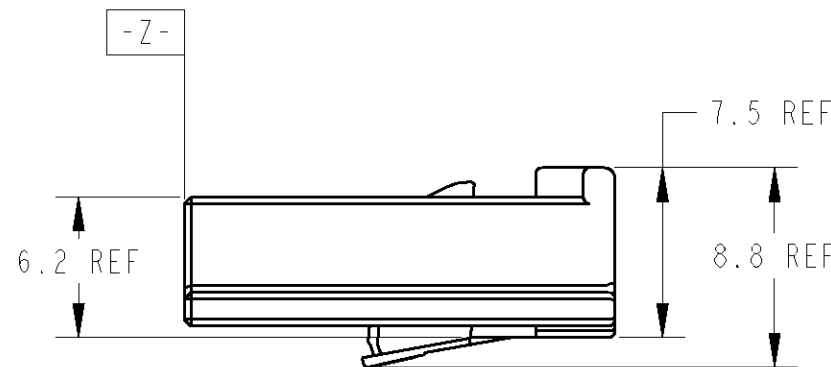
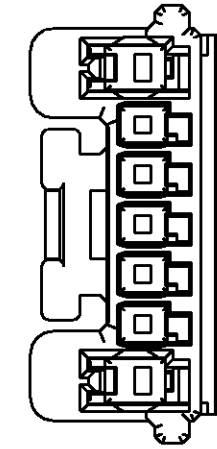
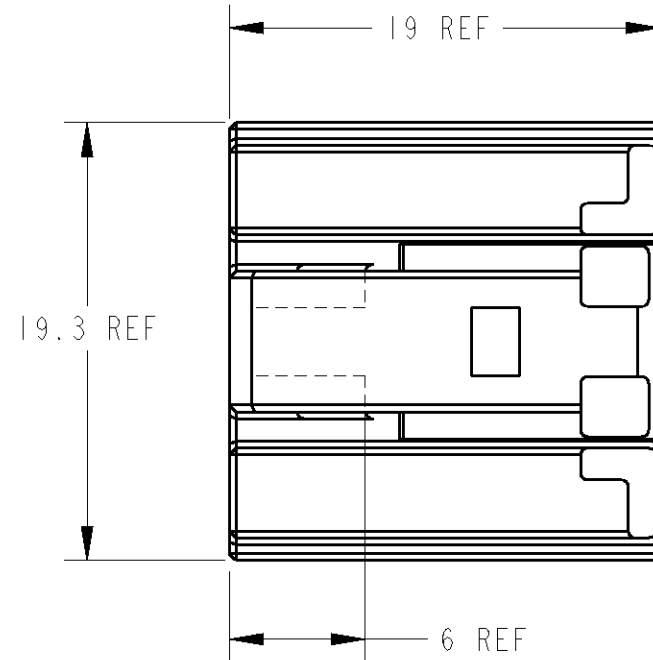
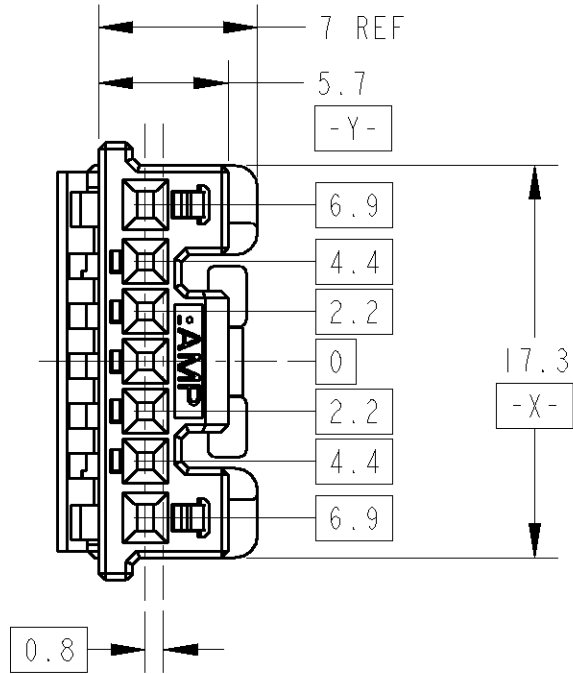


THIS DRAWING IS UNPUBLISHED. RELEASED FOR PUBLICATION
 © COPYRIGHT BY TYCO ELECTRONICS CORPORATION. ALL RIGHTS RESERVED.

LOC	DIST	REVISIONS 変更						
		P	LTR	DESCRIPTION	ECN	DATE	DWN	APVD
J		A3		REVISED	FJ00-2017-00	21DEC00	N.Y	N.S
		B		REVISED	ECR-06-024409	13NOV06	SK	SI



1. INSTRUCTION SHEET ; 411-5919
2. DOUBLE LOCK SHOULD BE SET TO THE PRE-ASSEMBLY POSITION WITHIN THE PLUG HOUSING WHEN SHIPPED TO THE CUSTOMER.
3. DETAILS OF CAVITIES; SEE TABLE-1.
4. SEE SHEET 2 OF 2 FOR CAP HOUSING TO BE MATED.

1. 取扱説明書 ; 411-5919
2. ダブルロックは、仮係止状態で出荷される。
3. キャビティ構成はTABLE-1参照。
4. 嵌合相手は、SHEET 2 OF 2を参照のこと。

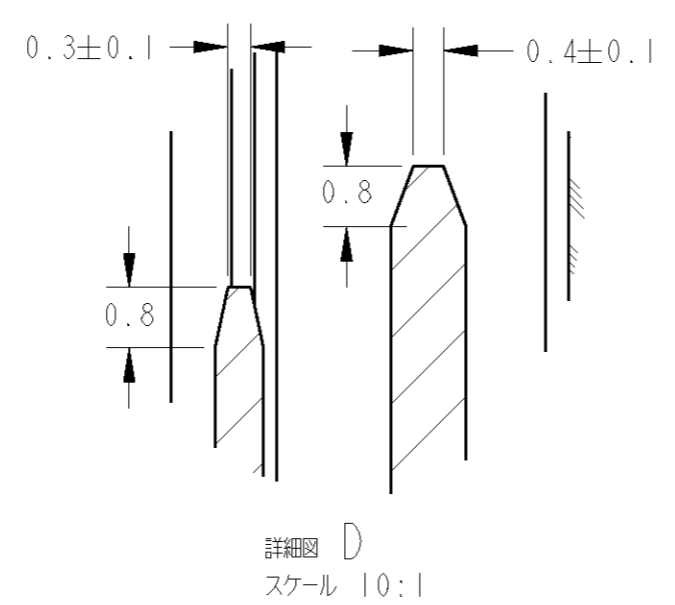
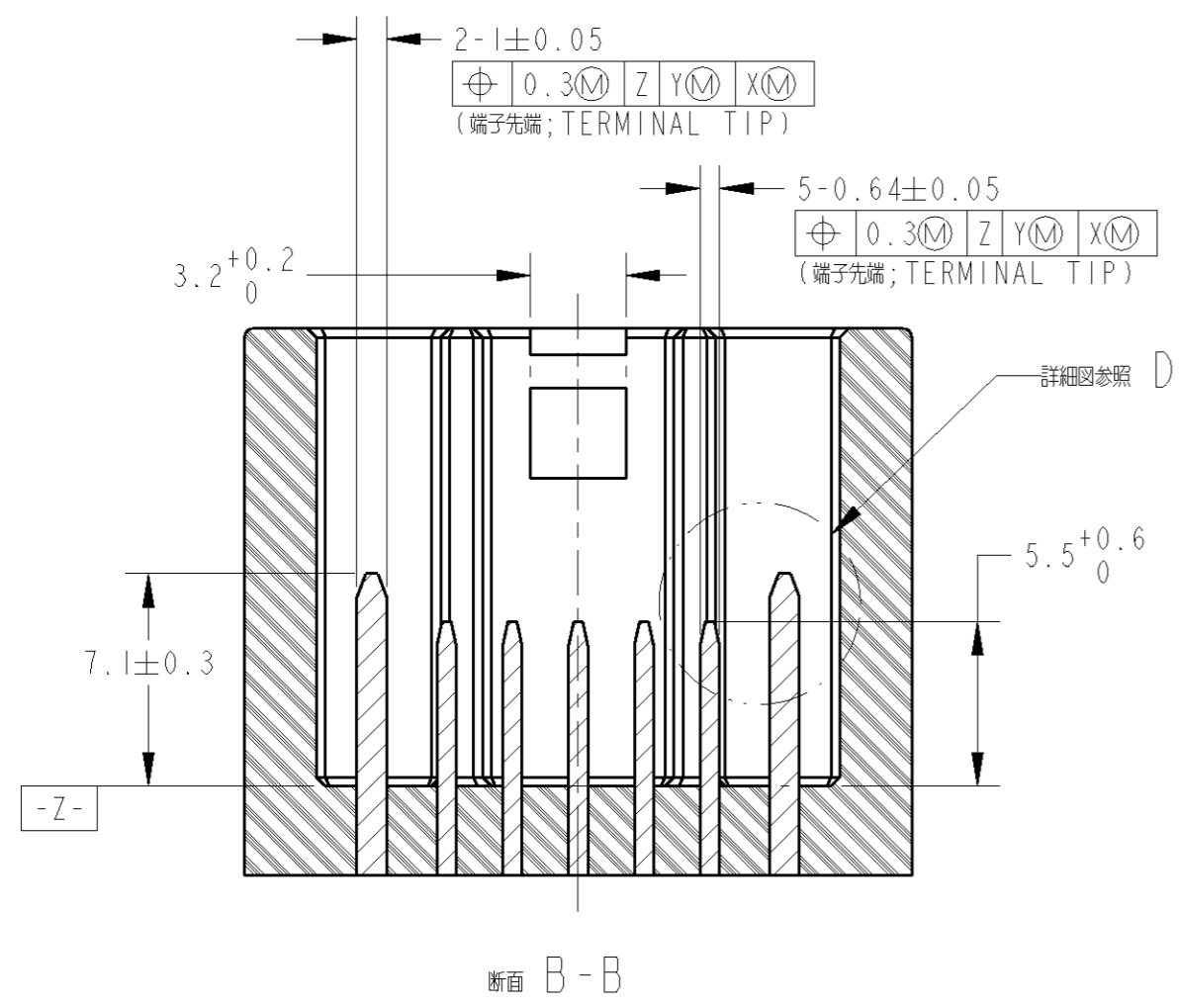
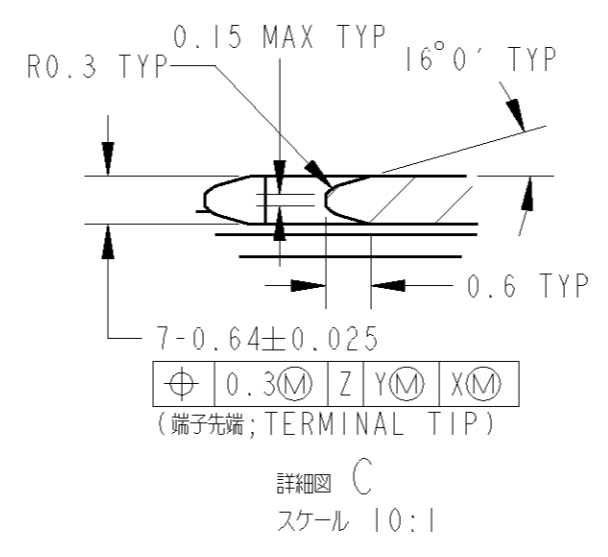
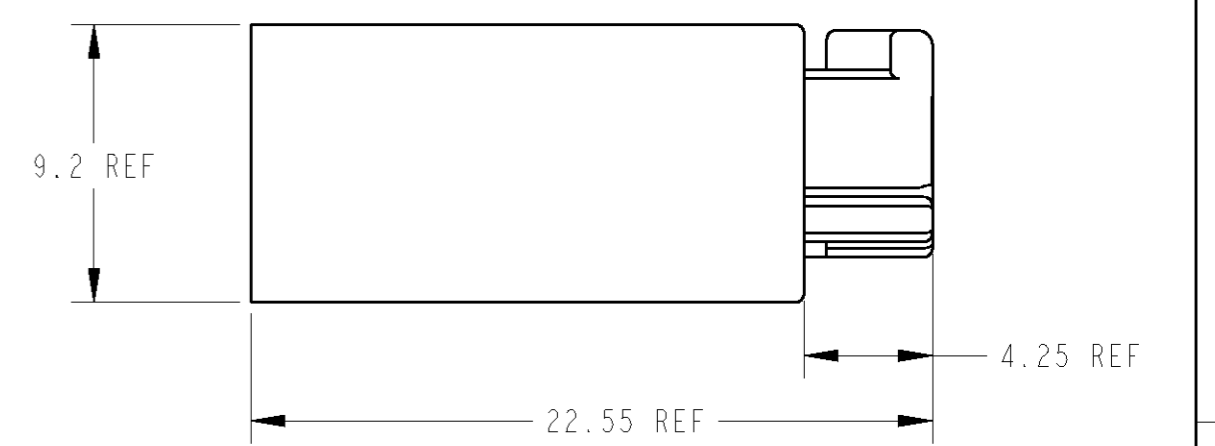
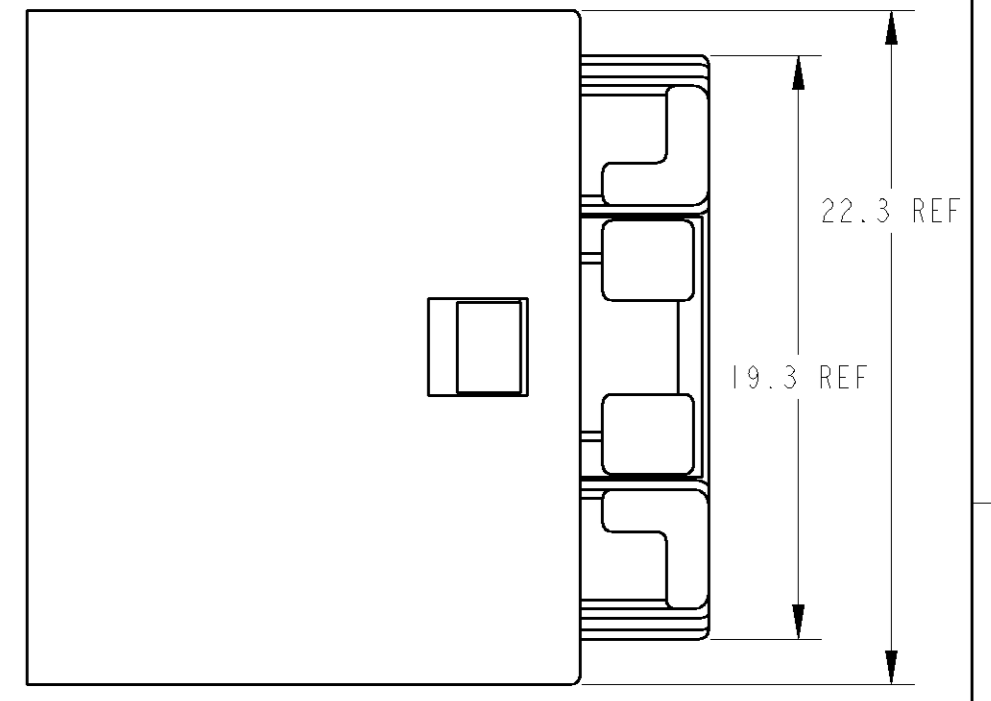
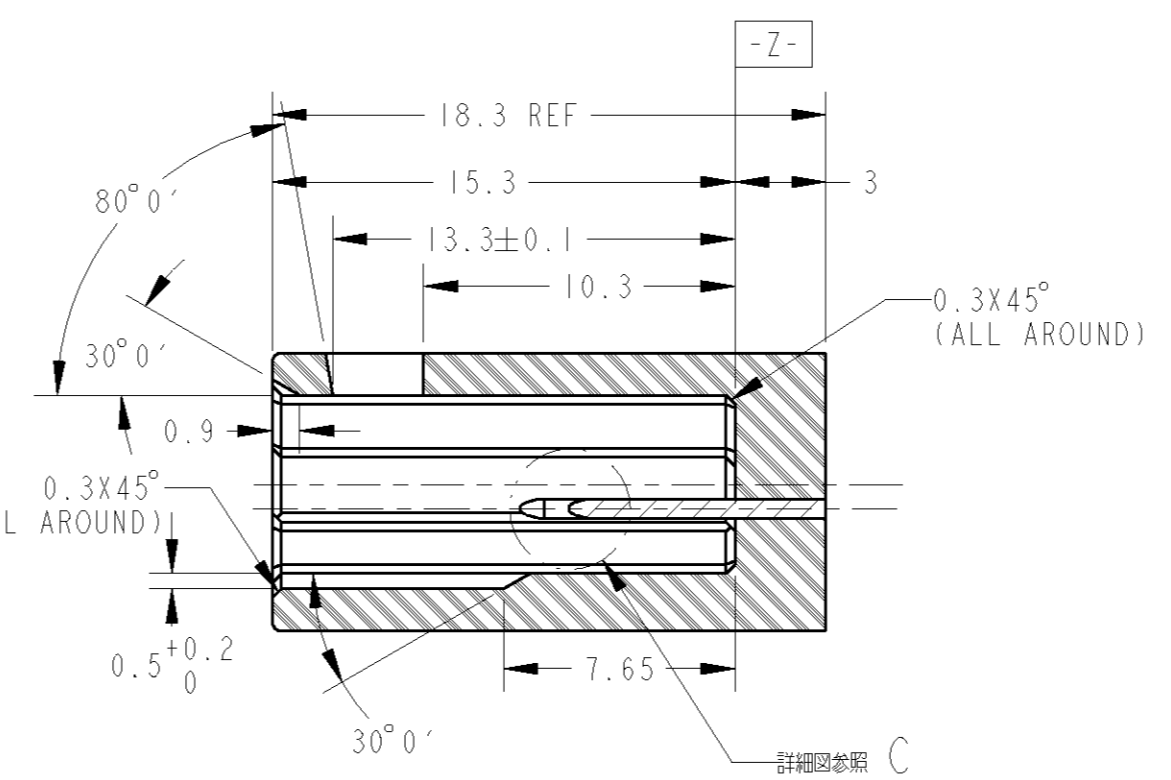
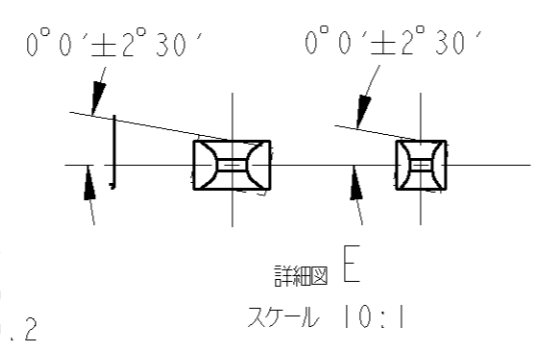
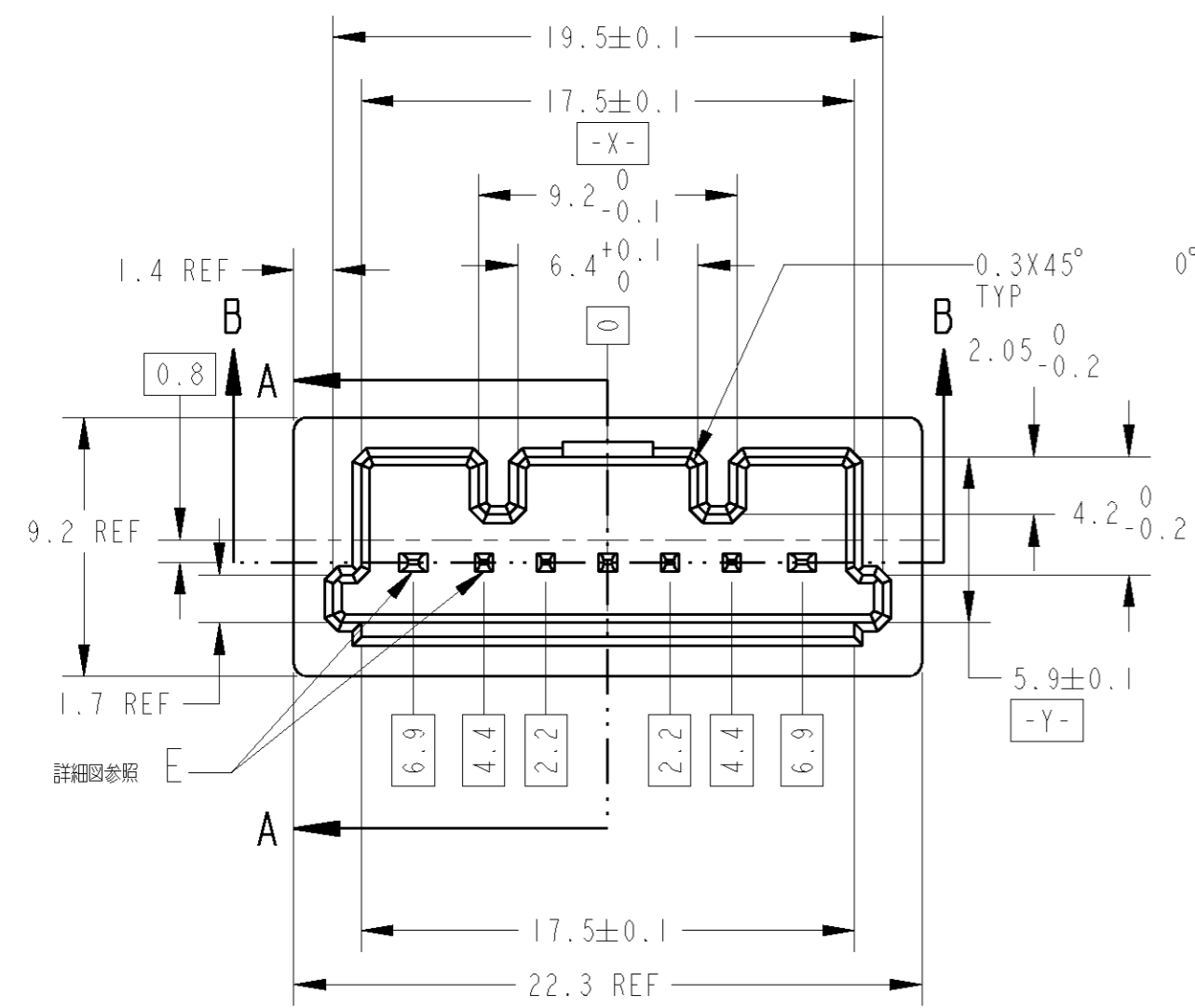
	FINISH	POS. 極数	P/N	APPLICABLE WIRE RANGE 適用電線
SIGNAL .025	TIN	5	1123343-1	AVSS 0.3-0.5mm ² CAVS0.3-0.5 mm ² CAVUS 0.3-0.5mm ² AVSSH 0.3-0.5mm ²
POWER .040	TIN	2	316836-1	AVS 0.3-0.5mm ² AVSS/CAVS 0.3-0.85mm ² CAVUS 0.3-0.85mm ²
			316838-1	AVS 0.5mm ² AVSS/CAVS 0.85-1.25mm ² CAVUS 1.25mm ²

BLACK	1318801-1
COLOR	PART NUMBER

THIS DRAWING IS A CONTROLLED DOCUMENT FOR TYCO ELECTRONICS CORPORATION IT IS SUBJECT TO CHANGE AND THE CONTROLLING ENGINEERING ORGANIZATION SHOULD BE CONTACTED FOR THE LATEST REVISION.		DWN N. YASUDA 07JUL99	Tyco Electronics AMP K.K. Kawasaki, Japan	
DIMENSIONS: 単位: 概 mm		CHK N. SAI 07JUL99		
TOLERANCES UNLESS OTHERWISE SPECIFIED: 一般公差 = ± 0.2		APVD N. SAI 07JUL99	NAME 025/040 7P PLUG HOUSING, IMMOBILIZER	
0-PLC ± 1-PLC ±0.1 2-PLC ±0.01 3-PLC ±0.001 4-PLC ±0.0001 ANGLES ±3°		PRODUCT SPEC 108-5664		
MATERIAL 材料 PBT		FINISH 仕上 BLACK	APPLICATION SPEC 取付適用規格 114-5217, 5250	SIZE A3
		WEIGHT 1.47 g	CAGE CODE 00779	DRAWING NO C-1318801
		CUSTOMER DRAWING	SCALE 4:1	SHEET 1 OF 2

THIS DRAWING IS UNPUBLISHED. RELEASED FOR PUBLICATION
 © COPYRIGHT BY TYCO ELECTRONICS CORPORATION. ALL RIGHTS RESERVED.

REVISONS					
REV	DESCRIPTION	ECN	DATE	DWN	APVD
SEE SHEET 1 OF 2					



1. INSTRUCTION SHEET ; 411-5919
 2. HOUSING MATERIAL ; PBT(GF15%).
 3. TERMINAL MATERIAL ; BRASS(USN NO. C26000, C26800) TIN-LEAD 0.8-1.5μm OVER COPPER PLATED 0.5-1.5μm
 4. THIS SHEET FOR CAP HOUSING DESIGN.
 5. PART NUMBER OF PLUG HOUSING TO BE MATED ; 1318801.
1. 取扱説明書 ; 411-5919
 2. ハウジング材料 ; PBT(GF15%)
 3. 端子材料 ; BRASS(USN NO. C26000, C26800相当)に 鍍下地めっき0.5-1.5μmを施した後、すずめっき0.8-1.5μmを施すこと。
 4. 本シートは、推奨嵌合図である。
 5. 嵌合相手ハウジング型番 ; 1318801

THIS DRAWING IS A CONTROLLED DOCUMENT FOR TYCO ELECTRONICS CORPORATION. IT IS SUBJECT TO CHANGE AND THE CONTROLLING ENGINEERING ORGANIZATION SHOULD BE CONTACTED FOR THE LATEST REVISION.		DWN N. YASUDA 07 JUL 99	tyco Electronics		Tyco Electronics AMP K.K. Kawasaki, Japan	
DIMENSIONS: 単位: 純 mm		CHK N. SAI 07 JUL 99	NAME 025/040 7P PLUG HOUSING, IMMOBILIZER			
TOLERANCES UNLESS OTHERWISE SPECIFIED: 一般公差 = ± 0.15		APVD N. SAI 07 JUL 99	PRODUCT SPEC			
0-PLC ±		APPLICATION SPEC				
1-PLC ±0.1		WEIGHT				
2-PLC ±0.01		SIZE A2				
3-PLC ±0.001		CAGE CODE 00779				
4-PLC ±0.0001		DRAWING NO. 1318801				
ANGLES ±1'		RESTRICTED				
FINISH 仕上		SCALE 4:1				
MATERIAL SEE NOTE		SHEET 2 OF 2				
SEE NOTE		REV B				
		CUSTOMER DRAWING				