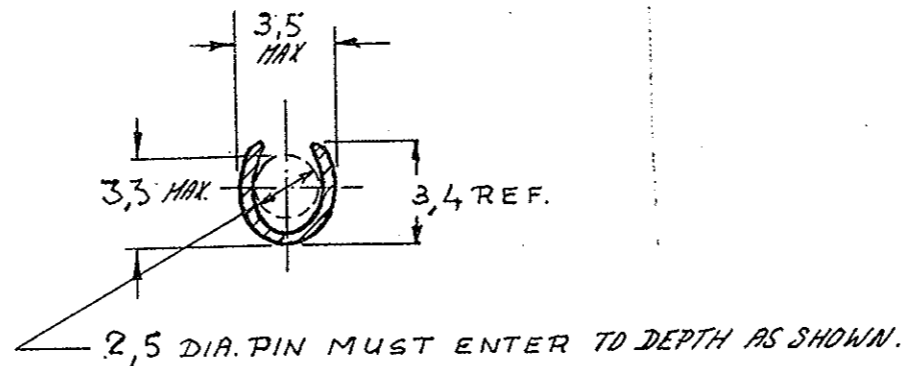
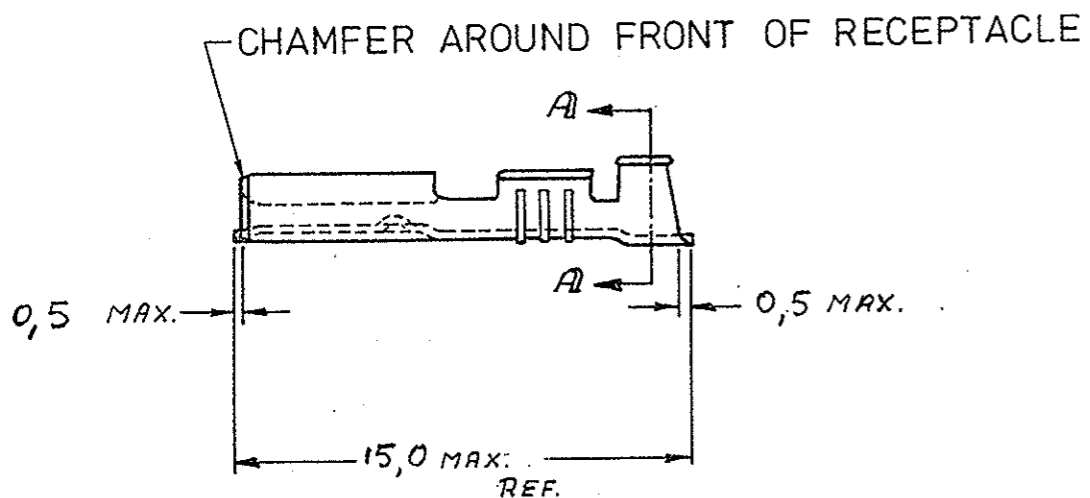


P	LTR	DESCRIPTION	DATE	DWN	APVD
J		FIRST ISSUE	02MAY2007	HY	GT
J1		ADDED WIRE & INSULATION RANGE 02MAY07		HY	GT



SEC: A-A

6-160555-0	TIN LEAD	PHOSPH. BRONZE	5-160556-5	0
5-160555-4	PLAIN	PHOSPH. BRONZE	5-160556-4	0
5-160555-3	SILVER PLATED	BRASS	5-160556-3	0
5-160555-2	TIN PLATED	BRASS	5-160556-2	0
5-160555-1	PLAIN	BRASS	5-160556-1	0
0-160484-8	TIN LEAD	BRASS	0-160539-7	-
0-160484-7	PRE-TIN PLATED	PHOSPH. BRONZE	0-160539-6	-
0-160484-6	TIN PLATED	PHOSPH. BRONZE	0-160539-5	-
0-160484-3	SILVER PLATED	BRASS	0-160539-3	J
0-160484-4	TIN PLATED	BRASS	0-160539-2	J
0-160484-1	PLAIN	BRASS	0-160539-1	J
STRIP FORM	FINISH	MATERIAL	TYCO P/N	REV

WIRE RANGE 0,5-1,0 mm².
INSULATION RANGE 2,0-2,5 mm.

<small>THIS DRAWING IS A CONTROLLED DOCUMENT FOR TYCO ELECTRONICS CORPORATION IT IS SUBJECT TO CHANGE AND THE CONTROLLING ENGINEERING ORGANIZATION SHOULD BE CONTACTED FOR THE LATEST REVISION.</small>		DWN H. Yaali 02MAY2007	AMP Italia S.p.A. C.so F.lli Cervi, 15 COLLEGNO (TO)		
DIMENSIONS: mm	TOLERANCES UNLESS OTHERWISE SPECIFIED:	CHK	NAME FASTON* Connector, 2.8 mm series RECEPTACLE CONTACT LOOSE PIECE VERSION		
	0 PLC ± 1 PLC ±0.3 2 PLC ± 3 PLC ± 4 PLC ± ANGLES ±1°	APVD G. Turco	PRODUCT SPEC	SIZE	RESTRICTED TO
MATERIAL SEE TABLE	FINISH	APPLICATION SPEC	WEIGHT	CAGE CODE A300779	DRAWING NO C-160539
CUSTOMER DRAWING			SCALE 4:1	SHEET 1	REV J1