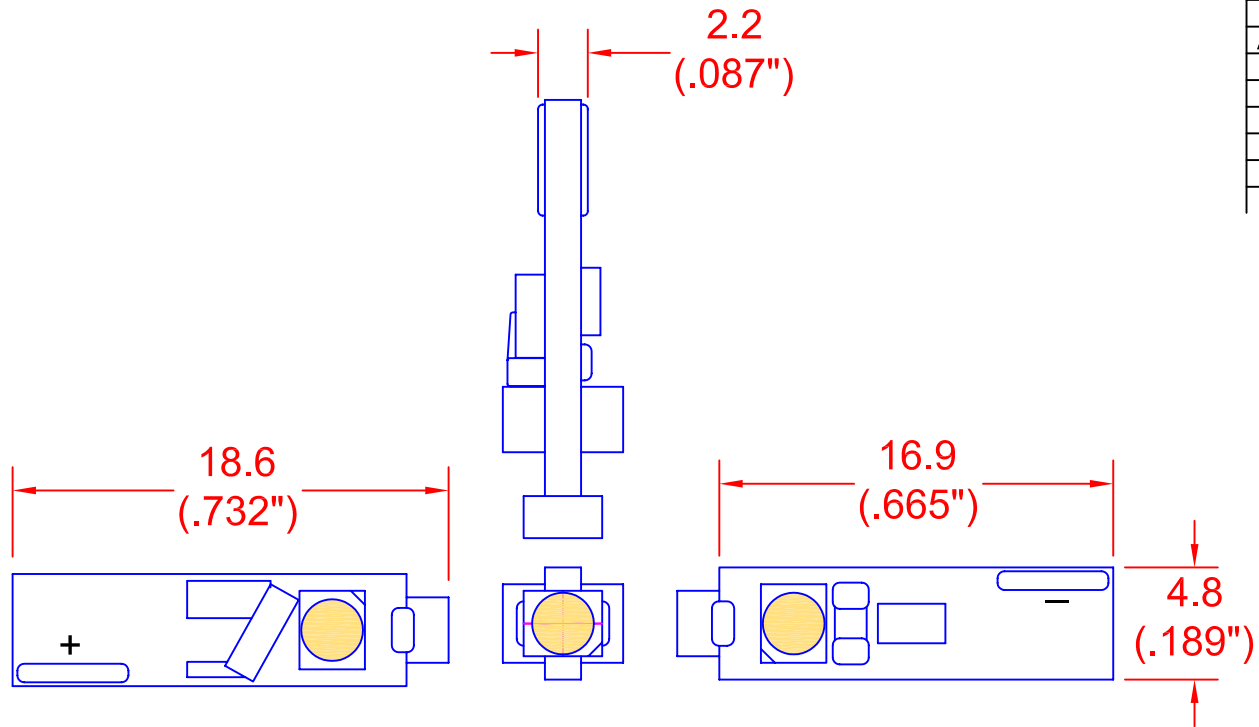


REV.	DESCRIPTION/ECO NO.	DATE
	RELEASE & CANCEL PL-0809-08	10/8/08
A	ADD COLOR TEMPERATURE	6/22/10



BOARD THICKNESS (REF.): 1.6

Absolute Maximum Rating at TA = 25°C

Parameter	Symbol	Absolute Maximum Rating	Unit
Forward Current	IF	50	mA
Power Dissipation	PD	.6	W
Electrostatic Discharge	ESD	120	V
Operating Temperature	Topr	-25~+60	°C
Storage Temperature	Tstg	-40~+80	°C

Electrical/Optical Characteristics at TA = 25°C

Parameter	Symbol	Condition	Min	Typ	Max	Unit
Forward Voltage DC	VF	IF = 30mA	10	12	16	V
Color Coordinates	x, y	IF = 30mA	--	0.420	--	x
			--	0.420	--	y
Color Temperature	°K	--	--	3000	--	°K
Luminous Flux	φV	IF = 30mA	--	21	--	Lm
Recommend Forward Voltage	(rec)	--	--	12	--	VOLTS

<p>METRIC THIRD ANGLE PROJECTION</p>	<p>DIMENSIONS ARE IN MILLIMETERS (INCH) TOLERANCE UNLESS OTHERWISE SPECIFIED 1 PL +/- REF. 2 PL +/- ANGLE +/- 0</p>	<p>JKL COMPONENTS CORPORATION</p>					
		<p>TITLE T-1 3/4 FLATWEDGE 12V DC, 3 LED, WARM WHITE</p>					
<p>DRAWN BY L. WENGSTROM</p>	<p>APPV'D BY L.R.</p>	<p>DATE 6/22/10</p>	<p>SIZE A</p>	<p>FSCM NO. 55335</p>	<p>DRAWING NO. LEFW-F12</p>		
<p>- CAD DRAWING - MANUAL REVISIONS NOT PERMITTED</p>			<p>SCALE NONE</p>	<p>RELEASED DATE 10/8/08</p>	<p>REVISION DATE 6/22/10</p>	<p>REV. NO. A</p>	<p>SHEET 1 OF 1</p>

Mouser Electronics

Authorized Distributor

Click to View Pricing, Inventory, Delivery & Lifecycle Information:

[JKL Components:](#)

[LEFW-F12](#)