

THIS DRAWING IS UNPUBLISHED.

RELEASED FOR PUBLICATION FEB ,2006.

© COPYRIGHT 2006 By -

ALL RIGHTS RESERVED.

LOC	DIST	REVISIONS					
E	B	P	LTR	DESCRIPTION	DATE	DWN	APVD
		D		ECR-14-011285	28SEP2014	RZ	MY

- NOTES:
- 1 PACKAGE ONE COMPLETE CONNECTOR IN HEAT SEALED, LABELED BAG/ 200 PER SHIPPING BOX. LABELED PER TEC-107-115.
  - 2 100 TRAY PACK IN ACCORDANCE WITH AMP SPEC 107-3275
  - 3 Au PLATING
  - 4 Ni PLATING
  - 5 THIS ITEM MUST BE WHITE

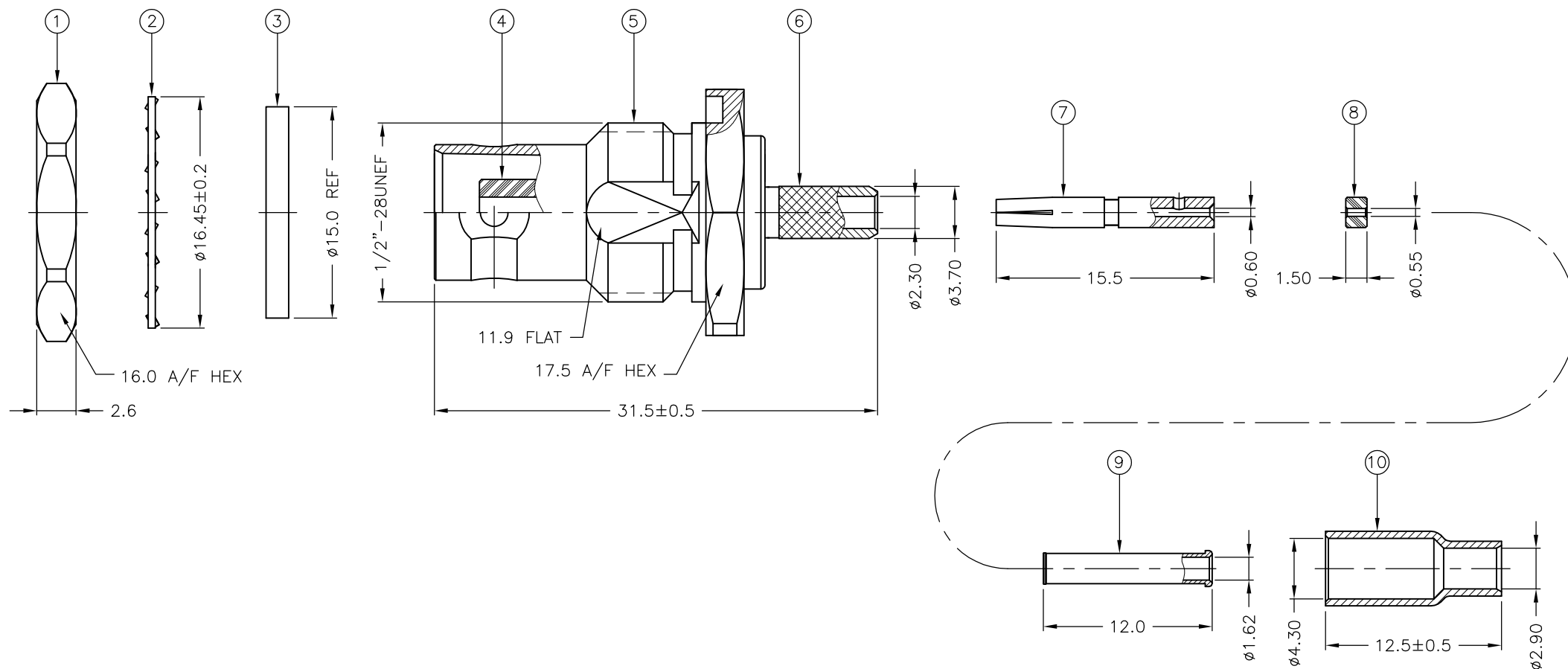
6 HAND TOOL : 9-1478240-0

7 DIE SET : 9-1478245-0

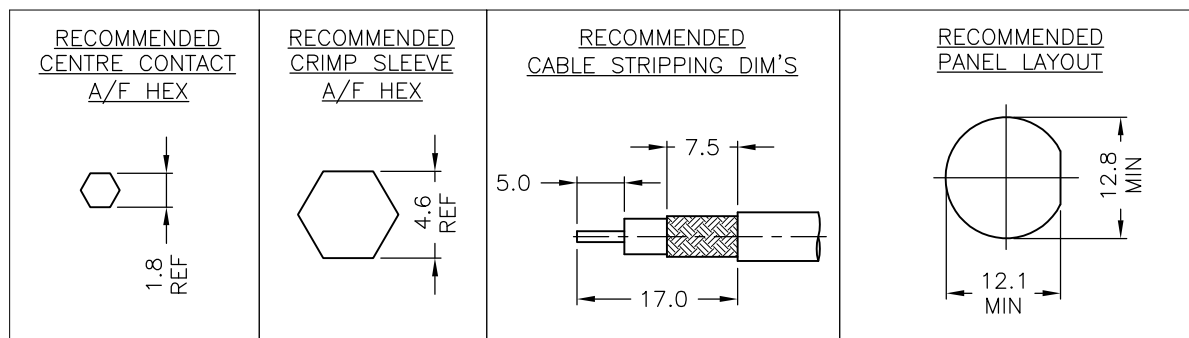
- 8 ELECTRICAL CHARACTERISTICS
- |                               |                            |
|-------------------------------|----------------------------|
| FREQUENCY RANGE:              | DC - 4 GHz                 |
| NOMINAL IMPEDANCE:            | 50 Ohm                     |
| INSULATION RESISTANCE:        | 5000 MOhm                  |
| WORKING VOLTAGE:              | 500 Volts RMS at Sea Level |
| DIELECTRIC WITHSTAND VOLTAGE: | 1500 Volts RMS Max         |
| CONTACT RESISTANCE:           |                            |
| CENTER CONTACT:               | 1.50 mOhm Max              |
| OUTER CONTACT:                | 1.00 mOhm Max              |
| VSWR @ 4GHz:                  | 1.65:1 Max                 |
| INSERTION LOSS dB @ x 3 GHz:  | 0.20 Max                   |

- 9 MECHANICAL CHARACTERISTICS
- |                               |                |
|-------------------------------|----------------|
| CABLE RETENTION FORCE:        | 43.5N Min      |
| MOUNT NUT RECOMMENDED TORQUE: | 4 Nm           |
| DURABILITY:                   | 500 Cycles Min |

- 10 ENVIRONMENTAL CHARACTERISTICS
- |                        |                  |
|------------------------|------------------|
| OPERATING TEMPERATURE: | -65 to +165 DegC |
|------------------------|------------------|



QTY	UNIT	MATERIAL	DESCRIPTION	ITEM
1	1	BRASS	FERRULE	10
1	1	BRASS	SLEEVE	9
1	1	PTFE	INSULATOR	8
1	1	PHOSPHOR BRONZE	CONTACT	7
1	1	BRASS	BODY II	6
1	1	BRASS	BODY I	5
1	1	PTFE	INSULATOR	4
1	1	SILICONE	GASKET	3
1	1	BRASS	LOCKWASHER	2
1	1	BRASS	HEX NUT	1
6--0	1--0	MATERIAL	DESCRIPTION	ITEM



THIS DRAWING IS A CONTROLLED DOCUMENT.

DWN	J.SANDWELL	01FEB06
CHK	S.PARLOW	01FEB06
APVD	F.WHEELER-KING	01FEB06
PRODUCT SPEC	108-112000	
APPLICATION SPEC		
WEIGHT	-	

**STE** TE Connectivity

NAME: BNC BULKHEAD JACK REAR MOUNT CRIMP 50 OHM RG174A/U, 188A/U, 316/U, URM95, KX3B, KX22A

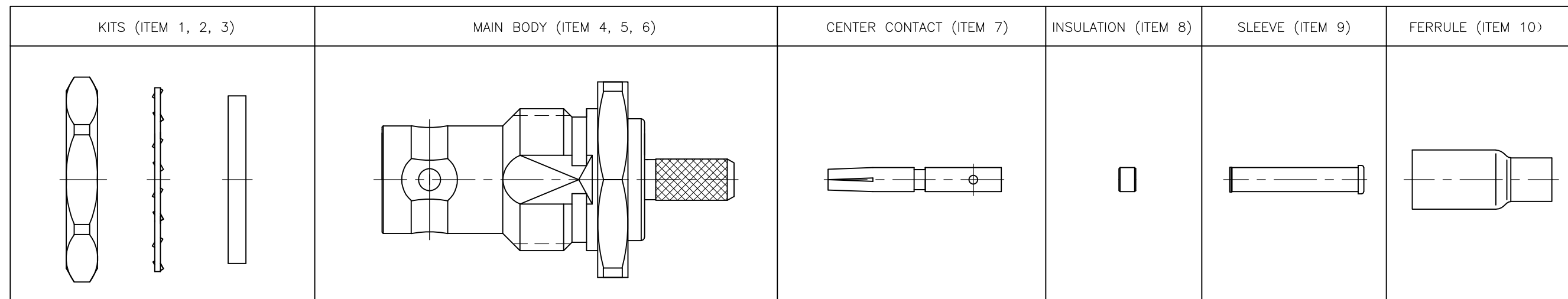
SIZE	CAGE CODE	DRAWING NO	RESTRICTED TO
A3	00779	C-1337548	-

CUSTOMER DRAWING      SCALE NTS      SHEET 1 OF 2      REV D

THIS DRAWING IS UNPUBLISHED. RELEASED FOR PUBLICATION FEB .2006.  
 © COPYRIGHT 2006 By - ALL RIGHTS RESERVED.

LOC	DIST	REVISIONS					
E	B	P	LTR	DESCRIPTION	DATE	DWN	APVD
		D		ECR-14-011285	28SEP2014	RZ	MY

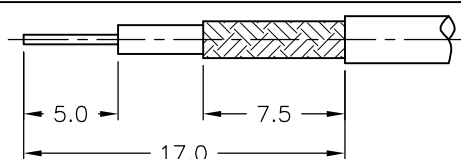
COMPONENTS



ASSEMBLY INSTRUCTIONS

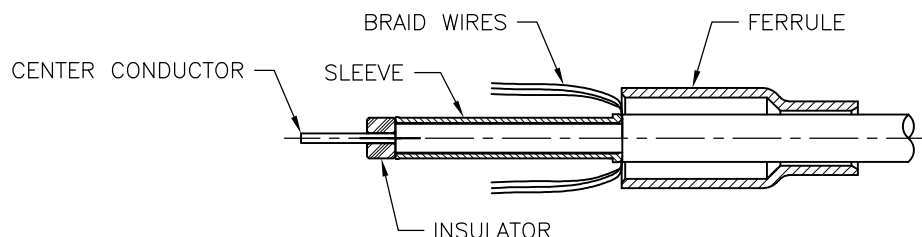
**STEP 1: PREPARATION OF CABLE**

1. TRIM CABLE TO DIMENSIONS SHOWN. BE CAREFUL TO AVOID NICKING THE BRAID.
2. REMOVE ANY RESIDUAL PLASTIC FROM CENTER CONDUCTOR.



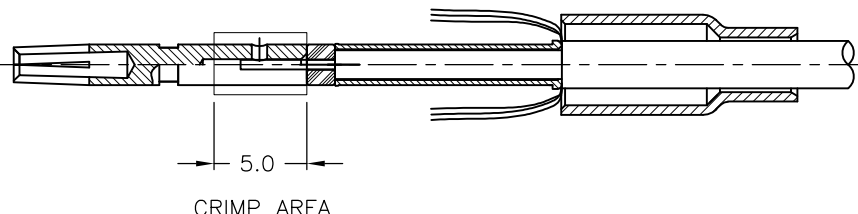
**STEP 2: ASSEMBLE FERRULE, SLEEVE AND INSULATOR TO CABLE**

1. SLIDE FERRULE ONTO JACKET OF CABLE AS SHOWN,
2. FLARE THE BRAID WIRES, AND SLIDE SLEEVE ONTO DIELECTRIC OF CABLE AS SHOWN.
3. SLIDE INSULATOR ONTO CENTER CONDUCTOR OF CABLE.



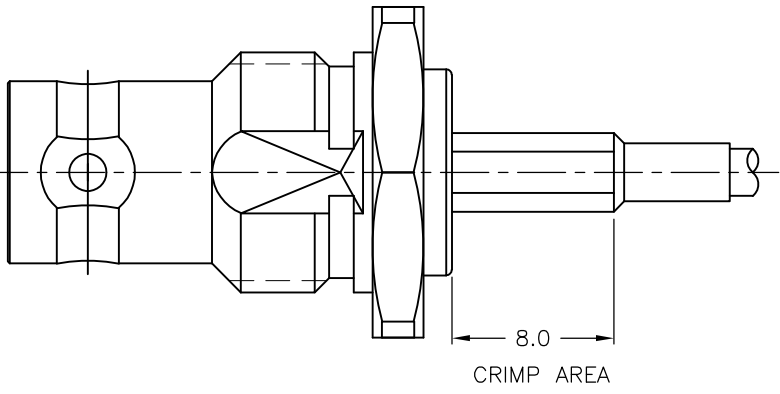
**STEP 3: CRIMP/SOLDERING CENTER CONTACT TO CABLE**


1. INSERT STEP 2 CABLE ASSEMBLY INTO CENTER CONTACT.
2. USING 1.8 (.071") HEX CRIMP TOOLING, OR SOLDERING CENTER CONTACT WITH CABLE.
3. PAY ATTENTION TO THE CRIMP AREA.



**STEP 4: CRIMP FERRULE TO CABLE**

1. INSERT STEP 3 CABLE ASSEMBLY INTO CONNECTOR BODY UNTIL CENTER CONTACT IS SEATED WITH ALL BRAID WIRES ON OUTSIDE OF CONNECTOR BODY.
2. SLIDE FERRULE OVER BRAID WIRES AND CRIMP AS CLOSE TO BODY AS POSSIBLE USING 4.6 (.181") HEX CRIMP TOOLING. PAY ATTENTION TO THE CRIMP AREA.



THIS DRAWING IS A CONTROLLED DOCUMENT.		DWN	J.SANDWELL	01FEB06	 TE Connectivity
DIMENSIONS: mm		CHK	S.PARLOW	01FEB06	
TOLERANCES UNLESS OTHERWISE SPECIFIED:		APVD	F.WHEELER-KING	01FEB06	NAME
0 PLC ± -		PRODUCT SPEC		BNC BULKHEAD JACK REAR MOUNT CRIMP 50 OHM	
1 PLC ± -		APPLICATION SPEC		RG174A/U, 188A/U, 316/U, URM95, KX3B, KX22A	
2 PLC ± -		SIZE	A3	CAGE CODE	00779
3 PLC ± -		DRAWING NO	C-1337548		
4 PLC ± -		RESTRICTED TO	-		
ANGLES ± -		SCALE	NTS		
FINISH -		SHEET	2 OF 2		
MATERIAL	SEE TABLE	WEIGHT	-		
CUSTOMER DRAWING		REV	D		

# Mouser Electronics

Authorized Distributor

Click to View Pricing, Inventory, Delivery & Lifecycle Information:

[TE Connectivity:](#)

[1-1337548-0](#)