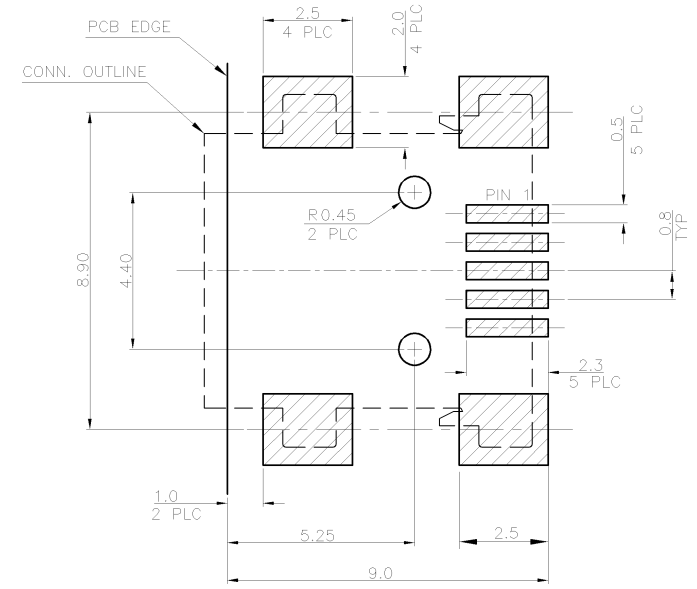
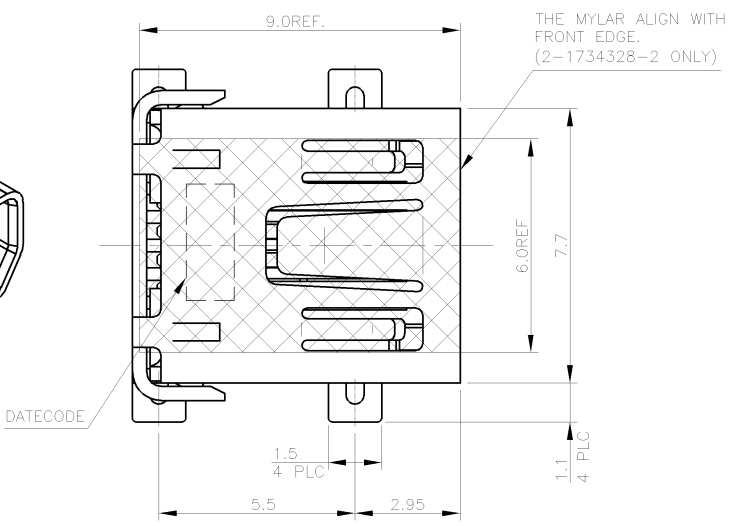
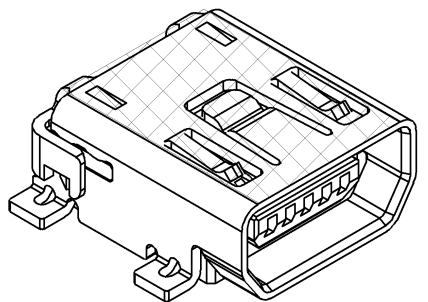
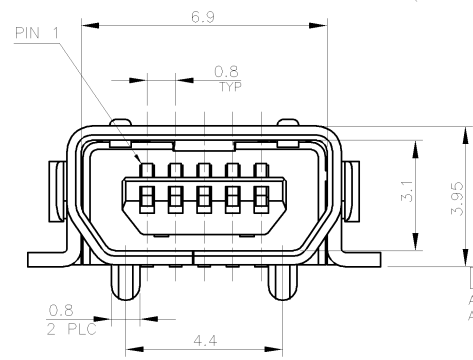
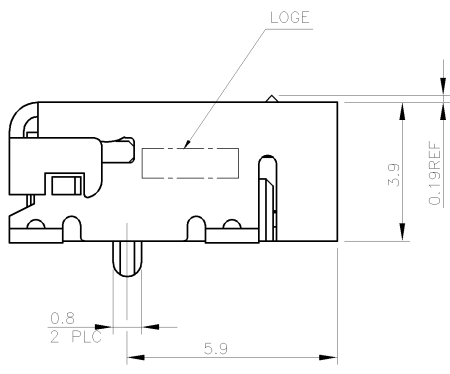
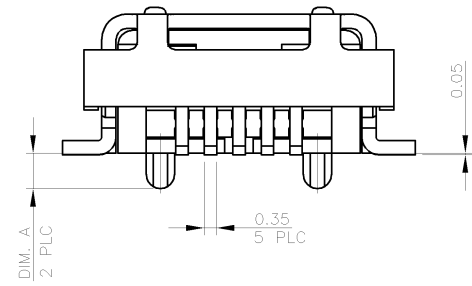


THIS DRAWING IS UNPUBLISHED. RELEASED FOR PUBLICATION AUG ,2006.
 © COPYRIGHT 2009 BY TYCO ELECTRONICS CORPORATION. ALL RIGHTS RESERVED.

LOC DW	DIST	REVISIONS			
P	LTR	DESCRIPTION	DATE	DWN	APVD
D		REVISED. (ECR-12-016806)	13DEC12	JL	WK



RECOMMENDED PCB LAYOUT (MOUNTING SIDE).
 (THICKNESS=1.6mm) (TOLERANCE=±0.05MM)



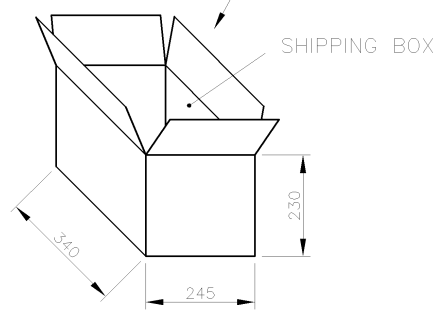
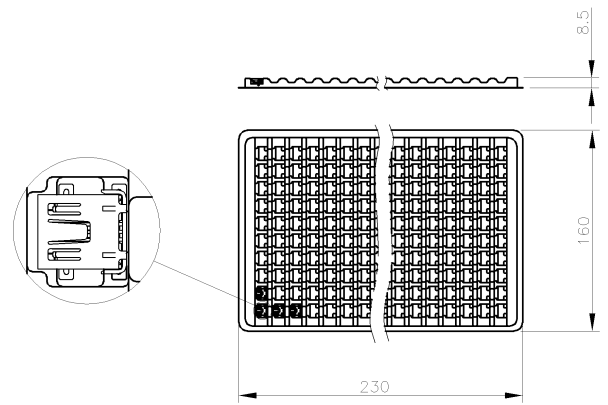
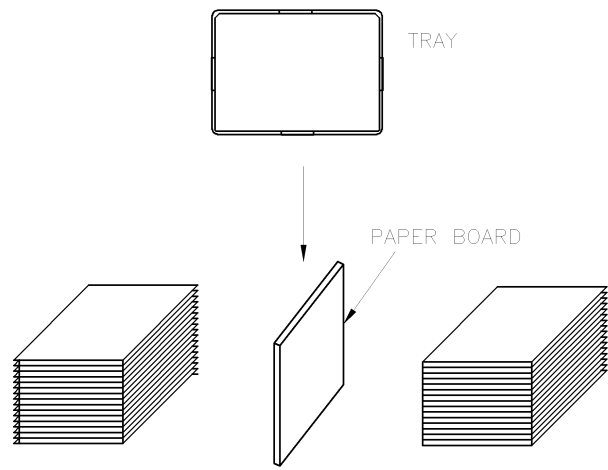
0.10
 ALL SOLDER TAILS AND PEGS

W/	1.0	REEL	2-1734328-2
W/O	0.6	REEL	1-1734328-2
W/O	0.6	TRAY	1-1734328-1
W/O	1.0	REEL	1734328-2
W/O	1.0	TRAY	1734328-1
MYLAR	DIM.A	PACKAGE	PART NUMBER

NOTE:
 1. MATERIAL:
 HOUSING: PA9T W/ 33% GF, UL 94V-0, COLOR:BLACK.
 CONTACT: PHOSPHOR BRONZE, THICKNESS:0.25±0.05mm.
 SHELL: PHOSPHOR BRONZE, THICKNESS:0.40±0.05mm.
 MYLAR: POLYESTER FILM.
 2. FINISH:
 CONTACTS: 0.762um [30u"] MIN GOLD PLATED ON CONTACT AREA,
 2.54um [100u"] MIN MATTE-TIN PLATED ON SOLDER TAILS,
 1.27um [50u"] MIN. NICKEL UNDERPLATED ALL OVER.
 SHELL : 2.032um [80u"] MIN. NICKEL PLATED ALL OVER.
 3. REFLOW SOLDER CAPABLE TO 260°C PER TE SPEC 109-201 CONDITION B.

THIS DRAWING IS A CONTROLLED DOCUMENT.		DWN F. YANG 13JUL2009	TE Connectivity	
DIMENSIONS: MM		CHK S. CHIEN 13JUL2009		
TOLERANCES UNLESS OTHERWISE SPECIFIED:		APVD W. KODAMA 13JUL2009	NAME	
0 PLC ± - 1 PLC ± 0.3 2 PLC ± 0.2 3 PLC ± 0.15 4 PLC ± - ANGLES ± 3°		PRODUCT SPEC 108-57062	MINI USB CONNECTOR, TYPE AB, RCPT, R/A, SMT TYPE	
MATERIAL SEE NOTE	FINISH SEE NOTE	APPLICATION SPEC	SIZE A3	CAGE CODE 00779
		WEIGHT 0.76 GRAMS	DRAWING NO C=1734328	
		CUSTOMER DRAWING	RESTRICTED TO	
		SCALE	SHEET 1 of 3	REV D

LOC	DIST	REVISIONS					
DW		P	LTR	DESCRIPTION	DATE	DWN	APVD
				SEE SHEET 1.			



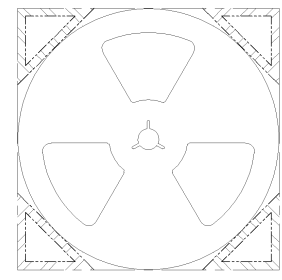
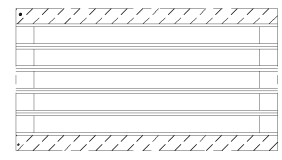
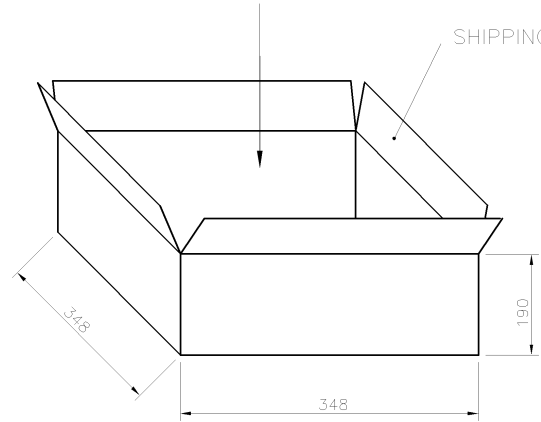
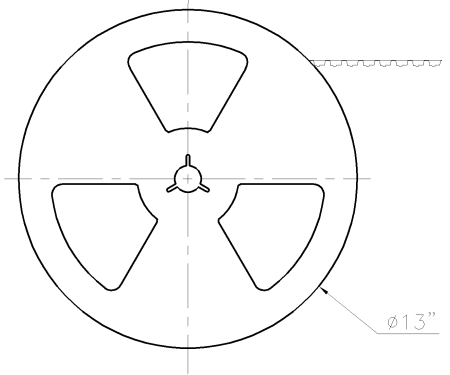
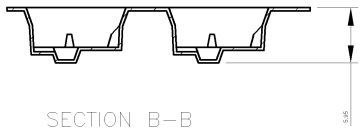
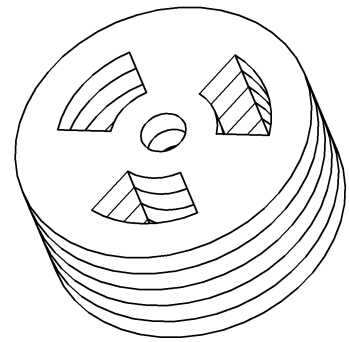
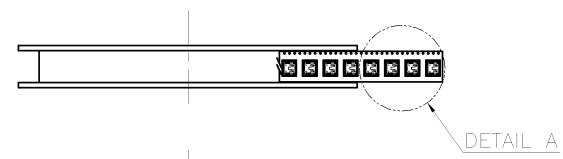
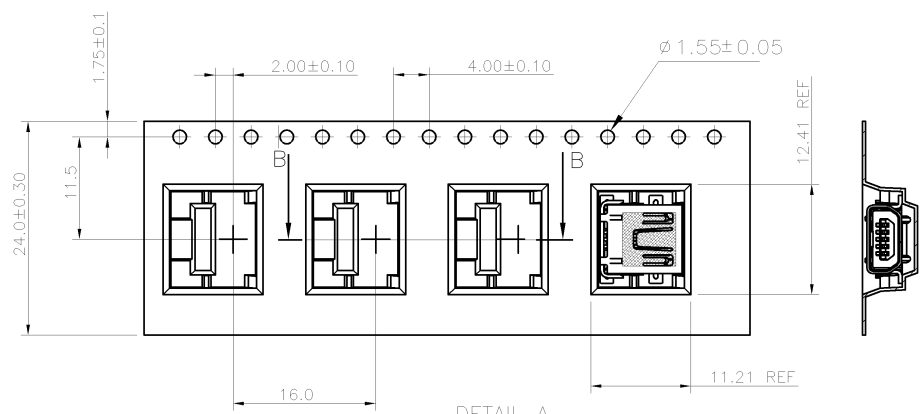
150	56	8400	9.2	6.7	1-1734328-1
PCS/TRAY	TRAYS/BOX	QUANTITY	G/W (Kg)	N/W (Kg)	PART NUMBER
					1734328-1

THIS DRAWING IS A CONTROLLED DOCUMENT.		DWN	STE TE Connectivity		
DIMENSIONS: MM		CHK			
TOLERANCES UNLESS OTHERWISE SPECIFIED:		APVD	PRODUCT SPEC		
0 PLC ± -		PRODUCT SPEC		APPLICATION SPEC	
1 PLC ± -		APPLICATION SPEC		WEIGHT	
2 PLC ± -		WEIGHT		SCALE	
3 PLC ± -		CUSTOMER DRAWING		SHEET 2 of 3	
4 PLC ± -		FINISH		REV D	
ANGLES ± -		MATERIAL		RESTRICTED TO	
		SIZE		CAGE CODE	
		DRAWING NO		PART NUMBER	
		A3		00779	
		C=1734328			

THIS DRAWING IS UNPUBLISHED. RELEASED FOR PUBLICATION AUG ,2006.

© COPYRIGHT 2009 BY TYCO ELECTRONICS CORPORATION. ALL RIGHTS RESERVED.

LOC DW	DIST	REVISIONS			
P	LTR	DESCRIPTION	DATE	DWN	APVD
		SEE SHEET 1.			



PACKING BOX

700	5	3500	6.5	5.5	2-1734328-2
					1-1734328-2
					1734328-2
PCS/REEL	REELS/BOX	QUANTITY	G/W (Kg)	N/W (Kg)	PART NUMBER

THIS DRAWING IS A CONTROLLED DOCUMENT.		DWN
DIMENSIONS: MM		CHK
TOLERANCES UNLESS OTHERWISE SPECIFIED:		APVD
0 PLC	±	PRODUCT SPEC
1 PLC	±	APPLICATION SPEC
2 PLC	±	WEIGHT
3 PLC	±	
4 PLC	±	
ANGLES	±	
MATERIAL	FINISH	

STE TE Connectivity			
NAME			
MINI USB CONNECTOR, TYPE AB, RCPT, R/A, SMT TYPE			
SIZE	CAGE CODE	DRAWING NO	RESTRICTED TO
A3	00779	C-1734328	
CUSTOMER DRAWING		SCALE	SHEET 3 of 3 REV D

Mouser Electronics

Authorized Distributor

Click to View Pricing, Inventory, Delivery & Lifecycle Information:

[TE Connectivity:](#)

[1-1734328-2](#)