

Aug.1.2021 Copyright 2021 HIROSE ELECTRIC CO., LTD. All Rights Reserved.
In case of consideration for using Automotive equipment / device which demand high reliability, kindly contact our sales window correspondents.

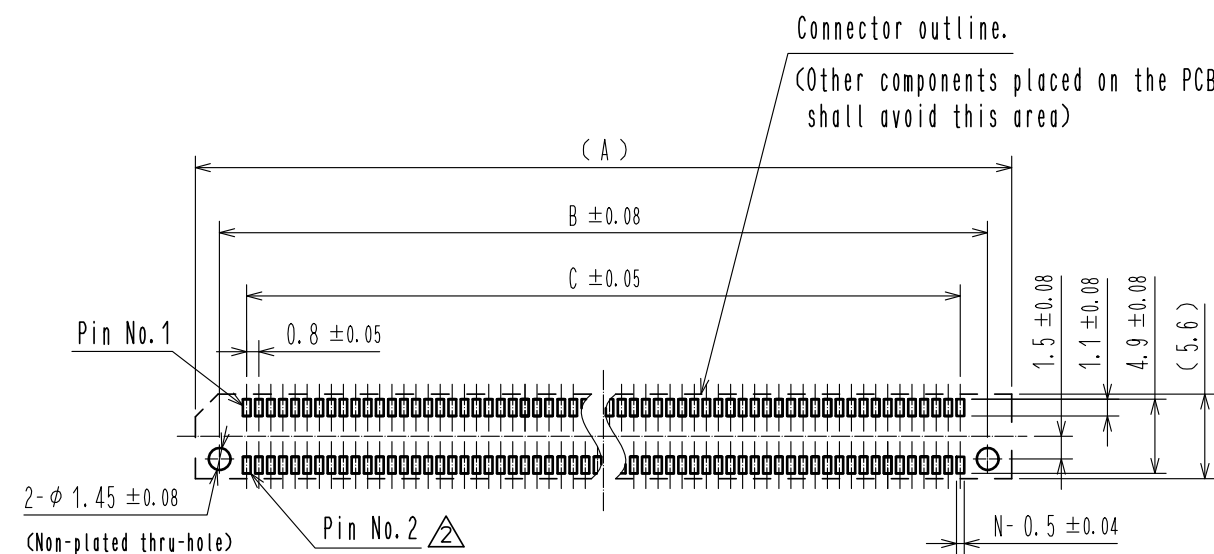
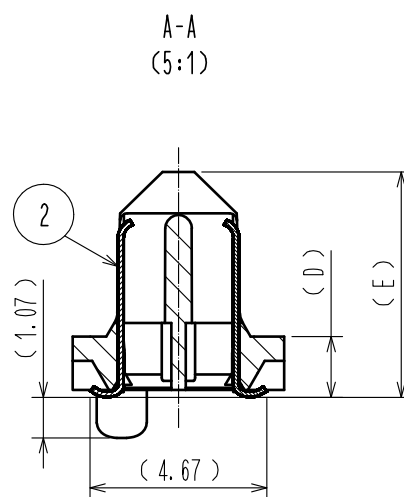
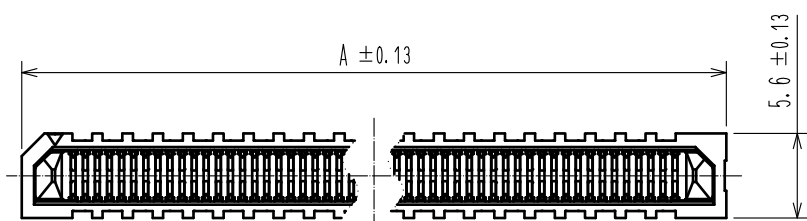


Fig.1 Recommended PCB Layout
(All dimensions are symmetric about the centerline)

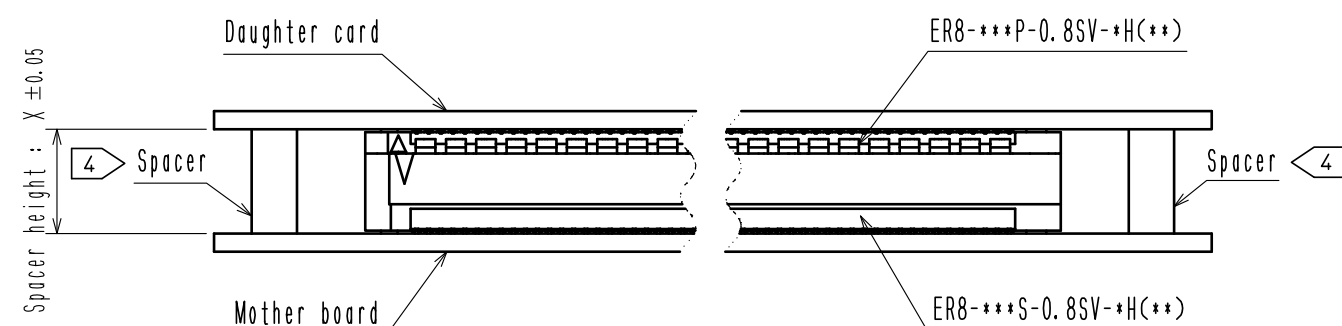
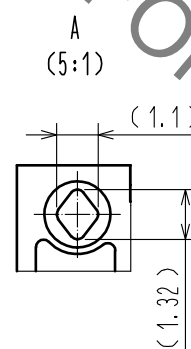
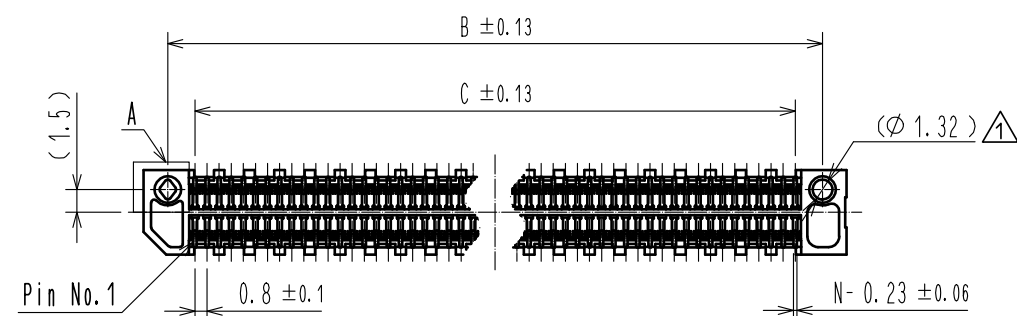
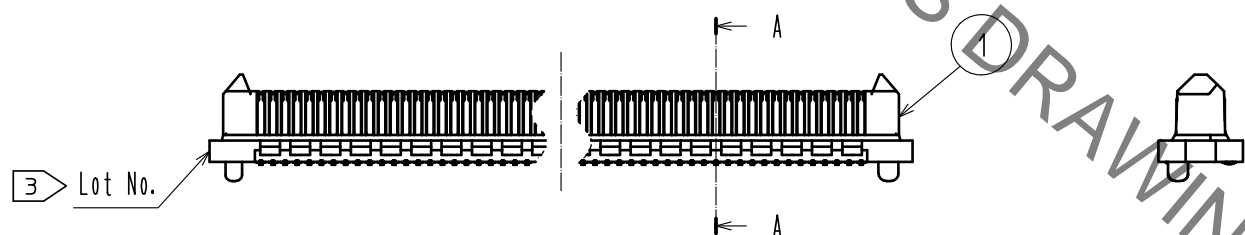


Fig.2 (Free)

- Note.
- Dimensions in parentheses () are for reference.
 - Packaging for this product applies embossed carrier tape packaging. See sheet 2/3 and 3/3 for details.
 - Lot No. shall be marked on the indicated position.
 - The indicated mother board and daughter card shall be gastened to the additional reinforcements to prevent the stress on ER8-***P-0.8SV-*H(**) and ER8-***S-0.8SV-*H(**).
 - Plating specification are below.

| Part No. | Plating specification |
|-----------------------|------------------------------------|
| ER8-***P-0.8SV-*H | CONTACT AREA : Ni2.54μm + Au0.76μm |
| | LEAD AREA : Ni1.25μm + Sn3.81μm |
| ER8-***P-0.8SV-*H(10) | CONTACT AREA : Ni1.25μm + Au0.25μm |
| | LEAD AREA : Ni1.25μm + Sn2.54μm |

| Plug | Receptacle | Spacer height (X) |
|-----------------------|-----------------------|-------------------|
| ER8-***P-0.8SV-2H(**) | ER8-***S-0.8SV-5H(**) | 7.15 |
| | ER8-***S-0.8SV-7H(**) | 9.15 |
| ER8-***P-0.8SV-5H(**) | ER8-***S-0.8SV-5H(**) | 10.15 |
| | ER8-***S-0.8SV-7H(**) | 12.15 |

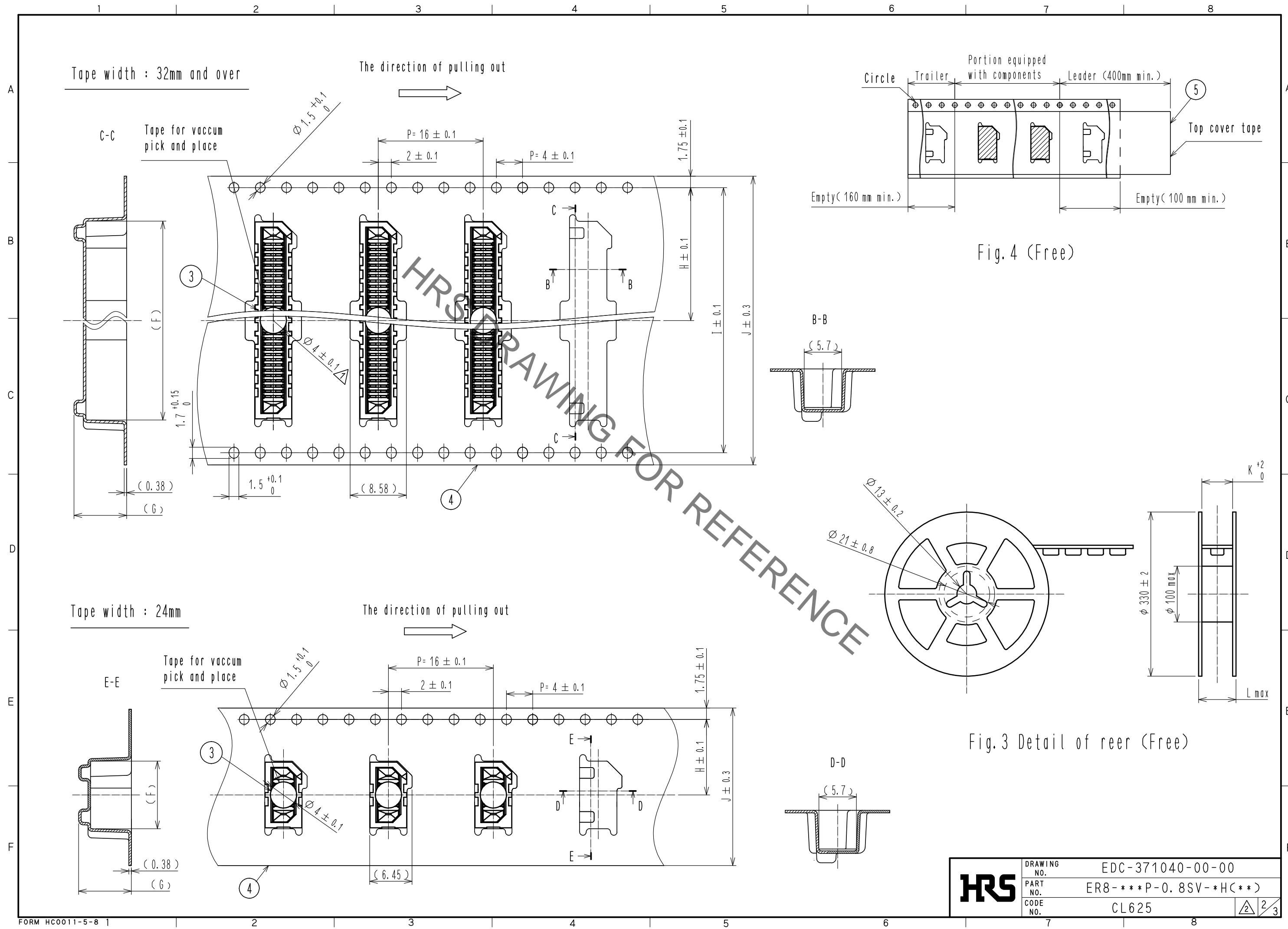
Table1 Spacer height

| NO. | MATERIAL | FINISH | REMARKS | NO. | MATERIAL | FINISH | REMARKS |
|-----|--------------|--------|----------------------------------|-----|----------|--------|-------------------------|
| 3 | POLYIMIDE | | (TAPE FOR VACCUM PICK AND PLACE) | 5 | PE | | (TOP COVER TAPE) |
| 2 | COPPER ALLOY | 5 | | 4 | PS | | (EMBOSSED CARRIER TAPE) |
| 1 | LCP | BLACK | UL94V-0 | | | | |

| UNITS | SCALE | COUNT | DESCRIPTION OF REVISIONS | DESIGNED | CHECKED | DATE |
|-------|-------|-------|--------------------------|--------------|-----------|----------|
| mm | 2 : 1 | 1 | DIS-F-00006543 | TF. SUGAWARA | NH. TAMAI | 20200826 |

| APPROVED | DATE | DRAWING NO. |
|--------------|----------|-----------------------|
| MK. EZAKI | 20160617 | EDC-371040-00-00 |
| CHECKED | DATE | PART NO. |
| MK. NAGATA | 20160617 | ER8-***P-0.8SV-*H(**) |
| DESIGNED | DATE | CODE NO. |
| TF. SUGAWARA | 20160617 | CL625 |
| DRAWN | DATE | |
| TF. SUGAWARA | 20160617 | |

Aug.1.2021 Copyright 2021 HIROSE ELECTRIC CO., LTD. All Rights Reserved.
 In case of consideration for using Automotive equipment / device which demand high reliability, kindly contact our sales window correspondents.



| | | |
|------------|-------------|-----------------------|
| HRS | DRAWING NO. | EDC-371040-00-00 |
| | PART NO. | ER8-***P-0.8SV-*H(**) |
| | CODE NO. | CL625 |
| | | 2/3 |

Aug.1.2021 Copyright 2021 HIROSE ELECTRIC CO., LTD. All Rights Reserved.
 In case of consideration for using Automotive equipment / device which demand high reliability, kindly contact our sales window correspondents.

| Part No. | Code No. | Contact positions (N) | Dimensions | | | | | | | | | | | | Co-planarity | Qty/reel |
|-----------------------|------------------|-----------------------|------------|------|------|-------|-------|------|------|------|------|----|------|------|--------------|----------|
| | | | A | B | C | D | E | F | G | H | I | J | K | L | | |
| ER8-10P-0.8SV-2H(**) | CL625-0008-8-**- | 10 | 10 | 6.8 | 3.2 | 1.605 | 5.965 | 10.3 | 8.03 | 11.5 | - | 24 | 24.4 | 30.4 | 0.1 Max | 450 |
| ER8-20P-0.8SV-2H(**) | CL625-0011-0-**- | 20 | 14 | 10.8 | 7.2 | 1.605 | 5.965 | 14.3 | 8.03 | 14.2 | 28.4 | 32 | 32.4 | 38.4 | 0.1 Max | 475 |
| ER8-30P-0.8SV-2H(**) | CL625-0012-0-**- | 30 | 18 | 14.8 | 11.2 | 1.605 | 5.965 | 18.3 | 8.03 | 20.2 | 40.4 | 44 | 44.4 | 50.4 | 0.1 Max | 475 |
| ER8-40P-0.8SV-2H(**) | CL625-0013-0-**- | 40 | 22 | 18.8 | 15.2 | 1.605 | 5.965 | 22.3 | 8.03 | 20.2 | 40.4 | 44 | 44.4 | 50.4 | 0.1 Max | 350 |
| ER8-50P-0.8SV-2H(**) | CL625-0009-0-**- | 50 | 26 | 22.8 | 19.2 | 1.605 | 5.965 | 26.3 | 8.03 | 20.2 | 40.4 | 44 | 44.4 | 50.4 | 0.1 Max | 350 |
| ER8-60P-0.8SV-2H(**) | CL625-0017-0-**- | 60 | 30 | 26.8 | 23.2 | 1.605 | 5.965 | 30.3 | 8.03 | 20.2 | 40.4 | 44 | 44.4 | 50.4 | 0.1 Max | 350 |
| ER8-70P-0.8SV-2H(**) | CL625-0021-0-**- | 70 | 34 | 30.8 | 27.2 | 1.605 | 5.965 | 34.3 | 8.03 | 26.2 | 52.4 | 56 | 56.4 | 62.4 | 0.1 Max | 350 |
| ER8-80P-0.8SV-2H(**) | CL625-0022-0-**- | 80 | 38 | 34.8 | 31.2 | 1.605 | 5.965 | 38.3 | 8.03 | 26.2 | 52.4 | 56 | 56.4 | 62.4 | 0.12 Max | 350 |
| ER8-100P-0.8SV-2H(**) | CL625-0023-0-**- | 100 | 46 | 42.8 | 39.2 | 1.605 | 5.965 | 46.3 | 8.03 | 34.2 | 68.4 | 72 | 72.4 | 89 | 0.12 Max | 350 |
| ER8-120P-0.8SV-2H(**) | CL625-0003-4-**- | 120 | 54 | 50.8 | 47.2 | 1.605 | 5.965 | 54.3 | 8.03 | 34.2 | 68.4 | 72 | 72.4 | 89 | 0.12 Max | 375 |
| ER8-10P-0.8SV-5H(**) | CL625-0024-0-**- | 10 | 10 | 6.8 | 3.2 | 4.605 | 8.905 | 10.3 | 11 | 11.5 | - | 24 | 24.4 | 30.4 | 0.1 Max | 325 |
| ER8-20P-0.8SV-5H(**) | CL625-0025-0-**- | 20 | 14 | 10.8 | 7.2 | 4.605 | 8.905 | 14.3 | 11 | 14.2 | 28.4 | 32 | 32.4 | 38.4 | 0.1 Max | 325 |
| ER8-30P-0.8SV-5H(**) | CL625-0026-0-**- | 30 | 18 | 14.8 | 11.2 | 4.605 | 8.905 | 18.3 | 11 | 20.2 | 40.4 | 44 | 44.4 | 50.4 | 0.1 Max | 325 |
| ER8-40P-0.8SV-5H(**) | CL625-0020-0-**- | 40 | 22 | 18.8 | 15.2 | 4.605 | 8.905 | 22.3 | 11 | 20.2 | 40.4 | 44 | 44.4 | 50.4 | 0.1 Max | 250 |
| ER8-50P-0.8SV-5H(**) | CL625-0027-0-**- | 50 | 26 | 22.8 | 19.2 | 4.605 | 8.905 | 26.3 | 11 | 20.2 | 40.4 | 44 | 44.4 | 50.4 | 0.1 Max | 250 |
| ER8-60P-0.8SV-5H(**) | CL625-0019-0-**- | 60 | 30 | 26.8 | 23.2 | 4.605 | 8.905 | 30.3 | 11 | 26.2 | 52.4 | 56 | 56.4 | 62.4 | 0.1 Max | 250 |
| ER8-70P-0.8SV-5H(**) | CL625-0028-0-**- | 70 | 34 | 30.8 | 27.2 | 4.605 | 8.905 | 34.3 | 11 | 26.2 | 52.4 | 56 | 56.4 | 62.4 | 0.1 Max | 250 |
| ER8-80P-0.8SV-5H(**) | CL625-0029-0-**- | 80 | 38 | 34.8 | 31.2 | 4.605 | 8.905 | 38.3 | 11 | 26.2 | 52.4 | 56 | 56.4 | 62.4 | 0.12 Max | 250 |
| ER8-100P-0.8SV-5H(**) | CL625-0030-0-**- | 100 | 46 | 42.8 | 39.2 | 4.605 | 8.905 | 46.3 | 11 | 34.2 | 68.4 | 72 | 72.4 | 89 | 0.12 Max | 250 |
| ER8-120P-0.8SV-5H(**) | CL625-0031-0-**- | 120 | 54 | 50.8 | 47.2 | 4.605 | 8.905 | 54.3 | 11 | 34.2 | 68.4 | 72 | 72.4 | 89 | 0.12 Max | 250 |

Table2 Dimensions

| | | |
|------------|-------------|-----------------------|
| HRS | DRAWING NO. | EDC-371040-00-00 |
| | PART NO. | ER8-***P-0.8SV-*H(**) |
| | CODE NO. | CL625 |

3/3

Mouser Electronics

Authorized Distributor

Click to View Pricing, Inventory, Delivery & Lifecycle Information:

[Hirose Electric:](#)

[ER8-30P-0.8SV-2H](#)