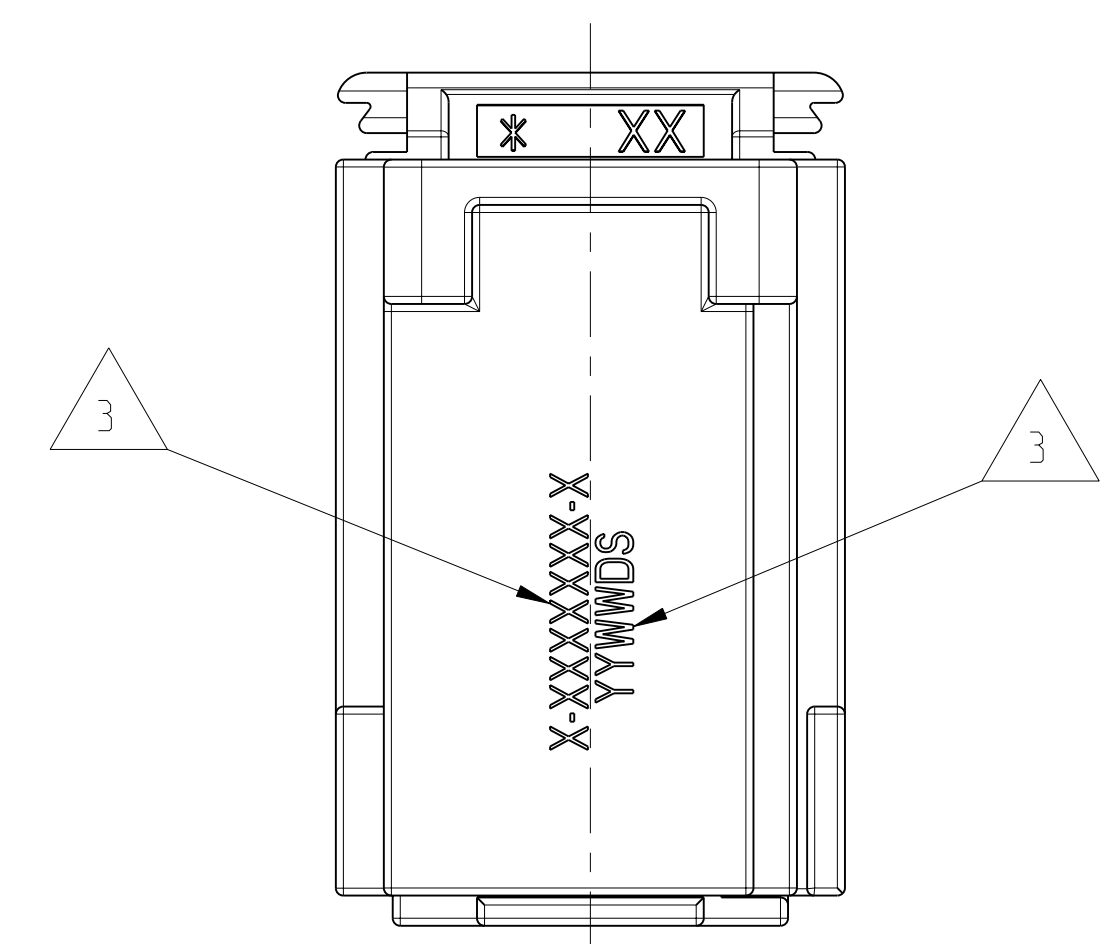
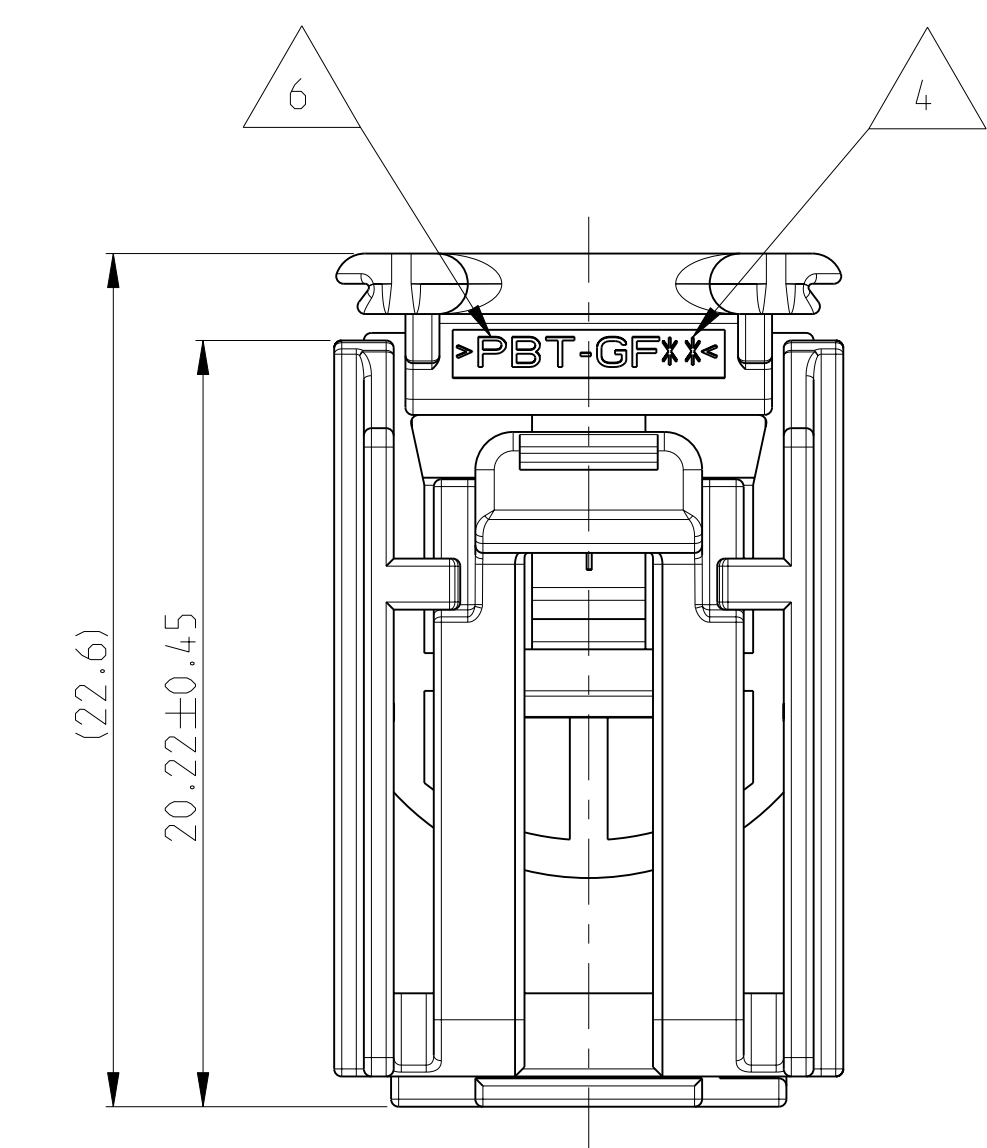
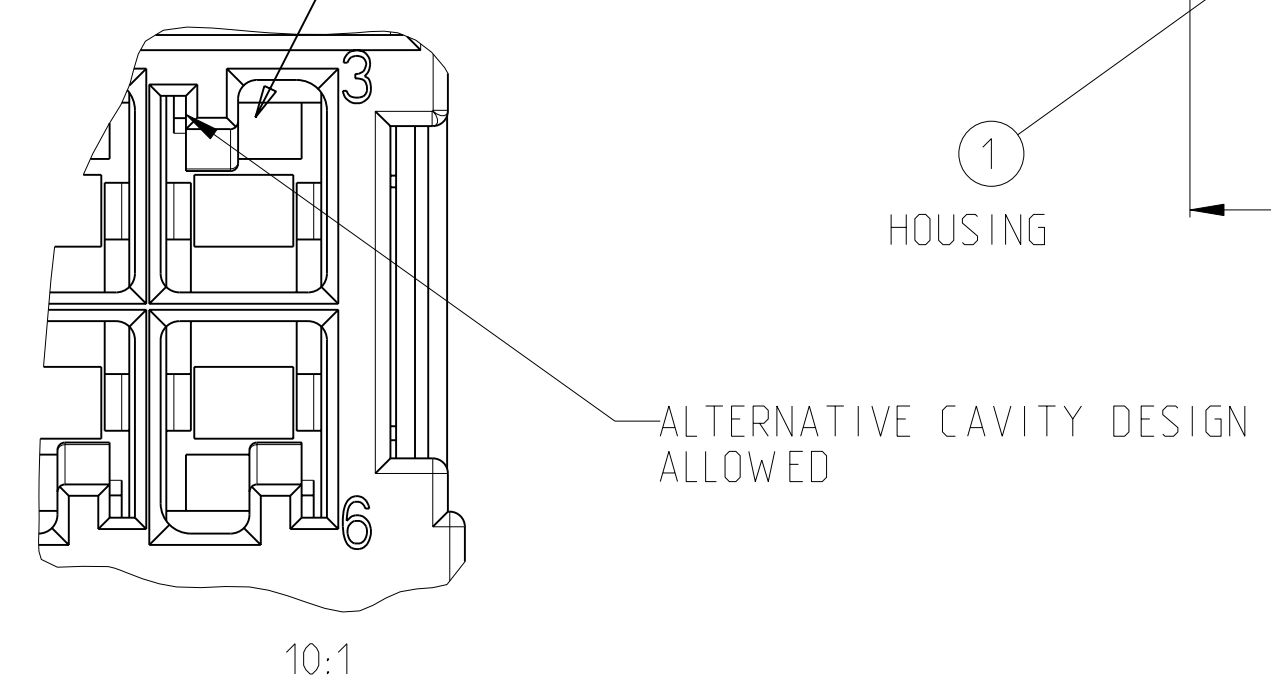
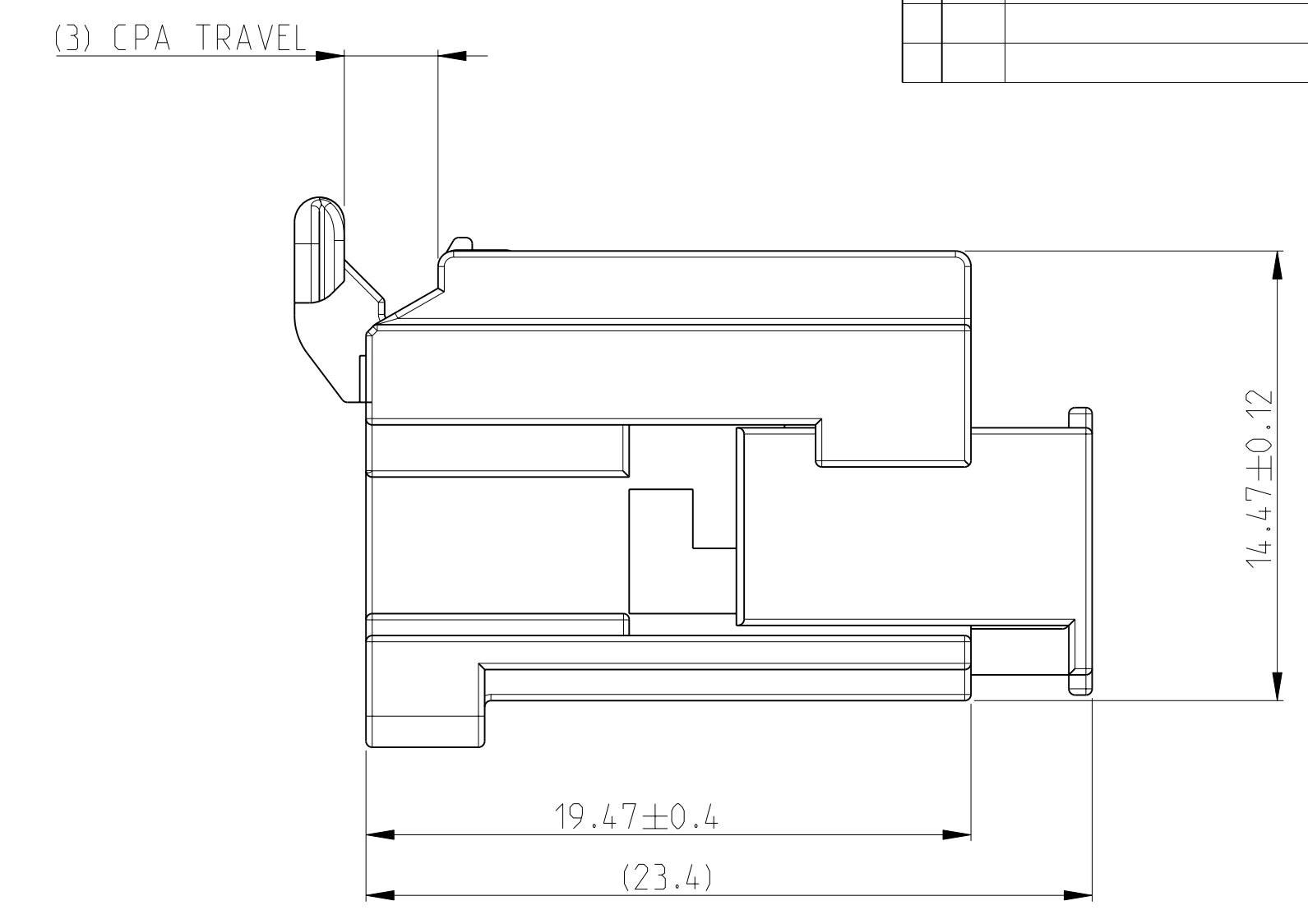
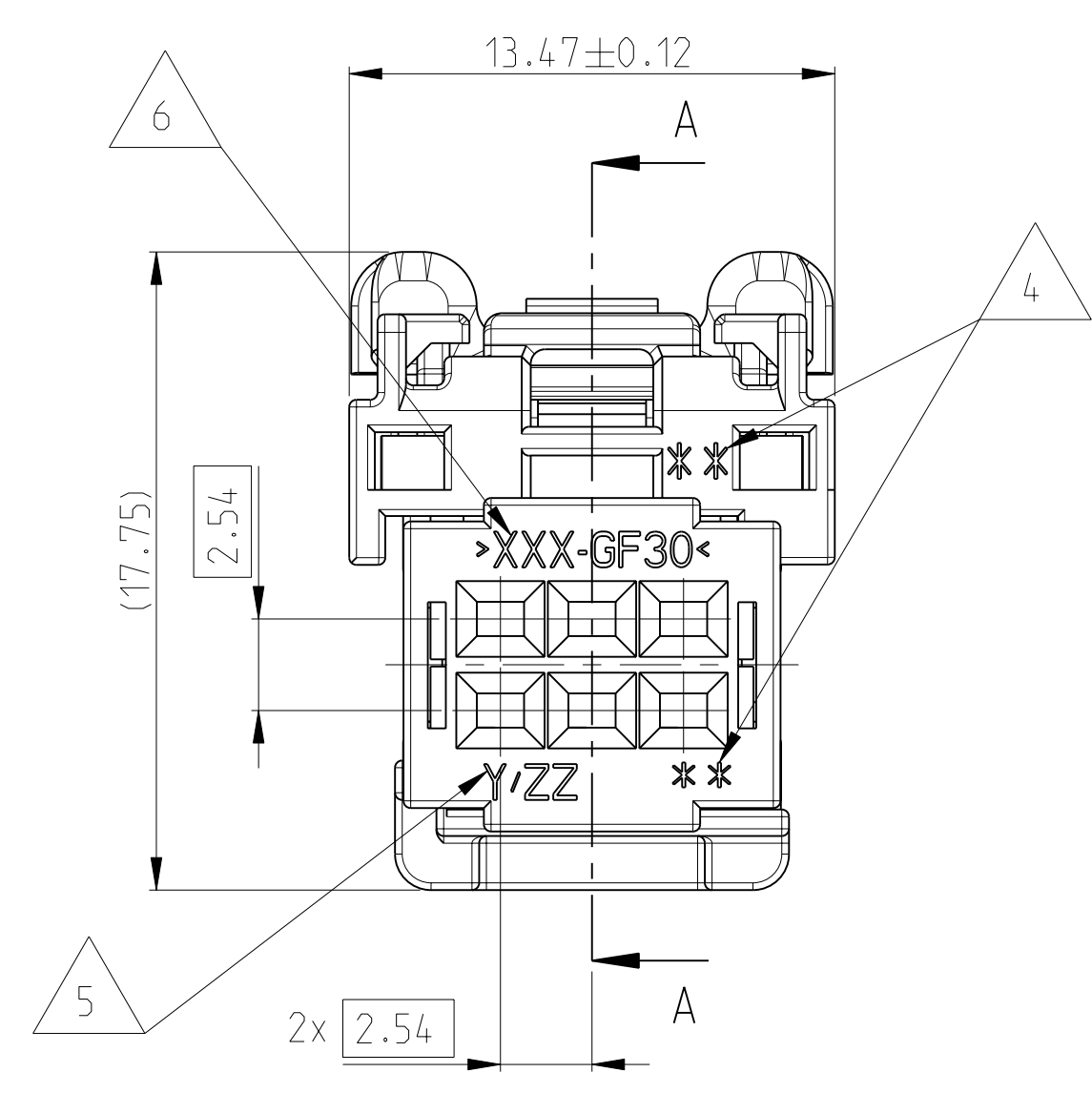
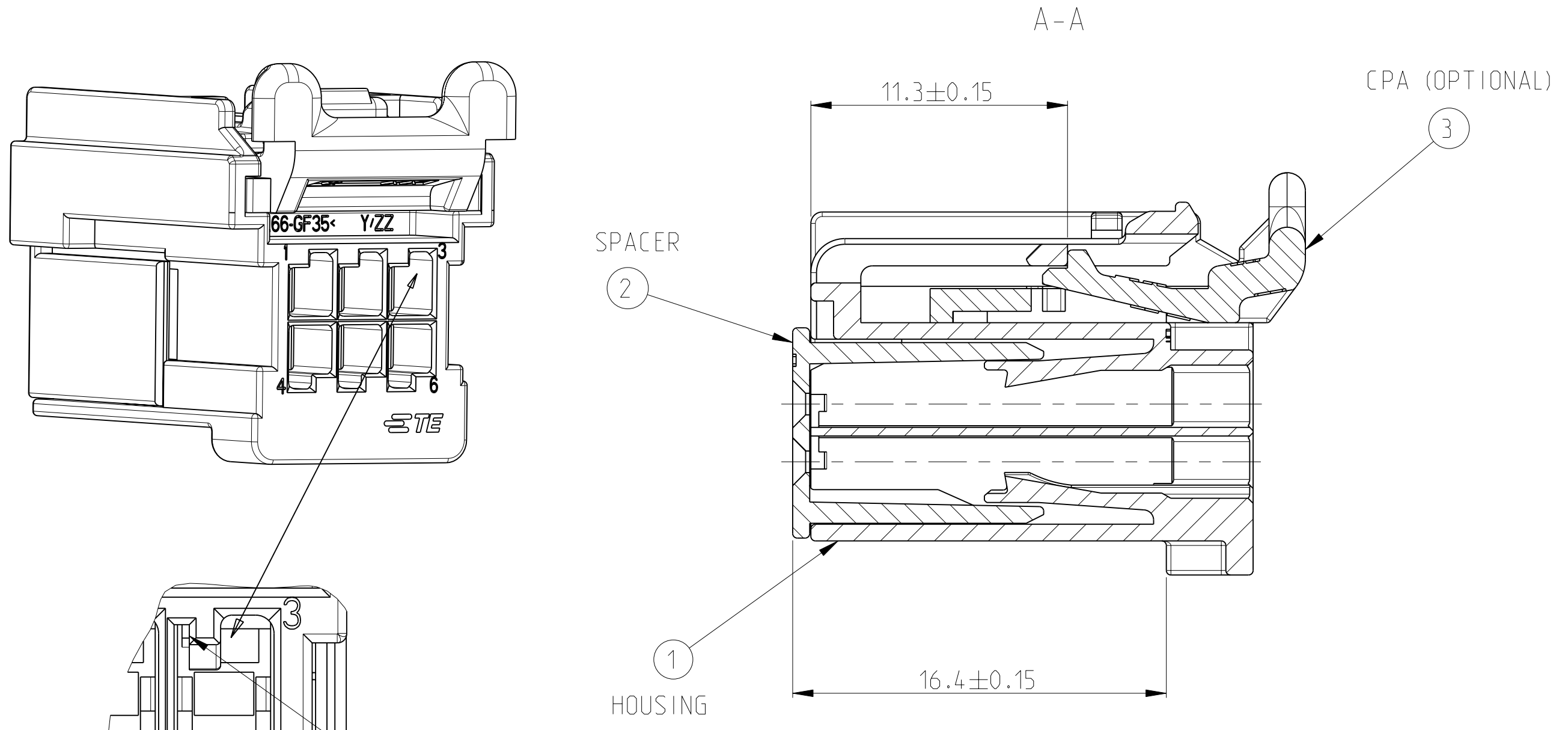
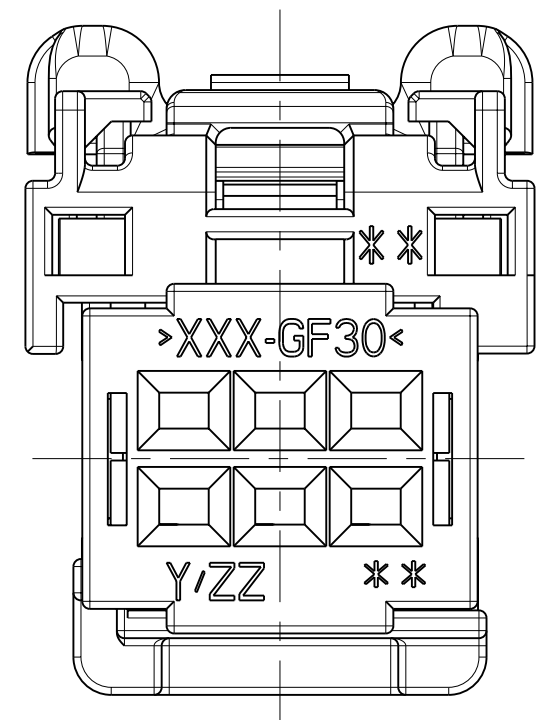


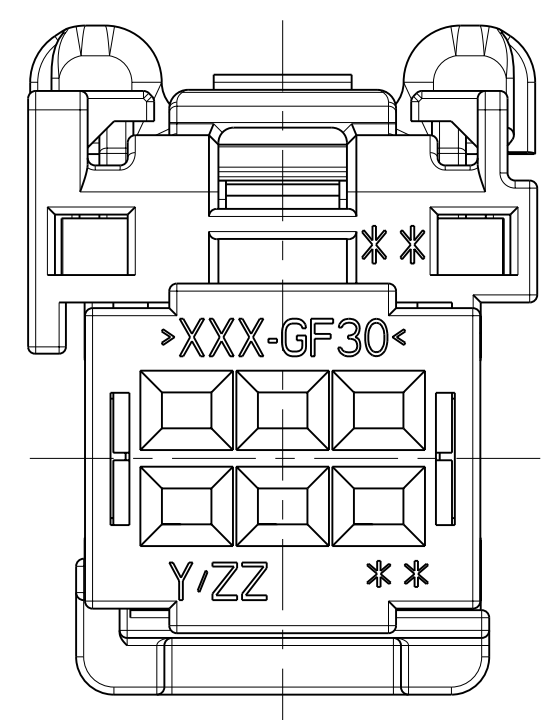
LOC	DIST	REV	DATE	BY	CHK	APPD
A1	-	D1	15MAY2011	RK	HMR	
		D2	18JULY2011	PT	HMR	



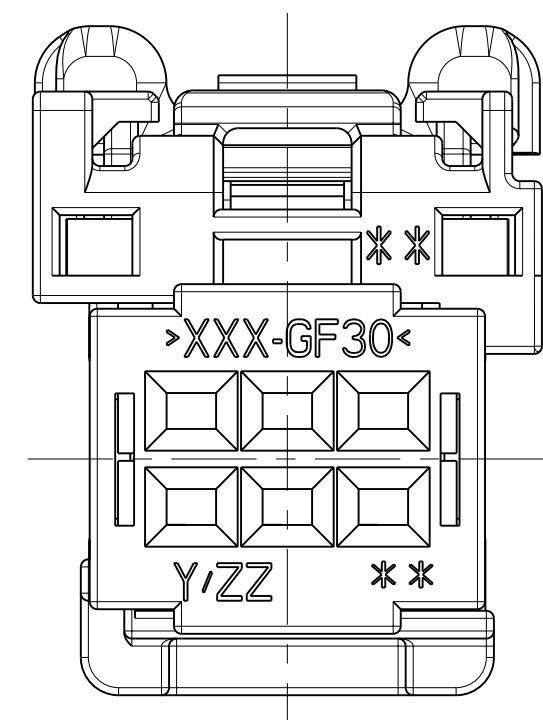
- NOTES:
- MOLD TERMINAL POSITION NUMBERS LOCATED AS SHOWN
  - DELIVERY CONDITION: SPACER AND CPA (OPTIONAL) IN PRE ASSEMBLED POSITION
  - PART NUMBER AND DATE CODE
  - PRODUCT REVISION LEVEL OPTIONAL
  - TOOL NUMBER AND CAVITY NUMBER OPTIONAL
  - MATERIAL IDENTIFICATION
  - TE- LOGO (OPTIONAL) ALTERNATIVE SUPPLIER LOGO POSSIBLE
  - INTERFACE SPEC.: 114-18546
  - KEYING OPTION A SHOWN WITH CPA
  - PACKING: CONNECTOR ASSEMBLIES PACKED ON TRAY TRAYS PACKED IN CARD BOARD BOX



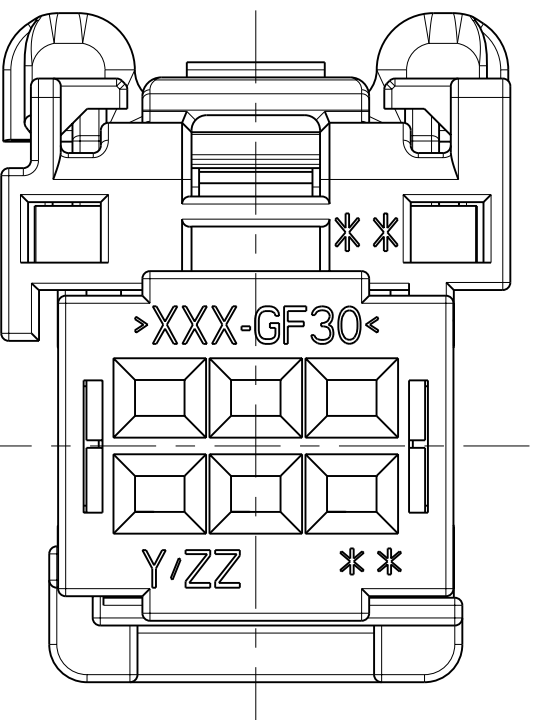
KEYING OPTION A



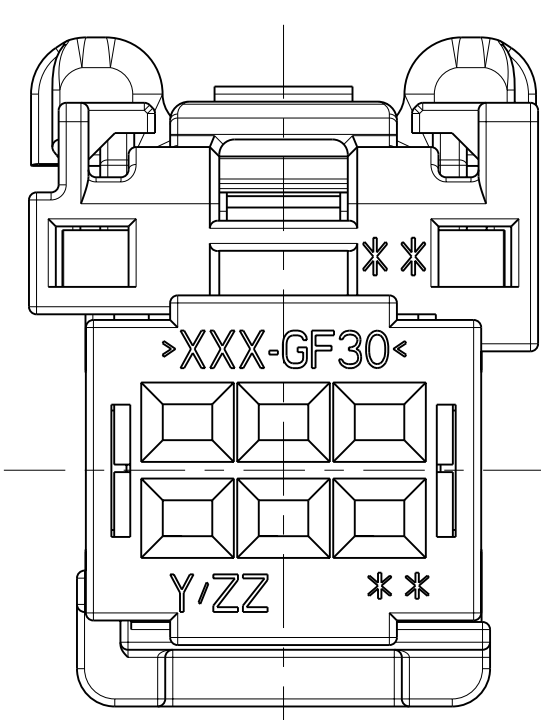
KEYING OPTION B



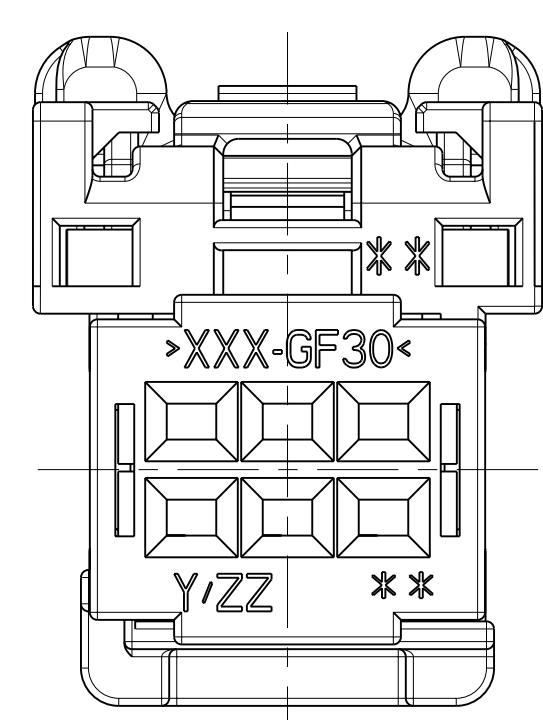
KEYING OPTION C



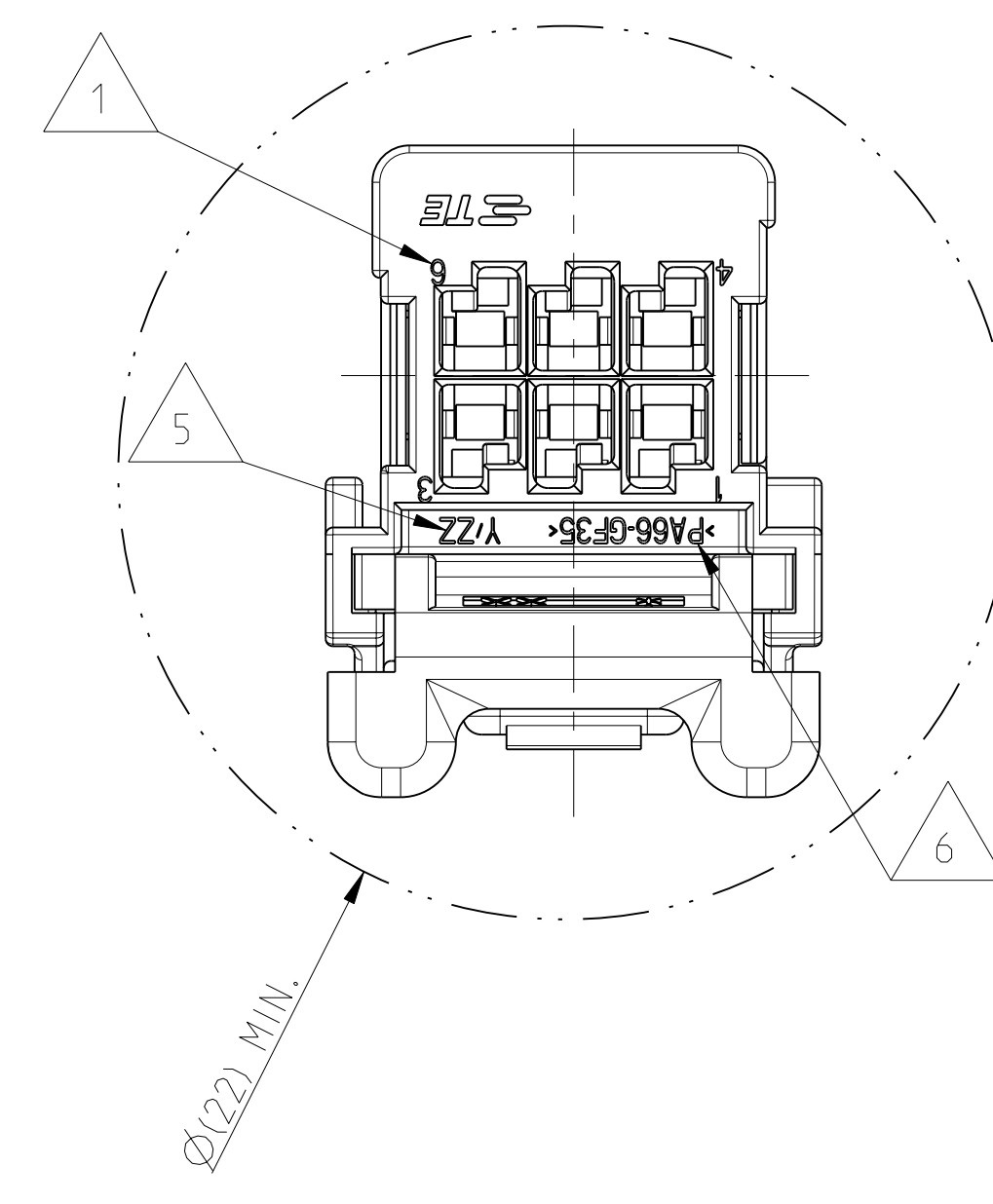
KEYING OPTION D



KEYING OPTION E



KEYING OPTION F



TE-ORDER-NUMBER	KEYING OPTIONS										CPA	RED	PBT-GF20	3					
	F	E	D	C	B	A													
TBD	9-1411325-6	TBD	9-1411325-5	1411325-4	1-1411325-4	9-1411325-4	1411325-3	1-1411325-3	9-1411325-3	1419158-6	1-1411325-2	9-1411325-2	1419158-5	1-1411325-1	9-1411325-1				
1	1	1	1	1	1	1	1	1	1	1	1	1	1	1	1	CPA	RED	PBT-GF20	3
1	1	1	1	1	1	1	1	1	1	1	1	1	1	1	1	SPACER	RED	PBT-GF30	2
													1	1		HOUSING COD. A	BLACK	PA66-GF35	1
										1	1					HOUSING COD. A	GREEN	PA66-GF35	1
																HOUSING COD. B	BLACK	PA66-GF35	1
																HOUSING COD. B	GREY	PA66-GF35	1
								1	1							HOUSING COD. C	BLACK	PA66-GF35	1
																HOUSING COD. C	BROWN	PA66-GF35	1
				1	1											HOUSING COD. D	BLACK	PA66-GF35	1
						1										HOUSING COD. D	BLUE	PA66-GF35	1
1	1															HOUSING COD. E	BLACK	PA66-GF35	1
																HOUSING COD. F	BLACK	PA66-GF35	1

THIS DRAWING IS A CONTROLLED DOCUMENT. DWN: B. Depuytere 15 JUL 1998  
 CHK: G.W. Illems 30 JUL 1998  
 APVD: B. Van Schoeck 15 JAN 2001  
 PRODUCT SPEC: -  
 APPLICATION SPEC: -  
 WEIGHT: -  
 CUSTOMER DRAWING: -

TE Connectivity  
**STE**  
 2X3 POS. GET FEMALE CONNECTOR ASSEMBLY

SIZE: A1 CAGE CODE: 00779 DRAWING NO: 1411325-3  
 SCALE: 5:1 SHEET: 1 OF 1 REV: 02

# Mouser Electronics

Authorized Distributor

Click to View Pricing, Inventory, Delivery & Lifecycle Information:

[TE Connectivity:](#)

[1419158-5](#)