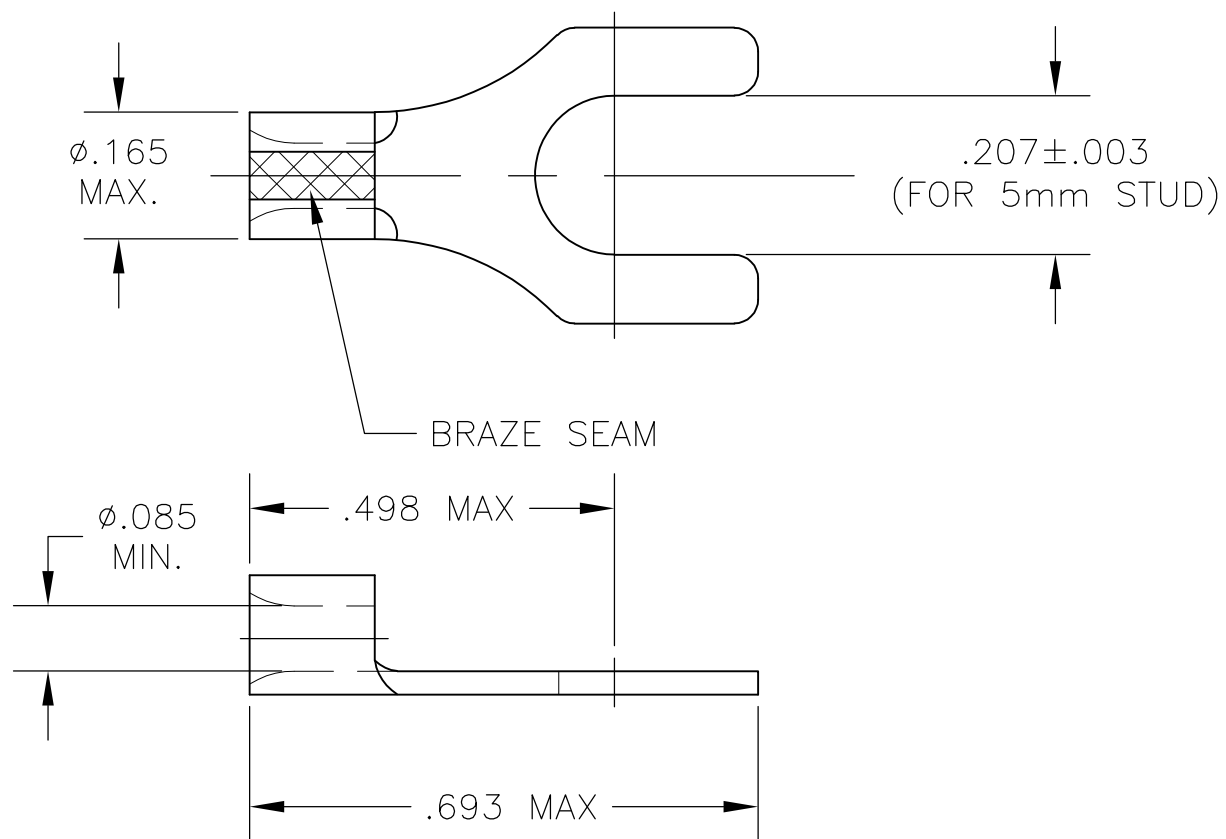


THIS DRAWING IS UNPUBLISHED. RELEASED FOR PUBLICATION

© COPYRIGHT - BY TYCO ELECTRONICS CORPORATION. ALL RIGHTS RESERVED.

LOC	DIST	REVISIONS					
G	86	P	LTR	DESCRIPTION	DATE	DWN	APVD
			B	REV PER ECR 09-025898	02DEC09	JR	TM

1 WIRE SIZE IS #16-#14 AWG



160127  
PART NO.

THIS DRAWING IS A CONTROLLED DOCUMENT.		DWN JR RUTH 10MAR06	Tyco Electronics Corporation Harrisburg, PA 17105-3608				
DIMENSIONS: INCHES		CHK T. MICHIELUTTI 10MAR06	NAME T. MICHIELUTTI				
		APVD T. MICHIELUTTI 10MAR06	PRODUCT SPEC -				
TOLERANCES UNLESS OTHERWISE SPECIFIED:		APPLICATION SPEC -		SIZE A3	CAGE CODE 00779	DRAWING NO G-160127	RESTRICTED TO -
MATERIAL COPPER, ANNEALED		FINISH TIN PLATE		WEIGHT -		CUSTOMER DRAWING	
				SCALE 4:1	SHEET 1 OF 1	REV B	

# Mouser Electronics

Authorized Distributor

Click to View Pricing, Inventory, Delivery & Lifecycle Information:

[TE Connectivity:](#)

[160127](#)