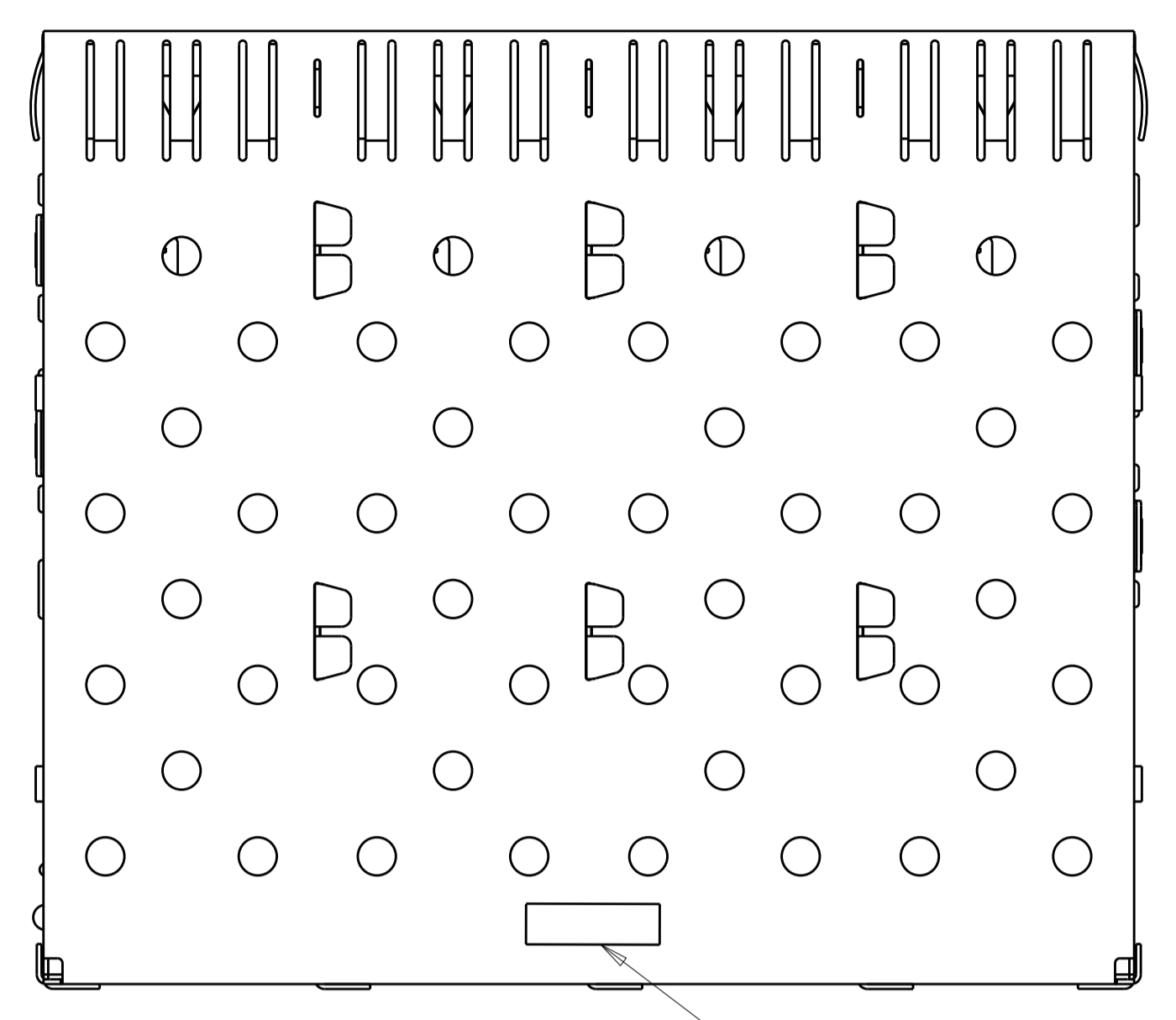
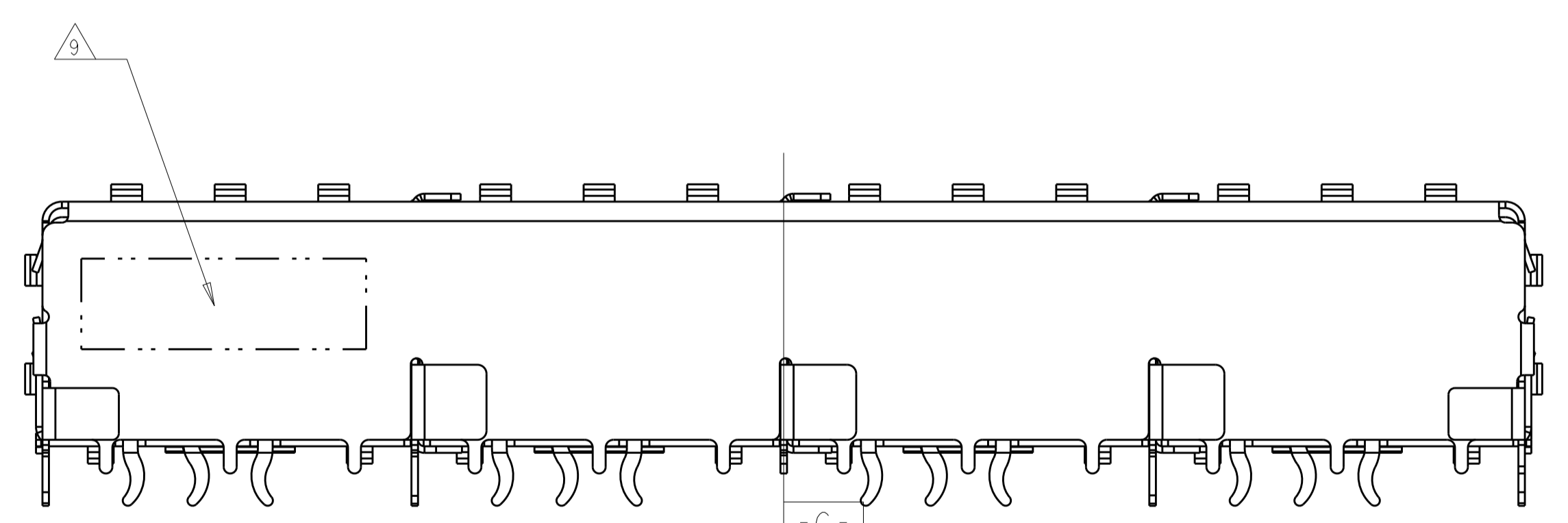
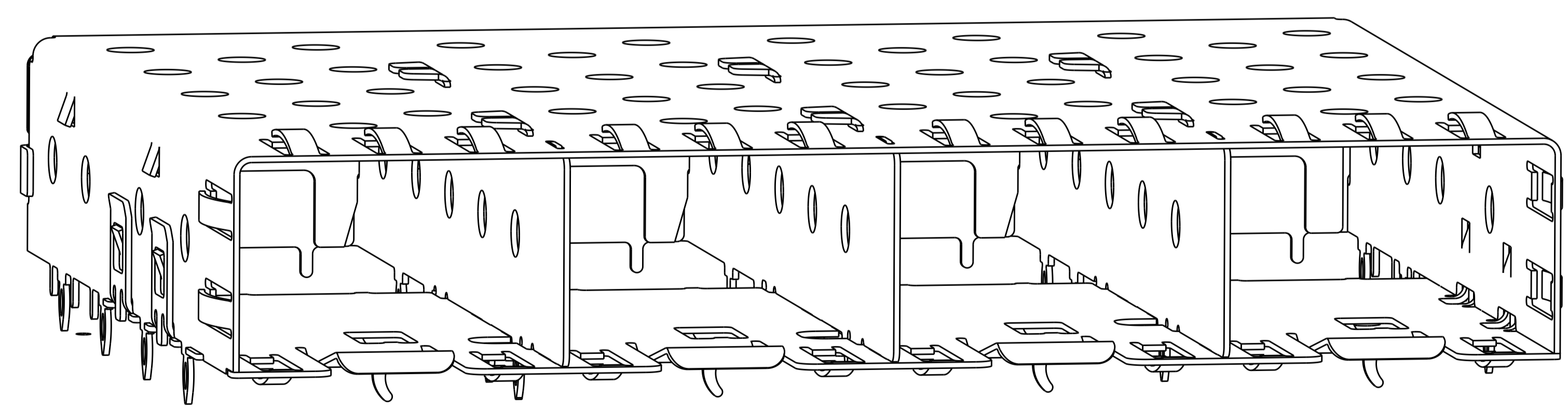
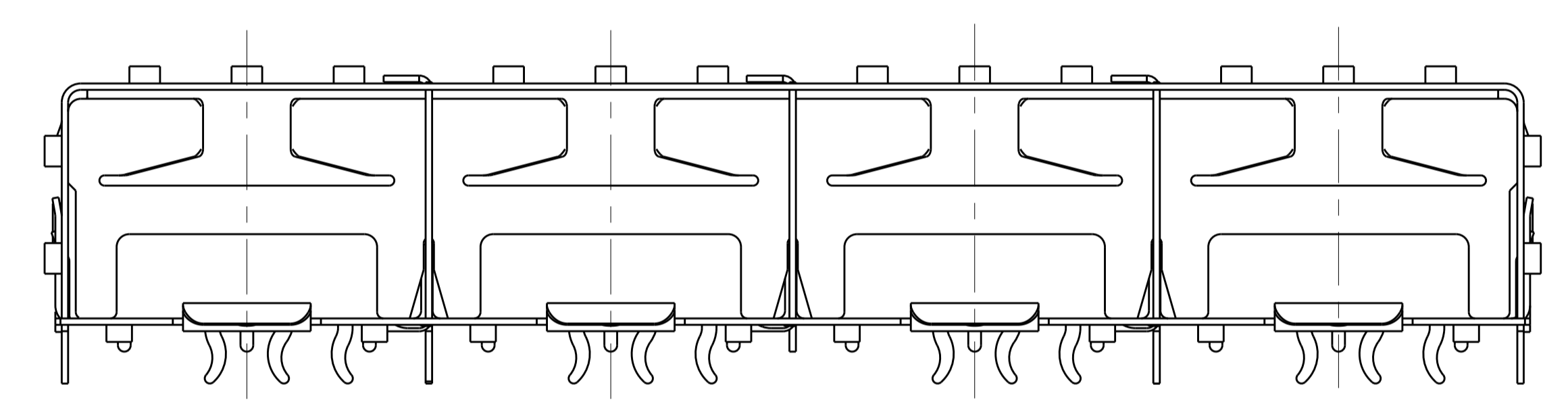
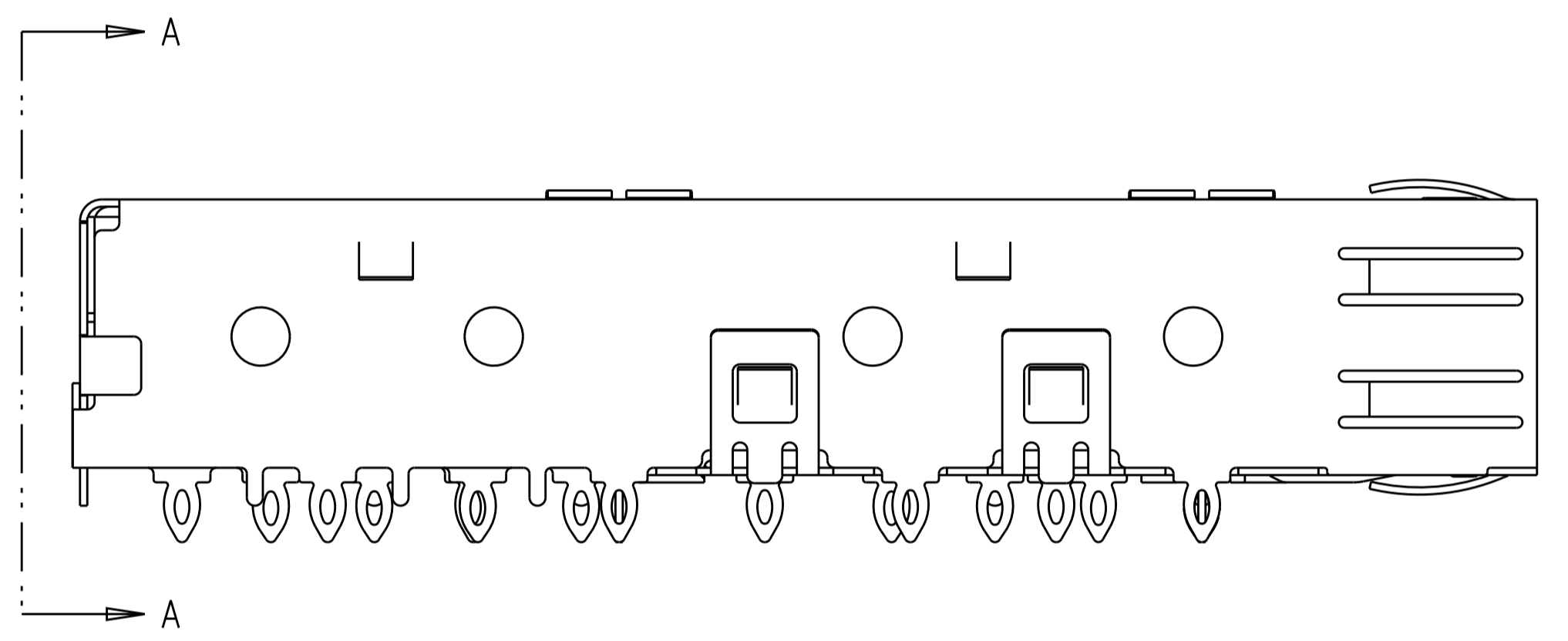


LOC	DIST	REVISIONS			
P	LTN	DESCRIPTION	DATE	DWN	APVD
H		REVISED PER ECO-12-011010	13JUN2012	JY	CW
J		REVISED PER ECO-14-000886	20FEB2014	JW	SH
J1		REVISED PER ECO-14-010419	11JUL2014	JW	SH
K		REVISED PER ECO-15-013594	22SEP2015	JW	SH



SCALE 3:1 △7

- △1 MATERIAL: 0.25 THICK COPPER ALLOY.
- △2 FINISH: TIN PLATING PER ASTM B 545, 1.25um MINIMUM THICKNESS ALL OVER NICKEL FLASH PER QQ-N-290. NONPLATED EDGES PERMISSIBLE.
- △3 PADS AND VIAS CHASSIS GROUND.
- △4 DATUM AND BASIC DIMENSION ESTABLISHED BY CUSTOMER.
- △5 REFERENCE APPLICATION SPEC 114-13120, HOLE A, FOR RECOMMENDED DRILL HOLE DIAMETER AND PLATING THICKNESSES.
- △6 REFERENCE APPLICATION SPEC 114-13120, HOLE B, FOR RECOMMENDED DRILL HOLE DIAMETER AND PLATING THICKNESSES.
- △7 COMPANY LOGO IN APPROXIMATE AREA SHOWN
- △8 PATTERN REPEATS FOR EACH PORT. SPACING BETWEEN PORTS IS 14.25 mm.
- △9 DATE CODE AND PART NUMBER IN APPROXIMATE AREA SHOWN.
- △10 MATERIAL: 0.25 THICK NICKEL SILVER ALLOY(NO PLATING).



SECTION A-A

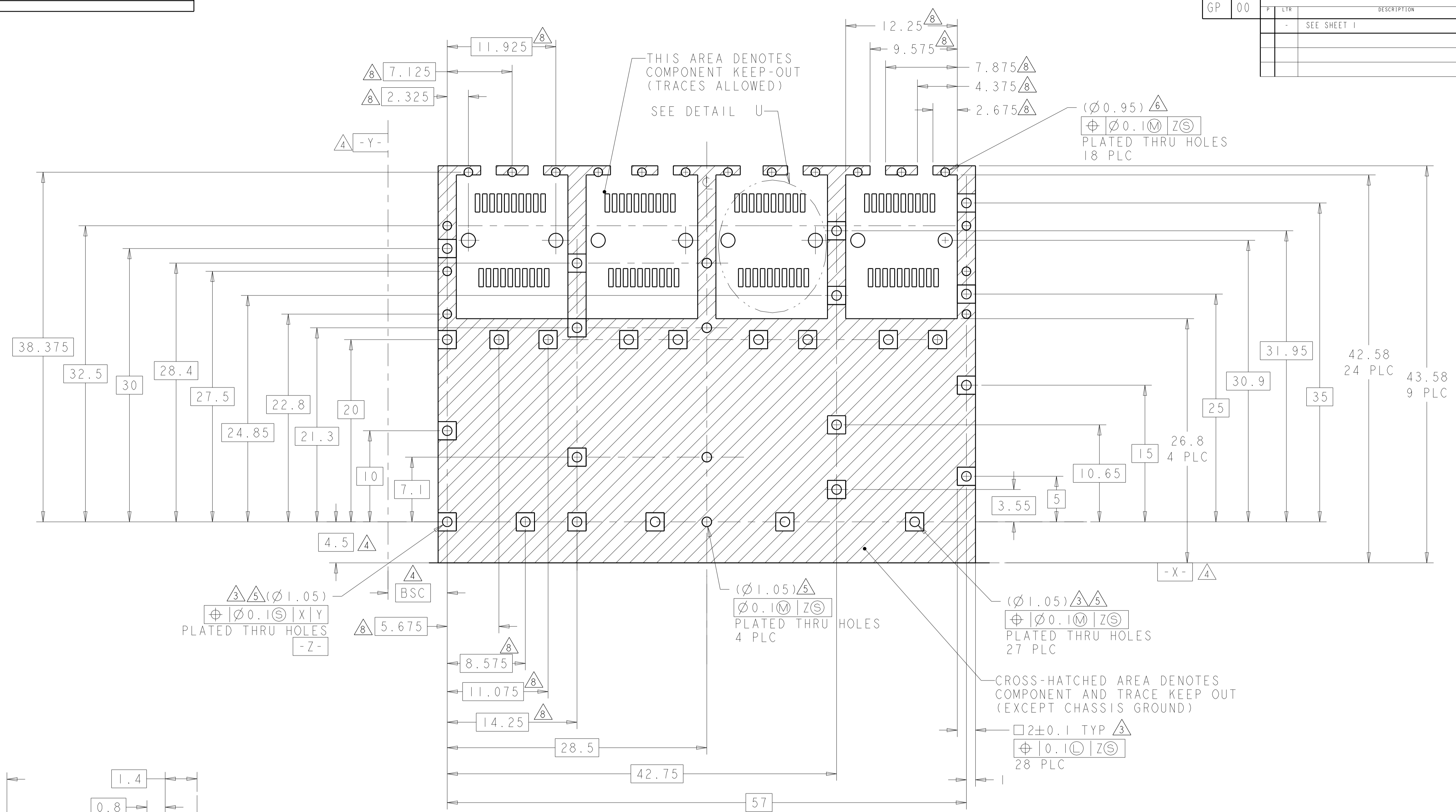
1658744-1&-3  
 1X4 CAGE ASSEMBLY  
 SCALE 6:1

**SUPERSEDED BY:**  
 1658744-3

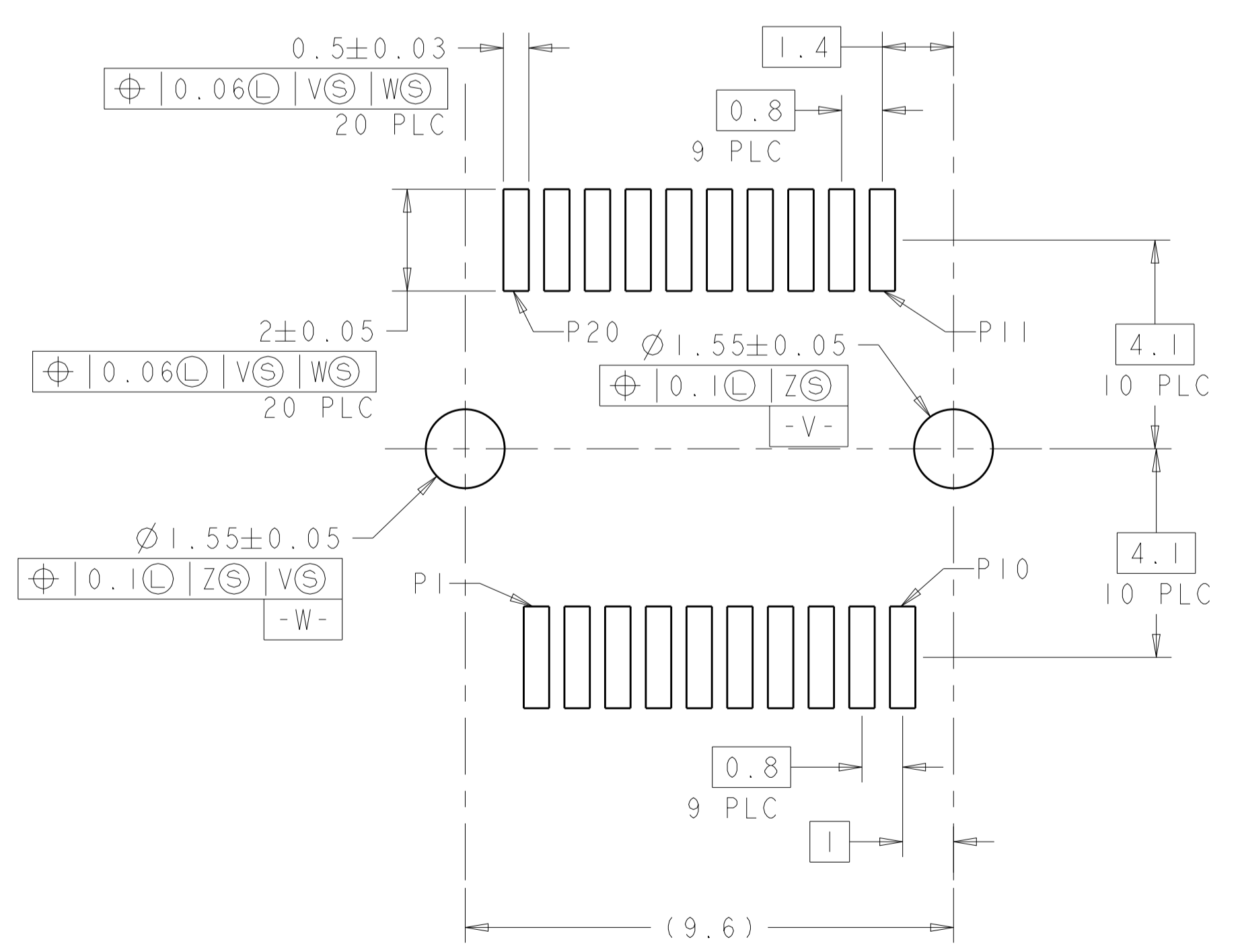
NO	△10	1X4	1658744-3
△2	△1	1X4	1658744-1
FINISH	MATERIAL	POSITION	PART NUMBER

THIS DRAWING IS A CONTROLLED DOCUMENT.		DWN	M. SHIRK	04JUN03	TE Connectivity CAGE ASSEMBLY, 1X4 PRESS FIT, SFP			
DIMENSIONS:		CHK	J. KOPPENHEFFER	06MAY04				
TOLERANCES UNLESS OTHERWISE SPECIFIED:		APVD	M. WALMSLEY	06MAY04				
mm		NAME						
0 PLC	±	PRODUCT SPEC			SIZE	CAGE CODE	DRAWING NO	RESTRICTED TO
1 PLC	±0.1	108-1950			A1	00779	C=1658744	
2 PLC	±	APPLICATION SPEC			SCALE	5:1	SHEET	1 OF 2
3 PLC	±	114-13120			Customer Drawing			REV
4 PLC	±	WEIGHT						K
ANGLES	±7°							
MATERIAL	△1							
FINISH	△2							

LOC	DIST	REVISIONS				
GP	00	P. LTH	DESCRIPTION	DATE	OWN	APVD
		-	SEE SHEET 1	-	-	-



1658744-1  
 RECOMMENDED PCB  
 CONFIGURATION  
 SCALE 4:1



DETAIL U  
 RECOMMENDED PT CONNECTOR LAYOUT  
 4X INDIVIDUALLY  
 SCALE 10:1

THIS DRAWING IS A CONTROLLED DOCUMENT.		OWN: M. SHIRK 04JUN03	TE Connectivity
DIMENSIONS: mm		CHK: J. KOPPENHEFFER 06MAY04	
TOLERANCES UNLESS OTHERWISE SPECIFIED:		APVD: M. WALMSLEY 06MAY04	NAME: CAGE ASSEMBLY, 1X4 PRESS FIT, SFP
0 PLC $\pm$ 1 PLC $\pm 0.1$ 2 PLC $\pm$ 3 PLC $\pm$ 4 PLC $\pm$ ANGLES $\pm 2^\circ$		PRODUCT SPEC: 108-1950	SIZE: A100779
MATERIAL: -		APPLICATION SPEC: 114-13120	CAGE CODE: 1658744
FINISH: -		WEIGHT: -	RESTRICTED TO: -
Customer Drawing		SCALE: 1:1	SHEET: 2 OF 2
			REV: K

# Mouser Electronics

Authorized Distributor

Click to View Pricing, Inventory, Delivery & Lifecycle Information:

[TE Connectivity:](#)

[1658744-3](#)