

REV.	DESCRIPTION	DRAWN	CHECKED	APPROVED
A	NEW RELEASE	LJH 04/12/06'		

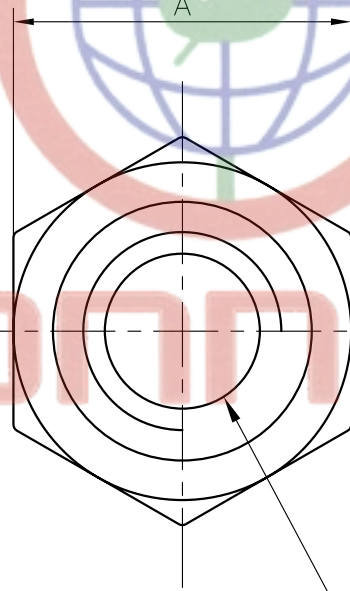
NOTES:

1. Plating: Nickel
2. Product Number Code

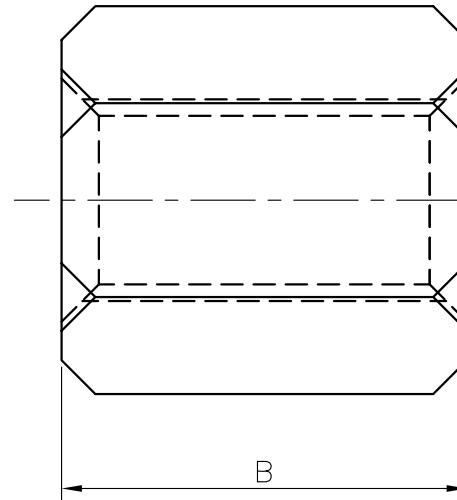
DS1045-02 - X X

Dim. A type:
0470: 4.70mm
0500: 5.00mm

Dim. B type:
0600: 6.00mm



UNC#4-40



Tel: 86-574-63508787

Fax: 86-574-63510817

GENERAL TOLERANCE		ANGLE TOLERANCE		PROJECTION		TITLE	NUT	
X.	±0.20	X.	±2°	UNITS	mm			
.X	±0.15	.X	±1°	SHEET SIZE	A4	SERIES	DS1045-02 SERIES	
.XX	±0.10	.XX	±0.5°					
DRAWING TYPE	CUSTOMER							
SCALE	1:1	SHEET	1 OF 1					
DRAWING NO.	C-DS1045-02-XX							



晨翔电子有限公司
CONNFLY CONNFLY ELECTRONIC CO. LTD