

Description

The AS78LXX series are three terminal positive regulators designed for a wide variety of applications including local, on-card regulation.

This series of regulators are complete with internal current limiting, thermal shutdown protection, and safe-area compensation which make them virtually immune from output overload. If adequate heat sinking are provided, these regulators can deliver output currents up to 100mA.

The AS78LXX series are available in TO-92 (Bulk Packing)/ TO-92 (Ammo Packing), SOT-89 and SOIC-8 packages.

Features

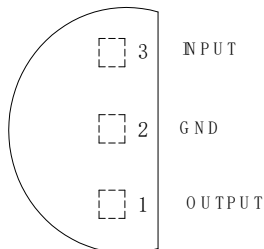
- Output Current up to 100mA
- Fixed Output Voltages of 5V, 12V and 15V
- Output Voltage Accuracy of $\pm 5\%$ over the Full Temperature Range
- Internal Short Circuit Current Limiting
- Internal Thermal Overload Protection
- No External Components
- Output Transistor Safe-Area Protection
- **Totally Lead-Free & Fully RoHS Compliant (Notes 1 & 2)**
- **Halogen and Antimony Free. "Green" Device (Note 3)**
- **For automotive applications requiring specific change control (i.e. parts qualified to AEC-Q100/101/104/200, PPAP capable, and manufactured in IATF 16949 certified facilities), please [contact us](mailto:contact@diodes.com) or your local Diodes representative. <https://www.diodes.com/quality/product-definitions/>**

Applications

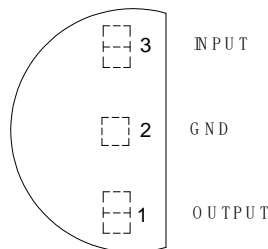
- Consumer electronics
- Microprocessor power supplies
- Mother boards

Pin Assignments

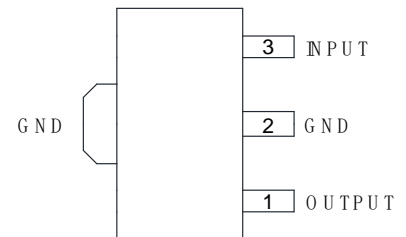
Z Package
(TO-92 (Bulk Packing))



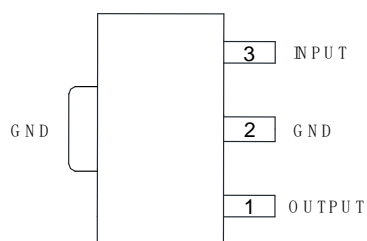
Z Package
(TO-92 (Ammo Packing))



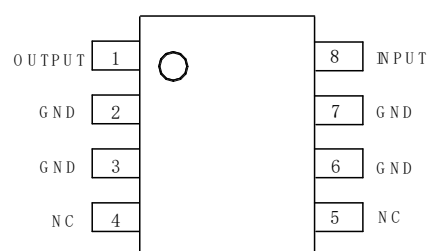
R Package
(SOT-89 Option 1)



R Package
(SOT-89 Option 2)

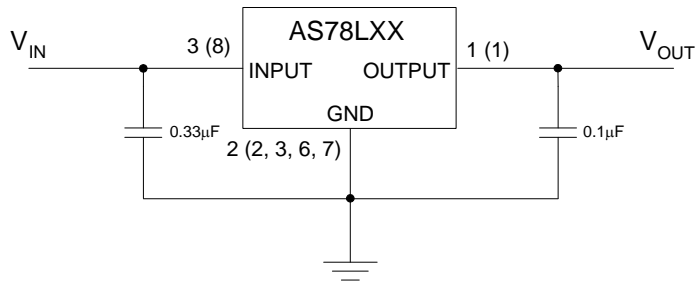


M Package
(SOIC-8)



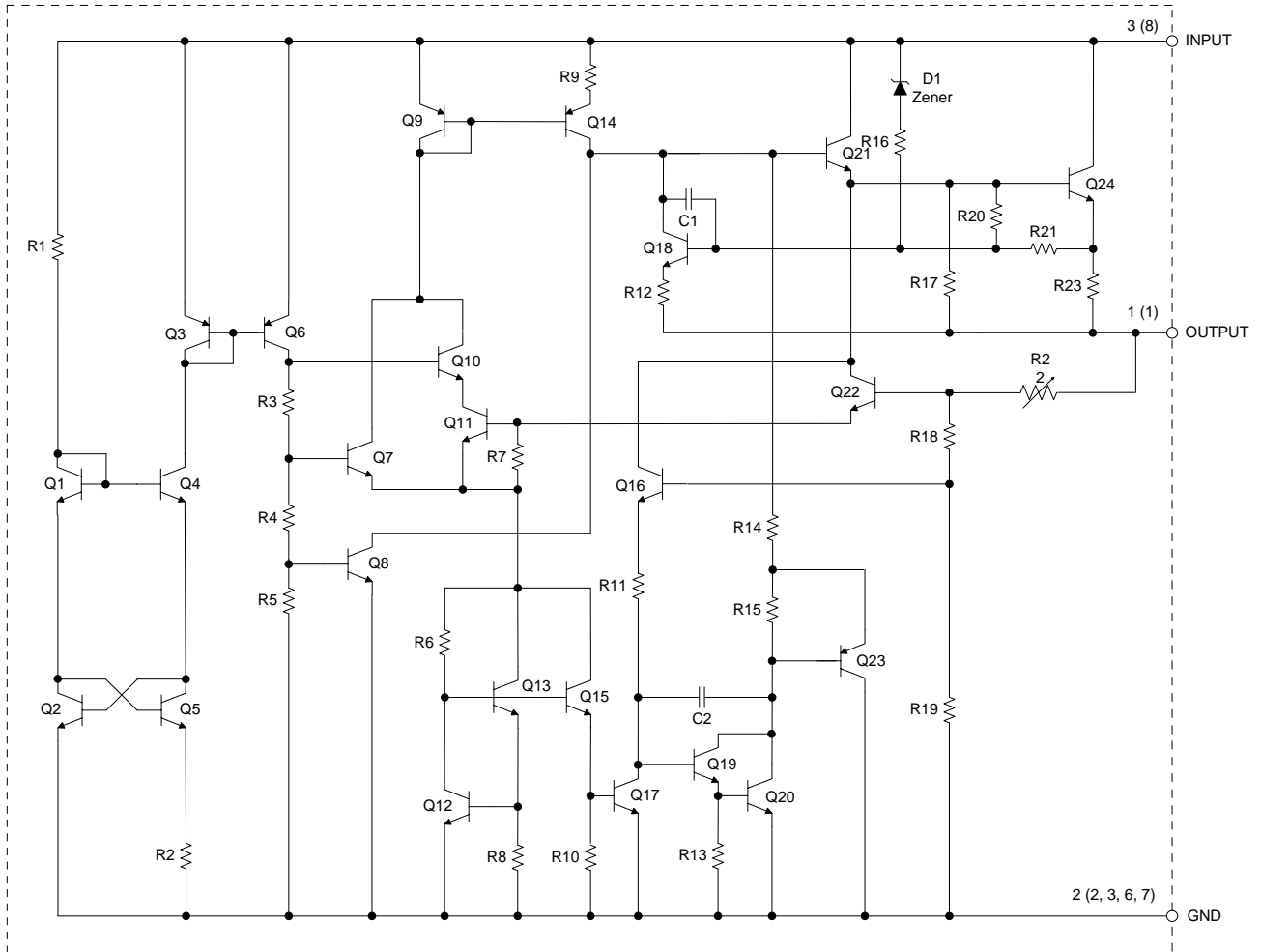
- Notes:
1. No purposely added lead. Fully EU Directive 2002/95/EC (RoHS), 2011/65/EU (RoHS 2) & 2015/863/EU (RoHS 3) compliant.
 2. See <https://www.diodes.com/quality/lead-free/> for more information about Diodes Incorporated's definitions of Halogen- and Antimony-free, "Green" and Lead-free.
 3. Halogen- and Antimony-free "Green" products are defined as those which contain <900ppm bromine, <900ppm chlorine (<1500ppm total Br + Cl) and <1000ppm antimony compounds.

Typical Applications Circuit



A (B)
A for 3-pin B for 8-pin

Functional Block Diagram



A (B)
A for 3-pin B for 8-pin

Absolute Maximum Ratings (Note 4)

Symbol	Parameter	Rating	Unit
V _{IN}	Input Voltage	36	V
T _J	Operating Junction Temperature	150	°C
T _{LEAD}	Lead Temperature (Soldering, 10sec)	260	°C
P _D	Power Dissipation	750	mW
T _{STG}	Storage Temperature Range	-65 to +150	°C
θ _{JA}	Thermal Resistance	TO-92	+180
ESD	ESD (Human Body Model)	2000	V
ESD	ESD (Machine Model)	200	V

Note 4: Stresses greater than those listed under “Absolute Maximum Ratings” can cause permanent damage to the device. These are stress ratings only, and functional operation of the device at these or any other conditions beyond those indicated under “Recommended Operating Conditions” is not implied. Exposure to “Absolute Maximum Ratings” for extended periods can affect device reliability.

Recommended Operating Conditions

Symbol	Parameter	Min	Max	Unit	
V _{IN}	Input Voltage	AS78L05	—	30	V
		AS78L12	—	36	
		AS78L15	—	36	
T _J	Operating Junction Temperature Range	-40	+125	°C	

Electrical Characteristics

AS78L05 (@ V_{IN} = 10V, I_{OUT} = 40mA, C_{IN} = 0.33μF, C_{OUT} = 0.1μF, T_J = +25°C, **Bold** typeface applies over -40°C ≤ T_J ≤ +125°C, unless otherwise specified.)

Symbol	Parameter	Conditions	Min	Typ	Max	Unit
V _{OUT}	Output Voltage	—	4.8	5.0	5.2	V
		7V ≤ V _{IN} ≤ 20V, 1mA ≤ I _{OUT} ≤ 100mA, P _D ≤ 0.75W	4.75	—	5.25	
V _{RLINE}	Line Regulation	7V ≤ V _{IN} ≤ 20V	—	8	150	mV
V _{RLOAD}	Load Regulation	1mA ≤ I _{OUT} ≤ 100mA	—	10	60	mV
I _Q	Quiescent Current	—	—	3	5.5	mA
Δ I _Q	Quiescent Current Change	8V ≤ V _{IN} ≤ 20V	—	—	1.5	mA
		1mA ≤ I _{OUT} ≤ 40mA	—	—	0.1	
PSRR	Ripple Rejection	f = 120Hz, 8V ≤ V _{IN} ≤ 18V	47	62	—	dB
V _{DROP}	Dropout Voltage	I _{OUT} = 40mA	—	1.7	2.0	V
		I _{OUT} = 100mA	—	1.8	2.3	
N _O	Output Noise Voltage	10Hz ≤ f ≤ 100kHz (Note 5)	—	40	—	μV
Δ V _{OUT} /Δ T	Output Voltage Temperature Coefficient	I _{OUT} = 5mA	—	0.42	—	mV/°C
(Δ V _{OUT} /V _{OUT})/Δ T			—	84	—	ppm/°C
θ _{JC}	Thermal Resistance	TO-92 (Bulk Packing)/ TO-92 (Ammo Packing)	—	40	—	°C/W
		SOT-89	—	28.3	—	
		SOIC-8	—	62	—	

Note: 5. 0.01μF minimum load capacitance is recommended to limit high frequency noise.

Electrical Characteristics (continued)

AS78L05C (@ $V_{IN} = 10V$, $I_{OUT} = 40mA$, $C_{IN} = 0.33\mu F$, $C_{OUT} = 0.1\mu F$, $T_J = +25^\circ C$, **Bold** typeface applies over $-40^\circ C \leq T_J \leq +125^\circ C$, unless otherwise specified.)

Symbol	Parameter	Conditions	Min	Typ	Max	Unit
V_{OUT}	Output Voltage	—	5.0		5.1	V
V_{RLINE}	Line Regulation	$7V \leq V_{IN} \leq 20V$	—	8	150	mV
V_{RLOAD}	Load Regulation	$1mA \leq I_{OUT} \leq 100mA$	—	10	60	mV
I_Q	Quiescent Current	—	—	3	5.5	mA
ΔI_Q	Quiescent Current Change	$8V \leq V_{IN} \leq 20V$	—	—	1.5	mA
		$1mA \leq I_{OUT} \leq 40mA$	—	—	0.1	
PSRR	Ripple Rejection	$F = 120Hz$, $8V \leq V_{IN} \leq 18V$	47	62	—	dB
V_{DROP}	Dropout Voltage	$I_{OUT} = 40mA$	—	1.7	—	V
		$I_{OUT} = 100mA$	—	1.8	—	
N_O	Output Noise Voltage	$10Hz \leq f \leq 100kHz$ (Note 5)	—	40	—	μV
$\Delta V_{OUT}/\Delta T$	Output Voltage Temperature Coefficient	$I_{OUT} = 5mA$	—	0.42	—	mV/ $^\circ C$
$(\Delta V_{OUT}/V_{OUT})/\Delta T$			—	84	—	ppm/ $^\circ C$
θ_{JC}	Thermal Resistance	TO-92 (Bulk Packing)/ TO-92 (Ammo Packing)	—	40	—	$^\circ C/W$
		SOT-89	—	28.3	—	
		SOIC-8	—	62	—	

 Note: 5. 0.01 μF minimum load capacitance is recommended to limit high frequency noise.

Electrical Characteristics (continued)

AS78L12 (@ $V_{IN} = 19V$, $I_{OUT} = 40mA$, $C_{IN} = 0.33\mu F$, $C_{OUT} = 0.1\mu F$, $T_J = +25^\circ C$, **Bold** typeface applies over $-40^\circ C \leq T_J \leq +125^\circ C$, unless otherwise specified.)

Symbol	Parameter	Conditions	Min	Typ	Max	Unit
V_{OUT}	Output Voltage	—	11.5	12.0	12.5	V
		$14.5V \leq V_{IN} \leq 27V$, $1mA \leq I_{OUT} \leq 100mA$, $P_D \leq 0.75W$	11.4	—	12.6	
V_{RLINE}	Line Regulation	$14.5V \leq V_{IN} \leq 27V$	—	20	250	mV
V_{RLOAD}	Load Regulation	$1mA \leq I_{OUT} \leq 100mA$	—	20	100	mV
I_Q	Quiescent Current	—	—	3	6	mA
ΔI_Q	Quiescent Current Change	$16V \leq V_{IN} \leq 27V$	—	—	1.5	mA
		$1mA \leq I_{OUT} \leq 40mA$	—	—	0.1	
PSRR	Ripple Rejection	$f = 120Hz$, $15V \leq V_{IN} \leq 25V$	37	42	—	dB
V_{DROP}	Dropout Voltage	$I_{OUT} = 40mA$	—	1.7	—	V
		$I_{OUT} = 100mA$	—	1.8	—	
N_O	Output Noise Voltage	$10Hz \leq f \leq 100kHz$ (Note 5)	—	80	—	μV
$\Delta V_{OUT}/\Delta T$	Output Voltage Temperature Coefficient	$I_{OUT} = 5mA$	—	1	—	mV/ $^\circ C$
$(\Delta V_{OUT}/V_{OUT})/\Delta T$			—	84	—	ppm/ $^\circ C$
θ_{JC}	Thermal Resistance	TO-92 (Bulk Packing)/ TO-92 (Ammo Packing)	—	40	—	$^\circ C/W$
		SOT-89	—	28.3	—	
		SOIC-8	—	62	—	

 Note: 5. 0.01 μF minimum load capacitance is recommended to limit high frequency noise.

Electrical Characteristics (continued)

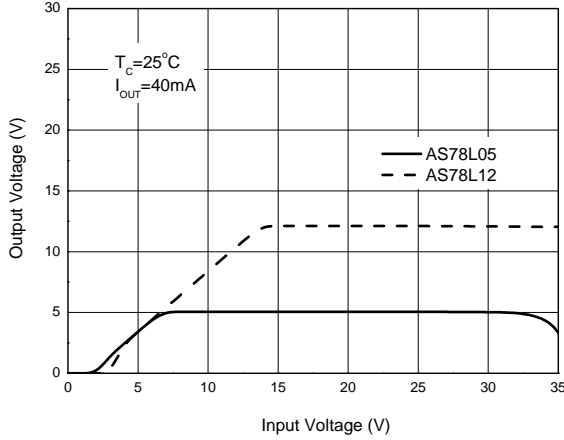
AS78L15 (@ $V_{IN} = 23V$, $I_{OUT} = 40mA$, $C_{IN} = 0.33\mu F$, $C_{OUT} = 0.1\mu F$, $T_J = +25^\circ C$, **Bold** typeface applies over $-40^\circ C \leq T_J \leq +125^\circ C$, unless otherwise specified.)

Symbol	Parameter	Conditions	Min	Typ	Max	Unit
V_{OUT}	Output Voltage	—	14.4	15.0	15.6	V
		$17.5V \leq V_{IN} \leq 30V$, $1mA \leq I_{OUT} \leq 100mA$, $P_D \leq 0.75W$	14.25	—	15.75	
V_{RLINE}	Line Regulation	$17.5V \leq V_{IN} \leq 30V$	—	25	250	mV
V_{RLOAD}	Load Regulation	$1mA \leq I_{OUT} \leq 100mA$	—	25	150	mV
I_Q	Quiescent Current	—	—	3	6	mA
ΔI_Q	Quiescent Current Change	$20V \leq V_{IN} \leq 30V$	—	—	1.5	mA
		$1mA \leq I_{OUT} \leq 40mA$	—	—	0.1	
PSRR	Ripple Rejection	$f = 120Hz$, $18.5V \leq V_{IN} \leq 28.5V$	34	39	—	dB
V_{DROP}	Dropout Voltage	$I_{OUT} = 40mA$	—	1.7	—	V
		$I_{OUT} = 100mA$	—	1.8	—	
N_o	Output Noise Voltage	$10Hz \leq f \leq 100kHz$ (Note 5)	—	90	—	μV
$\Delta V_{OUT}/\Delta T$	Output Voltage Temperature Coefficient	$I_{OUT} = 5mA$	—	1.25	—	$mV/^\circ C$
$(\Delta V_{OUT}/V_{OUT})/\Delta T$			—	84	—	ppm/ $^\circ C$
θ_{JC}	Thermal Resistance	TO-92 (Bulk Packing)/ TO-92 (Ammo Packing)	—	40	—	$^\circ C/W$
		SOT-89	—	28.3	—	
		SOIC-8	—	62	—	

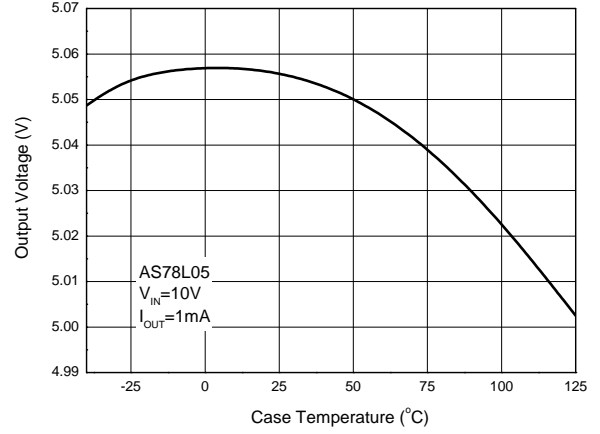
Note: 5. 0.01 μF minimum load capacitance is recommended to limit high frequency noise.

Performance Characteristics

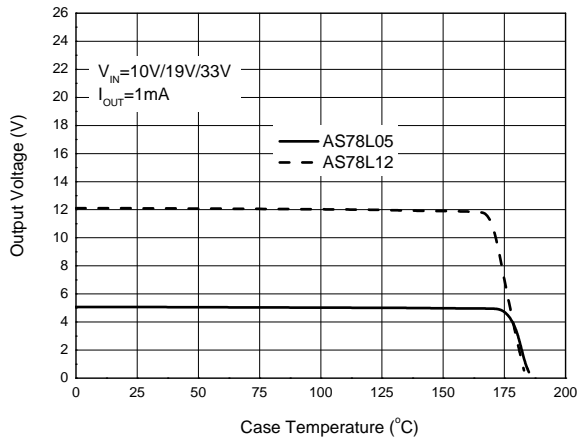
Output Voltage vs. Input Voltage



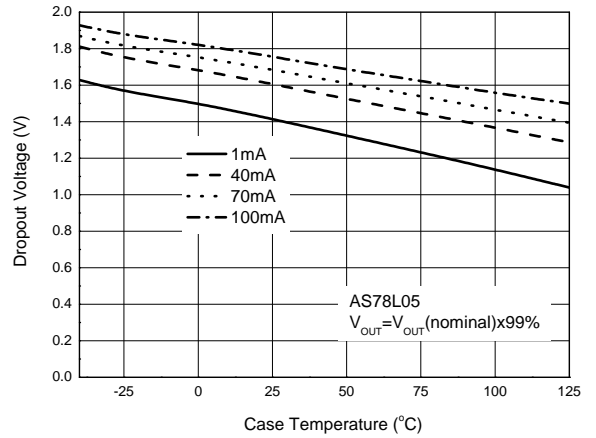
Output Voltage vs. Case Temperature



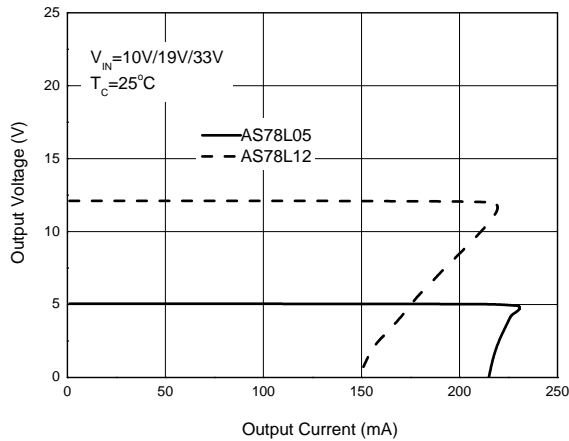
Over Temperature Protection



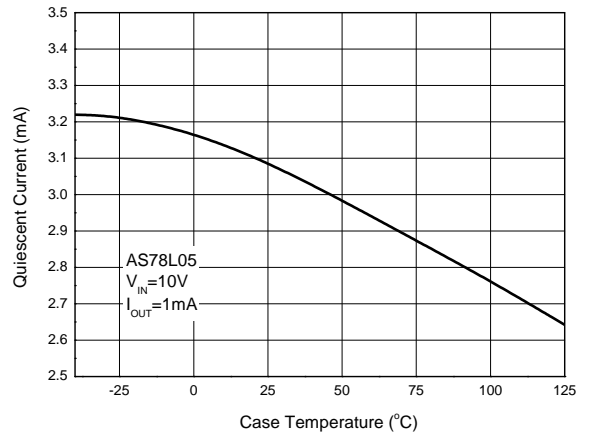
Dropout Voltage vs. Case Temperature



Output Voltage vs. Output Current

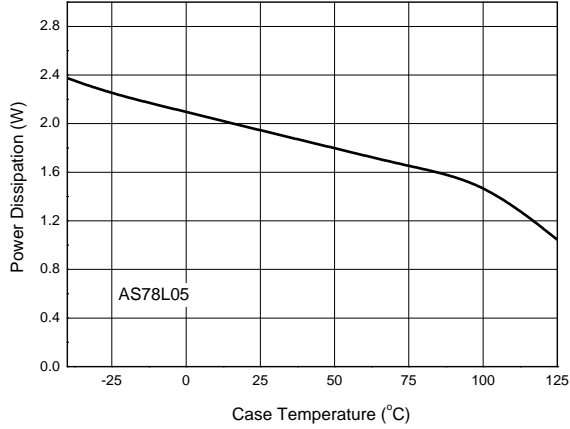


Quiescent Current vs. Case Temperature

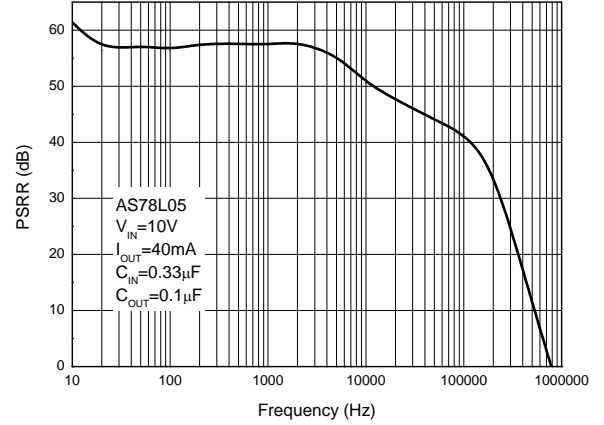


Performance Characteristics (continued)

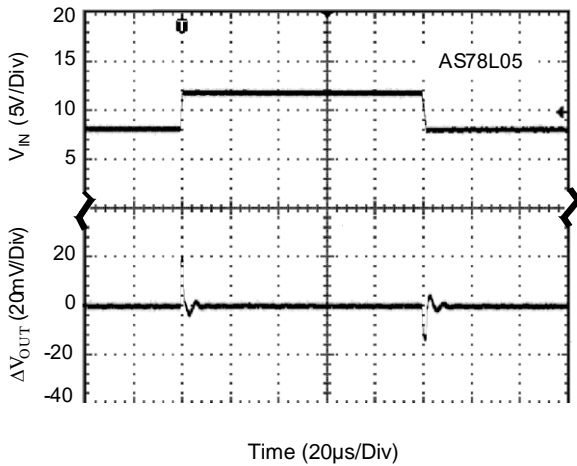
Power Dissipation vs. Case Temperature



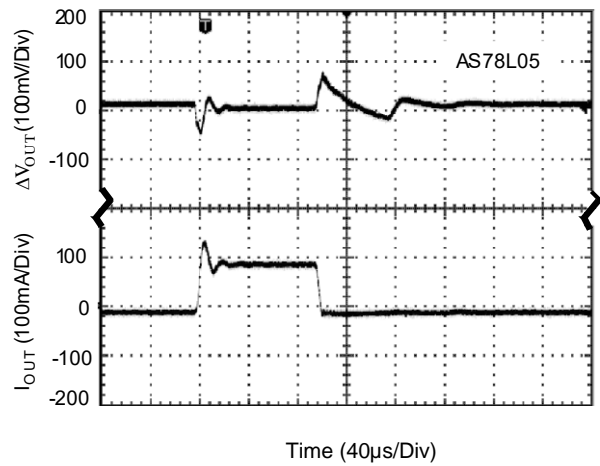
PSRR vs. Frequency



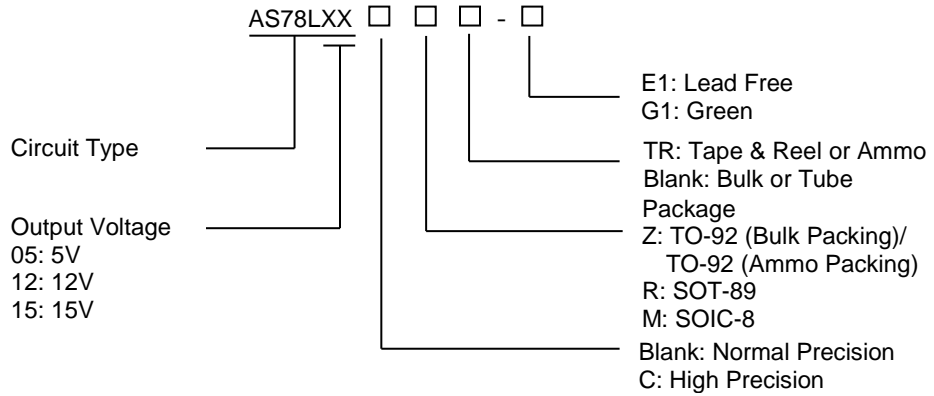
Line Transient
(Conditions: $I_{OUT}=40mA$, $C_{IN}=0.33\mu F$, $C_{OUT}=0.1\mu F$)



Load Transient
(Conditions: $V_{IN}=10V$, $C_{IN}=0.33\mu F$, $C_{OUT}=0.1\mu F$)



Ordering Information



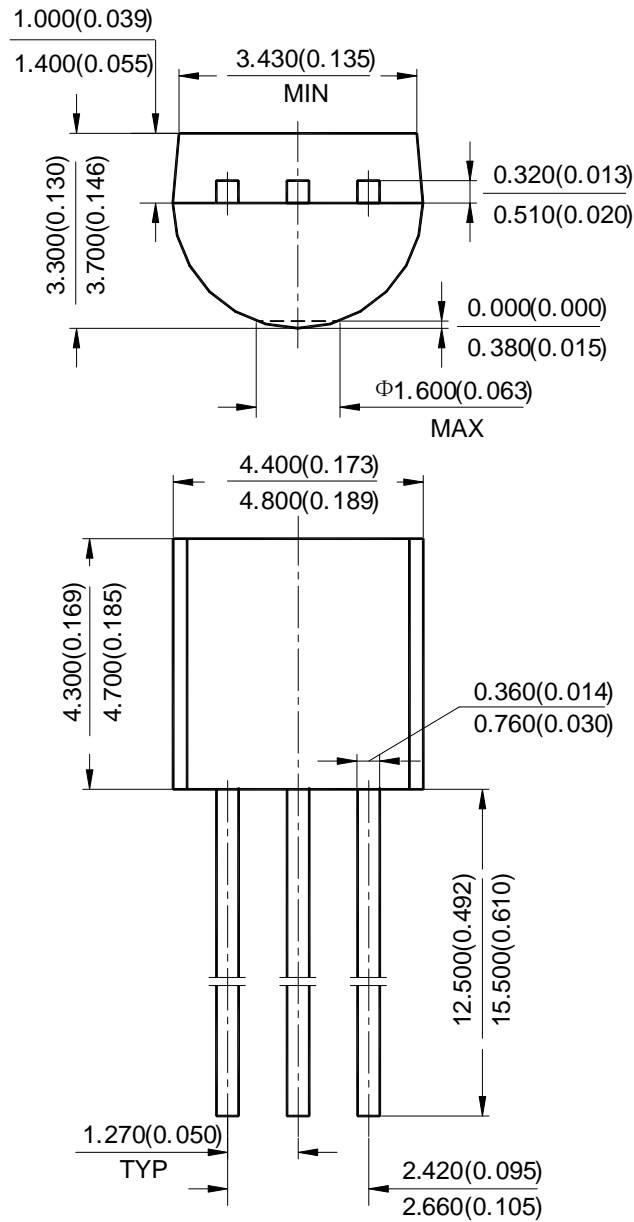
Part Number	Package	Temperature Range	Status	Marking ID	Packing	
					Qty.	Carrier
AS78L05Z-E1	TO-92 (Bulk Packing) TO-92 (Ammo Packing)	-40°C to +125°C	Production	AS78L05Z-E1	10k	Bulk
AS78L05Z-G1			EOL	AS78L05Z-G1	10k	Bulk
AS78L05ZTR-E1			Production	AS78L05Z-E1	2k	Ammo
AS78L05ZTR-G1			Production	AS78L05Z-G1	2k	Ammo
AS78L05CZTR-E1			Production	AS78L05Z-E1	2k	Ammo
AS78L12ZTR-E1			Production	AS78L12Z-E1	2k	Ammo
AS78L15ZTR-E1			Production	AS78L15Z-E1	2k	Ammo
AS78L05RTR-E1			SOT-89	-40°C to +125°C	NRND	E78E
AS78L05RTR-G1	Production	G78E			1k	Tape & Reel
AS78L12RTR-G1	Production	G78F			1k	Tape & Reel
AS78L15RTR-E1	NRND	E78G			1k	Tape & Reel
AS78L15RTR-G1	Production	G78G			1k	Tape & Reel
AS78L05MTR-E1	SOIC-8	-40°C to +125°C	NRND	AS78L05M-E1	4k	Tape & Reel
AS78L05MTR-G1			Production	AS78L05M-G1	4k	Tape & Reel

BCD Semiconductor's Pb-free products, as designated with "E1" suffix in the part number, are RoHS compliant. Products with "G1" suffix are available in green packages.

Package Outline Dimensions (All dimensions in mm (inch).)

Please see <http://www.diodes.com/package-outlines.html> for the latest version.

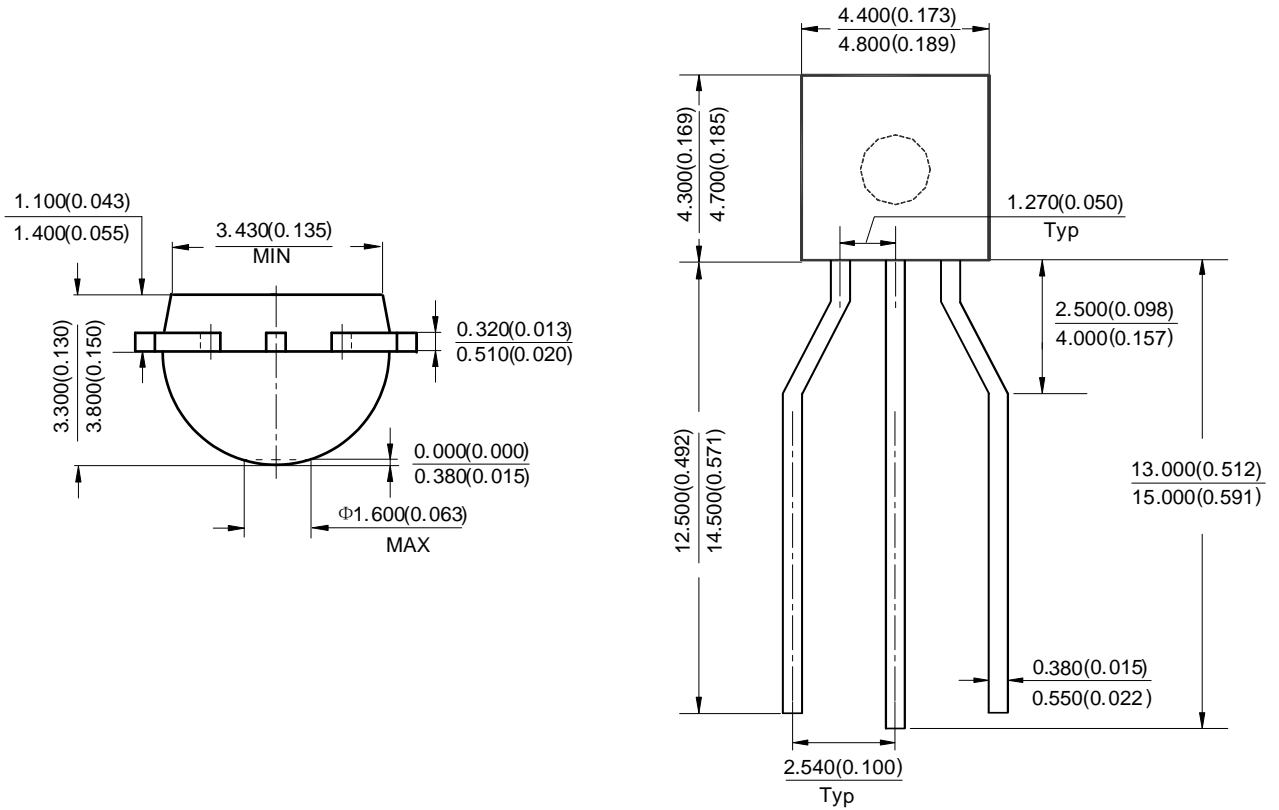
TO-92 (Bulk Packing)



Package Outline Dimensions (continued) (All dimensions in mm (inch).)

Please see <http://www.diodes.com/package-outlines.html> for the latest version.

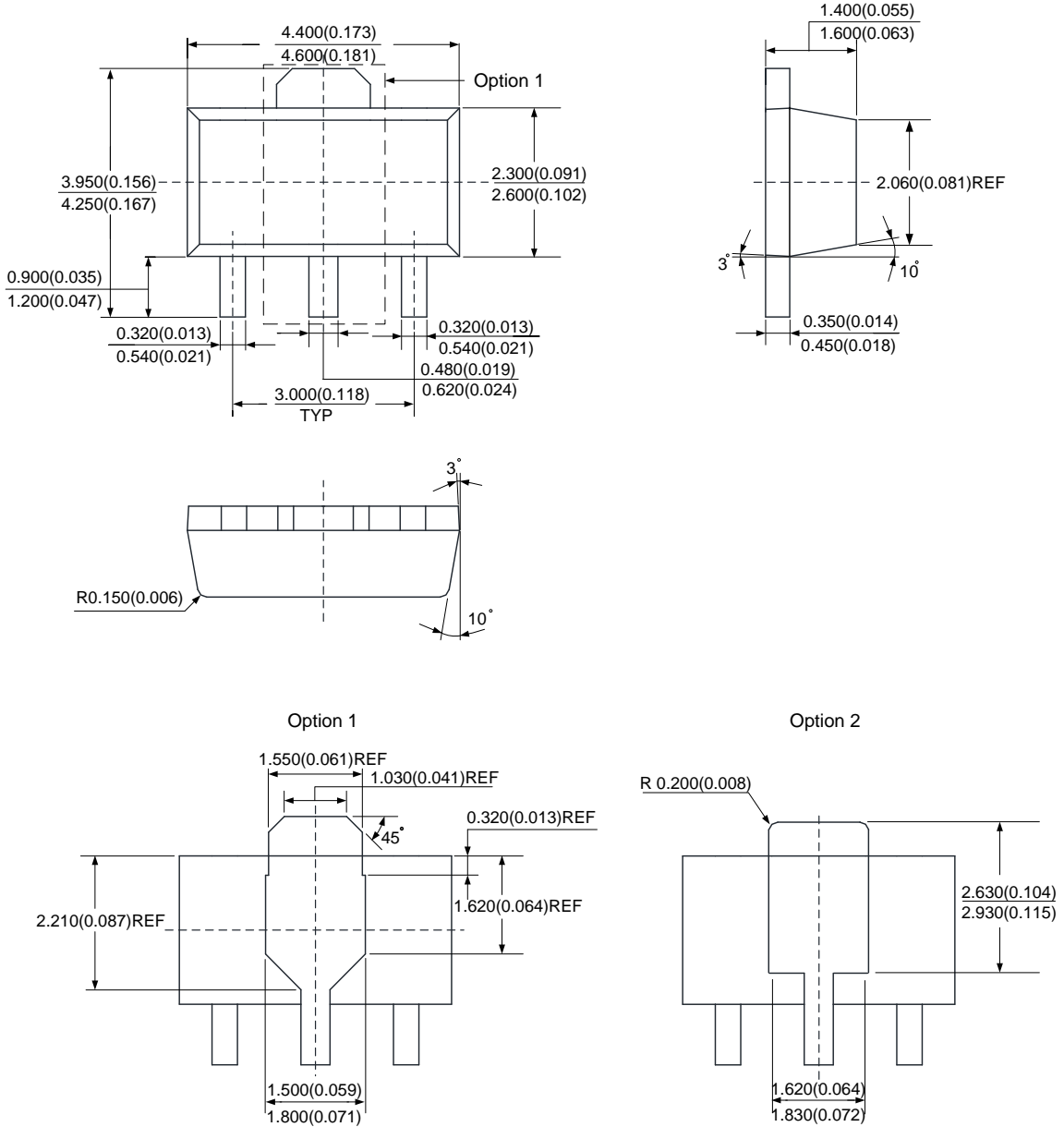
TO-92 (Ammo Packing)



Package Outline Dimensions (continued) (All dimensions in mm (inch).)

Please see <http://www.diodes.com/package-outlines.html> for the latest version.

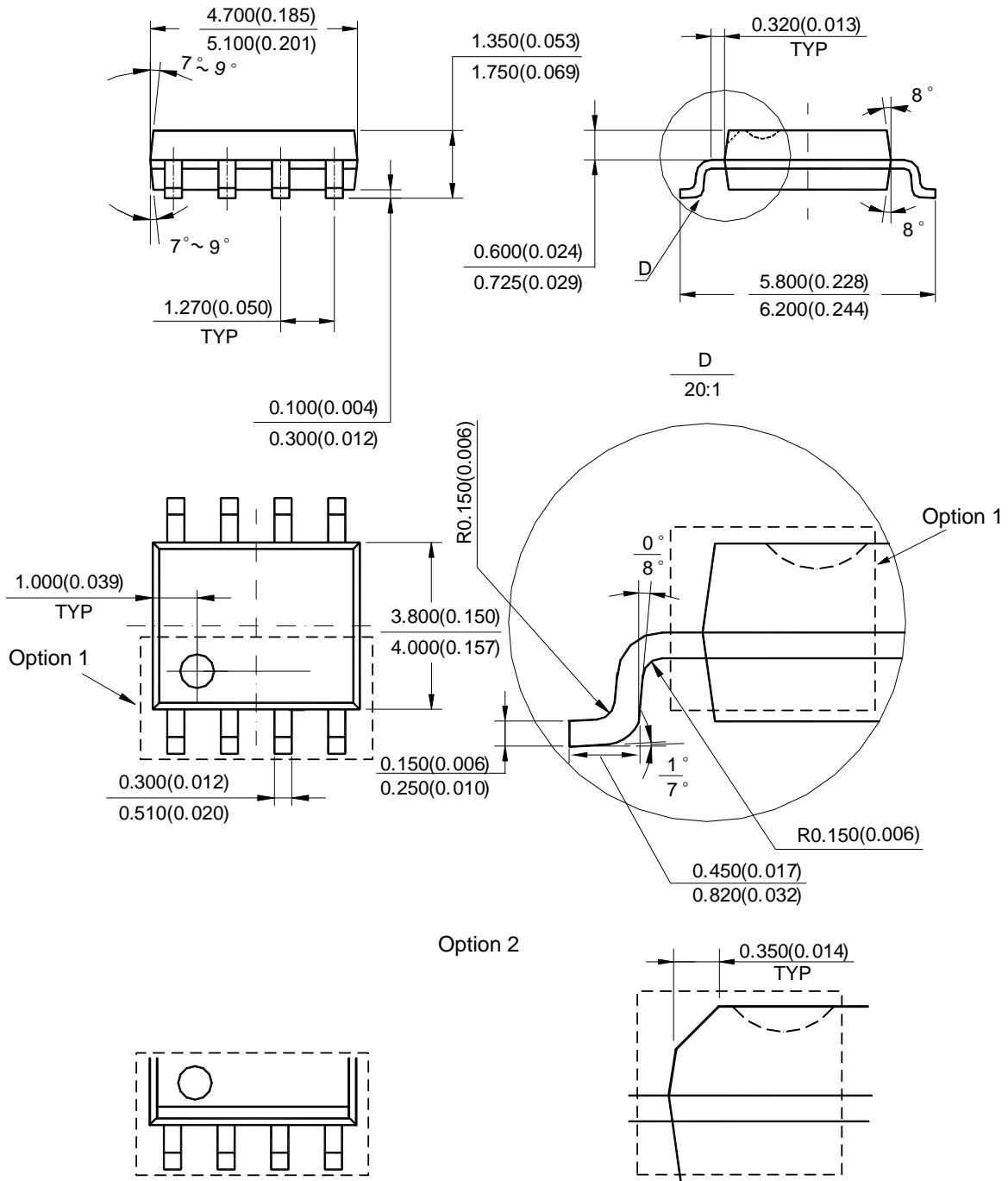
SOT-89



Package Outline Dimensions (continued) (All dimensions in mm (inch).)

Please see <http://www.diodes.com/package-outlines.html> for the latest version.

SOIC-8

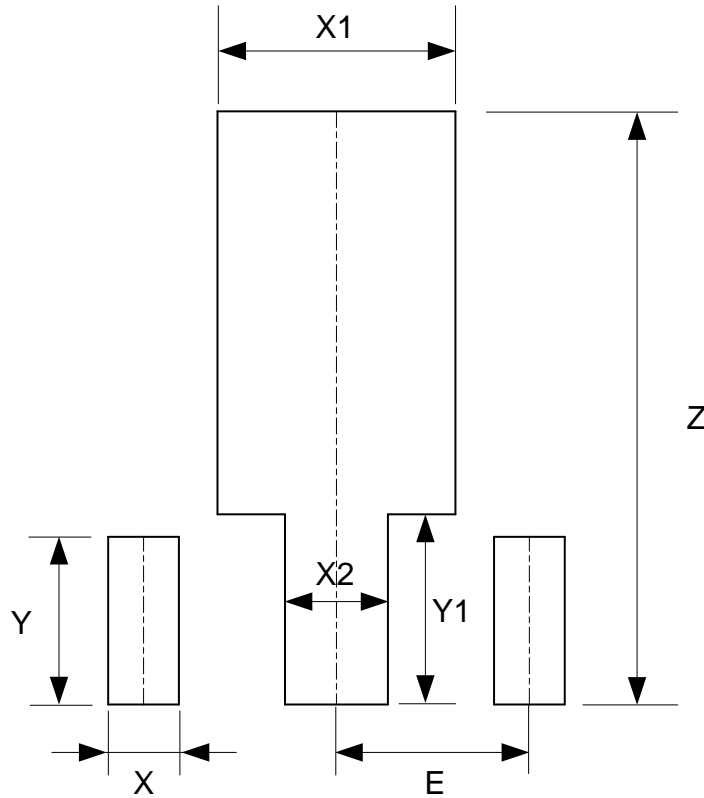


Note: Eject hole, oriented hole and mold mark is optional.

Suggested Pad Layout

Please see <http://www.diodes.com/package-outlines.html> for the latest version.

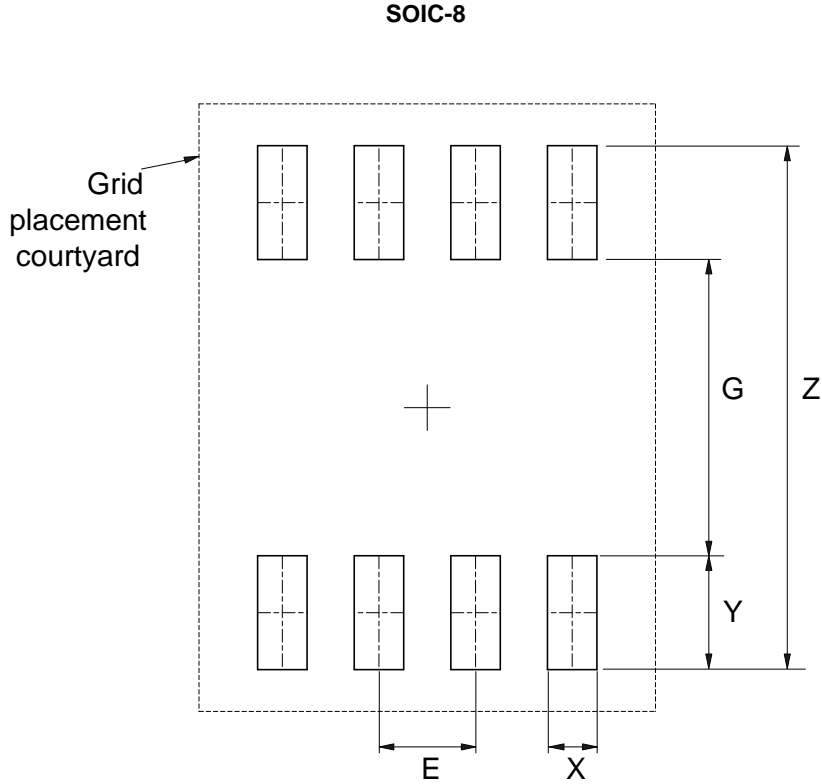
SOT-89



Dimensions	Z (mm)/(inch)	X (mm)/(inch)	X1 (mm)/(inch)	X2 (mm)/(inch)	Y (mm)/(inch)	Y1 (mm)/(inch)	E (mm)/(inch)
Value	4.600/0.181	0.550/0.022	1.850/0.073	0.800/0.031	1.300/0.051	1.475/0.058	1.500/0.059

Suggested Pad Layout (continued)

Please see <http://www.diodes.com/package-outlines.html> for the latest version.



Dimensions	Z (mm)/(inch)	G (mm)/(inch)	X (mm)/(inch)	Y (mm)/(inch)	E (mm)/(inch)
Value	6.900/0.272	3.900/0.154	0.650/0.026	1.500/0.059	1.270/0.050

Mechanical Data

- Moisture Sensitivity: SOT-89: Level 3 per J-STD-020
SOIC-8: Level 1 per J-STD-020
- Terminals: Finish— Matte Tin Plated Leads, Solderable per MIL-STD-202, Method 208[Ⓒ]
- Weight:
SOIC-8: 0.076 grams (Approximate)
SOT-89: 0.0561 grams (Approximate)
TO-92 (Bulk Packing)/ TO-92 (Ammo Packing): 0.157 grams (Approximate)

IMPORTANT NOTICE

1. DIODES INCORPORATED (Diodes) AND ITS SUBSIDIARIES MAKE NO WARRANTY OF ANY KIND, EXPRESS OR IMPLIED, WITH REGARDS TO ANY INFORMATION CONTAINED IN THIS DOCUMENT, INCLUDING, BUT NOT LIMITED TO, THE IMPLIED WARRANTIES OF MERCHANTABILITY, FITNESS FOR A PARTICULAR PURPOSE OR NON-INFRINGEMENT OF THIRD PARTY INTELLECTUAL PROPERTY RIGHTS (AND THEIR EQUIVALENTS UNDER THE LAWS OF ANY JURISDICTION).
2. The Information contained herein is for informational purpose only and is provided only to illustrate the operation of Diodes' products described herein and application examples. Diodes does not assume any liability arising out of the application or use of this document or any product described herein. This document is intended for skilled and technically trained engineering customers and users who design with Diodes' products. Diodes' products may be used to facilitate safety-related applications; however, in all instances customers and users are responsible for (a) selecting the appropriate Diodes products for their applications, (b) evaluating the suitability of Diodes' products for their intended applications, (c) ensuring their applications, which incorporate Diodes' products, comply the applicable legal and regulatory requirements as well as safety and functional-safety related standards, and (d) ensuring they design with appropriate safeguards (including testing, validation, quality control techniques, redundancy, malfunction prevention, and appropriate treatment for aging degradation) to minimize the risks associated with their applications.
3. Diodes assumes no liability for any application-related information, support, assistance or feedback that may be provided by Diodes from time to time. Any customer or user of this document or products described herein will assume all risks and liabilities associated with such use, and will hold Diodes and all companies whose products are represented herein or on Diodes' websites, harmless against all damages and liabilities.
4. Products described herein may be covered by one or more United States, international or foreign patents and pending patent applications. Product names and markings noted herein may also be covered by one or more United States, international or foreign trademarks and trademark applications. Diodes does not convey any license under any of its intellectual property rights or the rights of any third parties (including third parties whose products and services may be described in this document or on Diodes' website) under this document.
5. Diodes' products are provided subject to Diodes' Standard Terms and Conditions of Sale (<https://www.diodes.com/about/company/terms-and-conditions/terms-and-conditions-of-sales/>) or other applicable terms. This document does not alter or expand the applicable warranties provided by Diodes. Diodes does not warrant or accept any liability whatsoever in respect of any products purchased through unauthorized sales channel.
6. Diodes' products and technology may not be used for or incorporated into any products or systems whose manufacture, use or sale is prohibited under any applicable laws and regulations. Should customers or users use Diodes' products in contravention of any applicable laws or regulations, or for any unintended or unauthorized application, customers and users will (a) be solely responsible for any damages, losses or penalties arising in connection therewith or as a result thereof, and (b) indemnify and hold Diodes and its representatives and agents harmless against any and all claims, damages, expenses, and attorney fees arising out of, directly or indirectly, any claim relating to any noncompliance with the applicable laws and regulations, as well as any unintended or unauthorized application.
7. While efforts have been made to ensure the information contained in this document is accurate, complete and current, it may contain technical inaccuracies, omissions and typographical errors. Diodes does not warrant that information contained in this document is error-free and Diodes is under no obligation to update or otherwise correct this information. Notwithstanding the foregoing, Diodes reserves the right to make modifications, enhancements, improvements, corrections or other changes without further notice to this document and any product described herein. This document is written in English but may be translated into multiple languages for reference. Only the English version of this document is the final and determinative format released by Diodes.
8. Any unauthorized copying, modification, distribution, transmission, display or other use of this document (or any portion hereof) is prohibited. Diodes assumes no responsibility for any losses incurred by the customers or users or any third parties arising from any such unauthorized use.
9. This Notice may be periodically updated with the most recent version available at <https://www.diodes.com/about/company/terms-and-conditions/important-notice>

The Diodes logo is a registered trademark of Diodes Incorporated in the United States and other countries.
All other trademarks are the property of their respective owners.
© 2023 Diodes Incorporated. All Rights Reserved.

www.diodes.com

Mouser Electronics

Authorized Distributor

Click to View Pricing, Inventory, Delivery & Lifecycle Information:

[Diodes Incorporated:](#)

[AS78L05MTR-E1](#) [AS78L05ZTR-E1](#) [AS78L05RTR-G1](#) [AS78L05RTR-E1](#) [AS78L15RTR-G1](#) [AS78L05MTR-G1](#)
[AS78L12RTR-G1](#) [AS78L15ZTR-E1](#) [AS78L05CZTR-E1](#) [AS78L05Z-E1](#) [AS78L15RTR-E1](#) [AS78L05CZTR-G1](#)