

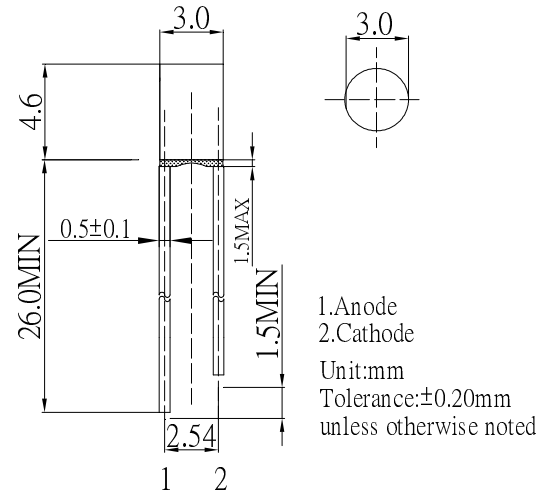
### ■ Features

- High Luminous LEDs
- 3mm Standard Directivity
- Long Lifetime Operation
- UV Resistant Epoxy
- Water Clear Type

### ■ Applications

- Electronic Signs and Signals
- Small Area Illuminations
- Back Lighting/ Other Lighting

### ■ Outline Dimension

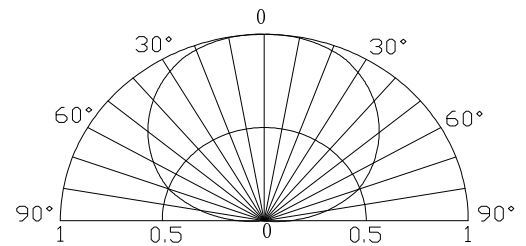


### ■ Absolute Maximum Rating

(Ta=25°C)

Item	Symbol	Value		Unit
		W/M/BL/PG	Y/O/R	
DC Forward Current	I <sub>F</sub>	30	30	mA
Pulse Forward Current#	I <sub>FP</sub>	100	100	mA
Reverse Voltage	V <sub>R</sub>	5	5	V
Power Dissipation	P <sub>D</sub>	108	78	mW
Operating Temperature	Topr	-30 ~ +85		°C
Storage Temperature	Tstg	-40~ +100		°C
Lead Soldering Temperature	Tsol	260°C/5sec		-

### ■ Directivity



#Pulse width Max.10ms Duty ratio max 1/10

### ■ Electrical -Optical Characteristics

(Ta=25°C)

Part Number	Color		V <sub>F</sub> (V)*			I <sub>R</sub> (μA)	I <sub>v</sub> (mcd)*			Wd(nm)*			2θ1/2(deg)
			Min.	Typ.	Max.	Max.	Min.	Typ.	Max.	Min.	Typ.	Max.	Typ.
			I <sub>F</sub> =20mA			V <sub>R</sub> =5V		I <sub>F</sub> =20mA					
OSW4DK3HE1B	Pure White	W	2.7	2.9	3.4	10	2180	3000	-	*CCT: 5500-8500K			140
OSM5DK3HE1B	Warm White	M	2.7	2.9	3.4	10	1560	2180	-	*CCT: 2700-3300K			140
OSB5SA3HE1B	Blue	BL	2.8	3.1	3.6	10	500	750	-	465	470	475	140
OSG5DA3HE1B	Pure Green	PG	2.8	3.1	3.6	10	1560	2180	-	520	525	530	140
OSY5PA3HE1B	Yellow	Y	1.8	2.1	2.6	10	750	1120	-	585	590	595	140
OSO5PA3HE1B	Orange	O	1.8	2.1	2.6	10	750	1120	-	600	605	610	140
OSR5PA3HE1B	Red	R	1.8	2.1	2.6	10	750	1120	-	620	625	630	140

\*1 Tolerance of measurements of CCT is ±10%

\*3 Tolerance of measurements of luminous intensity is ±15%

\*2 Tolerance of measurements of dominant wavelength is ±1nm

\*4 Tolerance of measurements of forward voltage is ±0.1V