


# Antenna - PSI-GSM/UMTS-QB-ANT - 2313371

Please be informed that the data shown in this PDF Document is generated from our Online Catalog. Please find the complete data in the user's documentation. Our General Terms of Use for Downloads are valid (<http://phoenixcontact.com/download>)

GSM UMTS antenna, with omnidirectional characteristic, 2 m antenna cable with SMA round connector



## Key Commercial Data

Packing unit	1 pc
GTIN	 4 046356 411066
Weight per Piece (excluding packing)	92.7 g
Custom tariff number	85177019
Country of origin	Germany

## Technical data

### Dimensions

Height	20 mm
Diameter	76 mm

### Ambient conditions

Ambient temperature (operation)	-40 °C ... 105 °C
---------------------------------	-------------------

### General

With connecting cable	yes
Frequency range	850 MHz
	900 MHz
	1800 MHz
	1900 MHz
	2100 MHz
Gain	5 dBi (800/900 MHz)
	3 dBi (1800/1900 MHz)
	1 dBi (2100 MHz)
Connection method	SMA (male)

# Antenna - PSI-GSM/UMTS-QB-ANT - 2313371

## Classifications

### eCl@ss

eCl@ss 4.0	27060805
eCl@ss 4.1	27060805
eCl@ss 5.0	27061805
eCl@ss 5.1	27061805
eCl@ss 6.0	27061805
eCl@ss 7.0	27061805
eCl@ss 8.0	19070105
eCl@ss 9.0	19070105

### ETIM

ETIM 2.0	EC000416
ETIM 3.0	EC000416
ETIM 4.0	EC000416
ETIM 5.0	EC001698

### UNSPSC

UNSPSC 6.01	43171611
UNSPSC 7.0901	43221706
UNSPSC 11	43171611
UNSPSC 12.01	43221706
UNSPSC 13.2	43221706

## Approvals

### Approvals

---

Approvals

EAC

---

Ex Approvals

---

Approvals submitted

---

Approval details

EAC
-----

## Accessories

Accessories

## Antenna - PSI-GSM/UMTS-QB-ANT - 2313371

### Accessories

#### Communication module

Communication module - NLC-COM-GSM - 2701344



GSM communication module. Allows SMS messaging to and from the Nanoline controller when connected to the GSM network.

---

#### Control box

Control cabinet - RAD-SYS-NEMA4X-SMS - 2917189



NEMA 4X enclosure for SMS relay

---

#### Modem

Modem - PSI-GPRS/GSM-MODEM/RS232-QB - 2313106



Industrial GPRS/GSM modem for mounting on EN DIN rails. GSM and GPRS. 850 + 900 + 1800 + 1900 MHz. Serial V.24 (RS-232) interface. TCP/IP stack. Alarm input and output. 24 V DC supply voltage.

---

Router - PSI-MODEM-GSM/ETH - 2313355



Industrial GSM router with GPRS/EDGE for mounting on EN DIN rail. GSM and GPRS/EDGE. 850 + 900 + 1800 + 1900 MHz. Ethernet interface. Firewall and VPN support. 6 alarm inputs and 4 switching outputs. 24 V DC supply voltage.

---

Router - PSI-MODEM-3G/ROUTER - 2314008



Industrial UMTS/GSM router (850, 900, 1800, 1900, 2100 MHz) with Ethernet interface. Firewall, NAT and IPsec VPN support. SMA-F female antenna connector. Sending via SMS. 6 digital inputs, 4 digital outputs. Configuration via web-based management.

---

#### Security router for the DIN rail

## Antenna - PSI-GSM/UMTS-QB-ANT - 2313371

### Accessories

#### Router - TC MGUARD RS4000 3G VPN - 2903440



Security device, WAN, and mobile phone interface. SD card slot. 10 VPN tunnels, intelligent firewall with full scope of functions, router with NAT/1:1 NAT, optional CIFS integrity monitoring. 4-port managed switch. 2 SIM card slots. GPS receiver.

---

#### Router - TC MGUARD RS2000 3G VPN - 2903441



Security device with mobile phone interface. SD card slot. 2 VPN tunnels, 2-click firewall for easy configuration, router with NAT/1:1 NAT. 4-port switch. 2 SIM card slots. GPS receiver.

---

### Signaling system

#### Signaling system - PSI-MODEM-SMS-REL/6 DI/4DO/AC - 2313513



SMS remote control and signaling system for mounting on EN DIN rails. Installation built-in device as per DIN 43880. 6 digital inputs and 4 relay outputs. Supply voltage 240 V AC. Scope of supply: SMS relay, antenna, software, RS-232 cable.

---

#### Signaling system - PSI-MODEM-SMS-REL/6ADI/4DO/DC - 2313520



SMS remote control and signaling system for mounting on EN DIN rail. Installation built-in device as per DIN 43880. 6 analog or digital configurable inputs and 4 relay outputs. Supply voltage 24 V DC. Scope of supply: SMS relay, antenna, software, RS-232 cable.

---

#### Interface converter - PSI-GSM/GPRS-MODEM/RS232 - 2708630



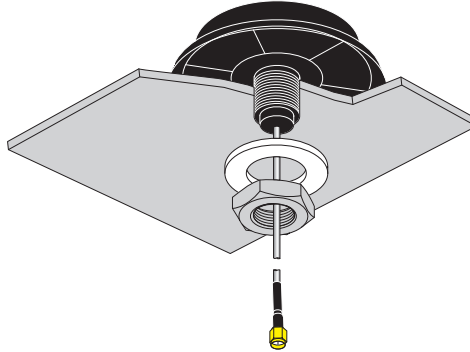
Industrial GSM modem for assembly on EN DIN rails. GSM and GPRS. 900 + 1800 MHz. Serial RS-232 interface. Alarm input and output. Supply voltage 24 V AC/DC

---

### Drawings

## Antenna - PSI-GSM/UMTS-QB-ANT - 2313371

Schematic diagram



Assembly

---

Phoenix Contact 2016 © - all rights reserved  
<http://www.phoenixcontact.com>