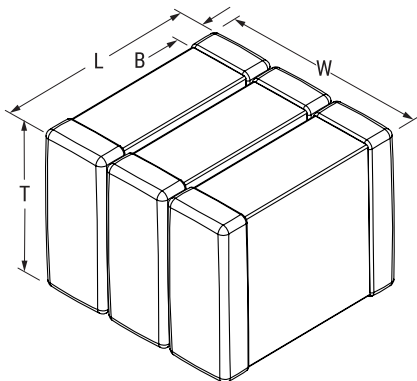


KONNEKT Comm U2J, Ceramic, 1.4 uF, 5%, 50 VDC, U2J



Dimensions

L	4.5mm +/-0.3mm
W	5.3mm +/-0.6mm
T	3.2mm +/-0.3mm
B	0.6mm +/-0.35mm

Packaging Specifications

Packaging:	T&R, 180mm, Plastic Tape
Packaging Quantity:	500

General Information

Supplier:	KEMET
Series:	KONNEKT Comm U2J
Style:	KONNEKT
Description:	SMD, MLCC, KONNEKT, Ultra-Stable, Class I
Features:	High Density Packaging
RoHS:	Yes
Termination:	Tin
Chip Size:	1812-3
Shelf Life:	78 Weeks
MSL:	1

Specifications

Capacitance:	1.4 uF
Capacitance Tolerance:	5%
Voltage DC:	50 VDC
Dielectric Withstanding Voltage:	125 VDC
Temperature Range:	-55/+125°C
Temperature Coefficient:	U2J
Dissipation Factor:	0.10% 1kHz 25C
Aging Rate:	0.1% Loss/Decade Hour
Insulation Resistance:	714.29 MOhms