

# UG426: Si34071 Isolated 5 V/14 A Output EVB

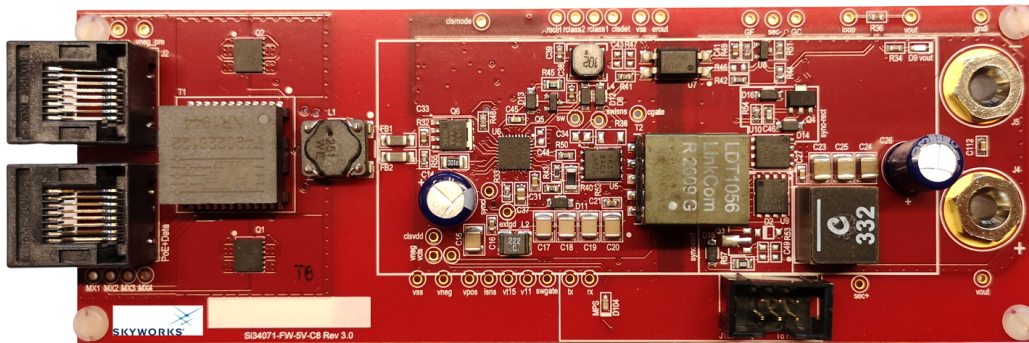
The Si34071 isolated Forward topology evaluation board is a reference design for a power supply in a Power over Ethernet (PoE) Powered Device (PD) application.

The Si34071-FW-5V-C8 board provides an isolated output: 5 V/14 A.

The Si34071-FW-5V-C8 board is shown below. The Si34071 IC integrates an IEEE 802.03bt compatible PoE interface as well as a current-control-based dc/dc converter.

#### KEY FEATURES

- IEEE 802.3bt Compliant
- EMI Compliant
- >91% Efficiency
- High Integration
- Simple 9600-baud UART interface
- Autoclass Feature
- Integrated Transient Overvoltage Protection
- Thermal Shutdown Protection
- 5 x 5 mm 32-pin QFN



Parameter	Condition	Specifications
Ordering part number	—	Si34071AC5V8KIT
PSE input voltage range	Connector J1	41.1 V to 57 V
PoE Type/Class	IEEE 802.3bt	Type 4 / Class 8
Output voltage/current	Connectors J4-J5	5 V / 14 A
Peak efficiency, end-to-end	$V_{IN} = 50 \text{ V}$ , 5 V output	91.2 %
Switching frequency	$R33 = 95.3 \text{ k}\Omega$	200 kHz
Radiated EMI Test	EN 55032 Class B (30 MHz – 1 GHz)	Passed

# Table of Contents

1. Kit Description and Powering up the Si34071-FW-5V-C8 Board. . . . .	3
2. Schematics . . . . .	4
3. Getting Started: Powering Up the Si34071-FW-5V-C8 Board . . . . .	7
4. Conversion Efficiency of the Si34071-FW-5V-C8 Board. . . . .	8
5. SIFOS PoE Compatibility Test Results . . . . .	9
6. Feedback Loop Phase and Gain Measurement Results (Bode Plots) . . . . .	17
7. Load Step Transient Measurement Results . . . . .	18
8. Output Voltage Ripple . . . . .	19
9. Soft Start Protection . . . . .	20
10. Output Short Protection . . . . .	21
11. High-Power and Low-Power Mode . . . . .	22
12. Adjustable EVB Current Limit. . . . .	24
13. Tunable Switching Frequency . . . . .	25
14. Synchronous Rectification. . . . .	26
15. Maintain Power Signature . . . . .	28
16. Radiated Emissions Measurement Results—EN55032 Class B . . . . .	29
17. Conducted Emissions Measurement Results—EN55032 . . . . .	30
18. Thermal Measurements . . . . .	32
19. Layout . . . . .	33
20. Bill of Materials . . . . .	35
21. Design and Layout Checklist . . . . .	39

## 1. Kit Description and Powering up the Si34071-FW-5V-C8 Board

The Si34071-FW-5V-C8 Forward evaluation board is a 5 V/14 A output power Powered Device reference design for Power over Ethernet (PoE) applications. It provides IEEE 802.3bt interfacing and power supply control in a single chip solution with Si34071. The dc/dc converter utilizes two different operation modes:

- Reset winding forward in low power mode
- Active clamp forward in high power mode

Switching between operation modes is done automatically by the Si34071 dc/dc converter. Input FET bridges are used in order to further improve overall efficiency.

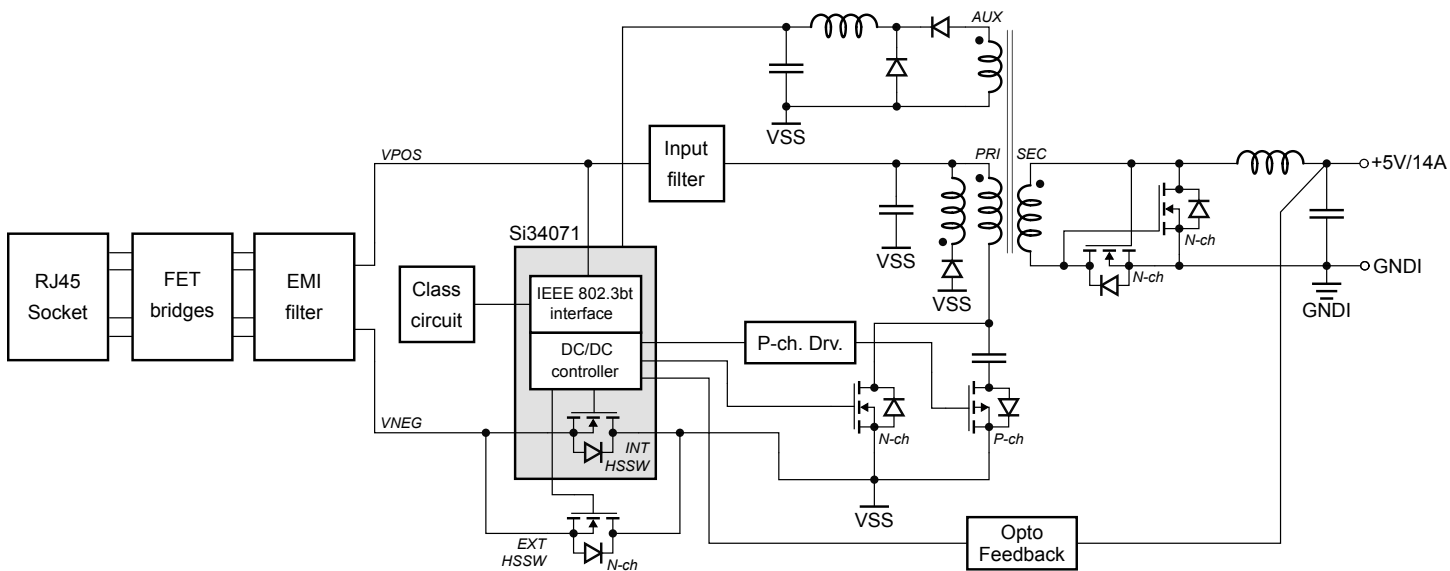


Figure 1.1. Simplified Block Diagram of the Si34071-FW-5V-C8

## 2. Schematics

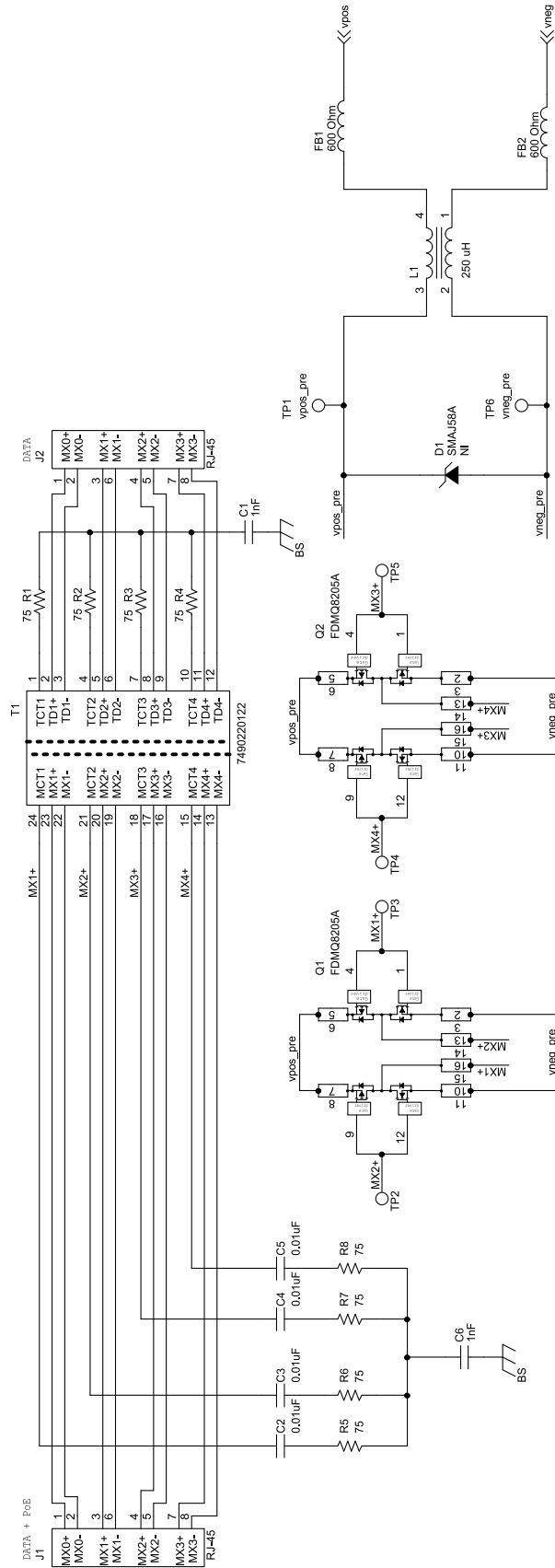


Figure 2.1. Si34071-FW-5V-C8 Schematic: Input interface

Classification BOM

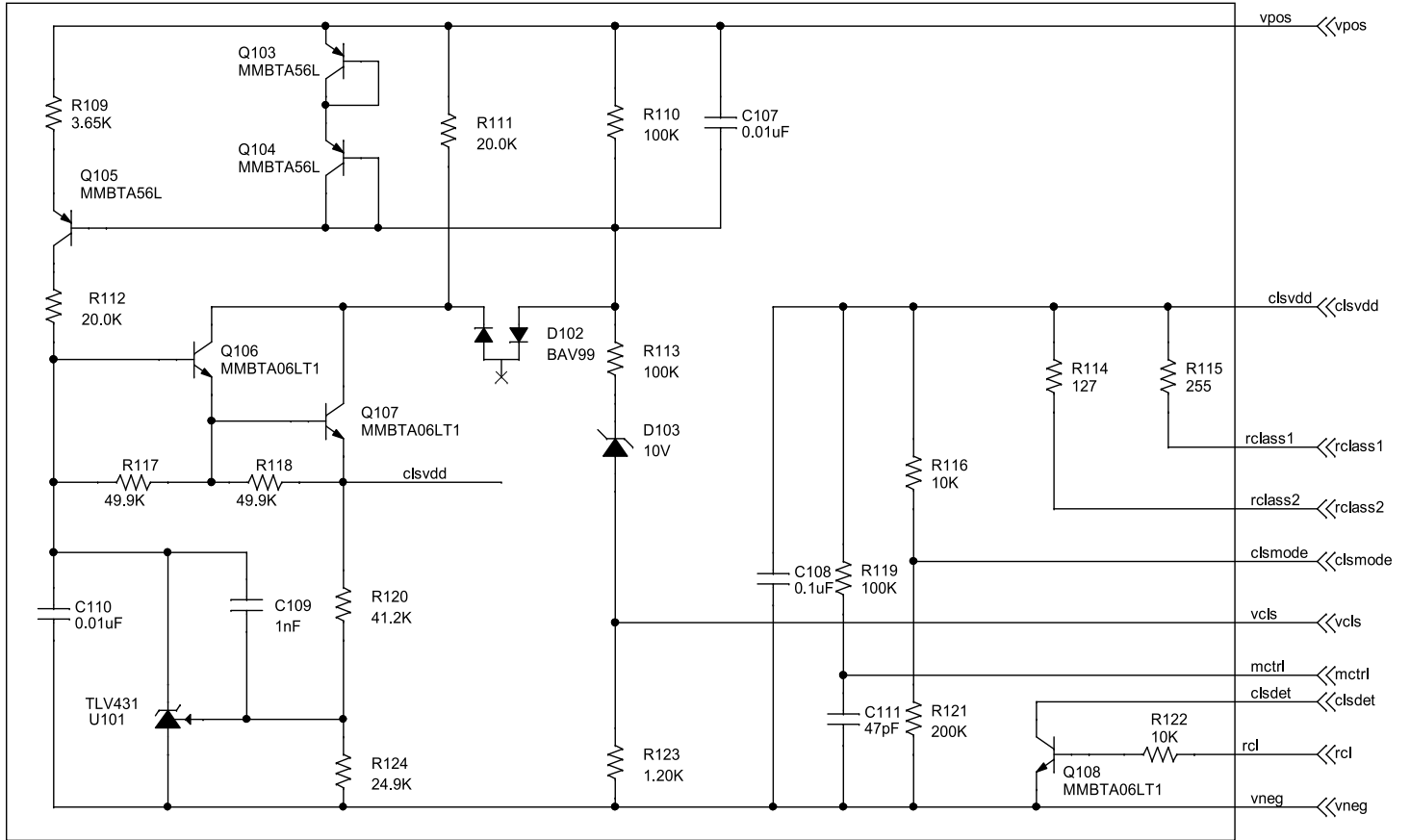


Figure 2.2. Si34071-FW-5V-C8 Schematic: Classification Circuit

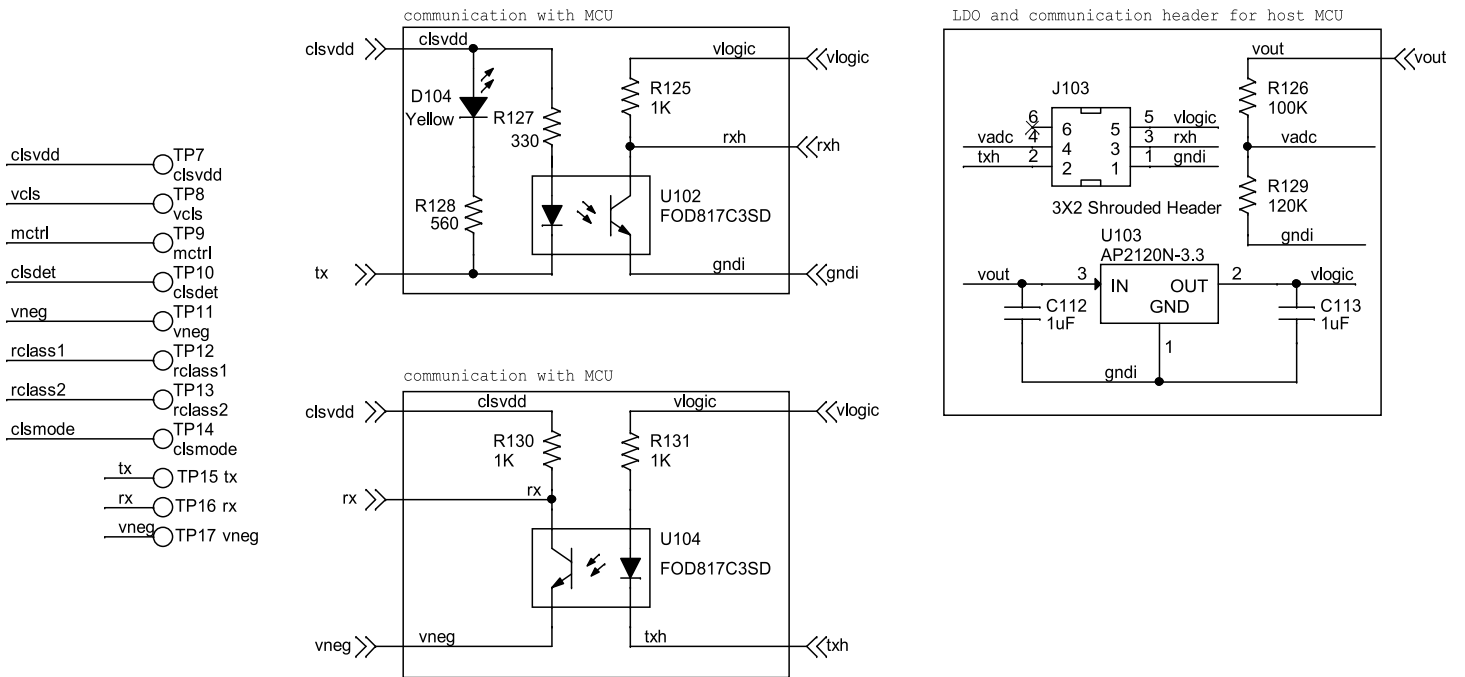


Figure 2.3. Si34071-FW-5V-C8 Schematic: UART Communication (Optional Circuit)

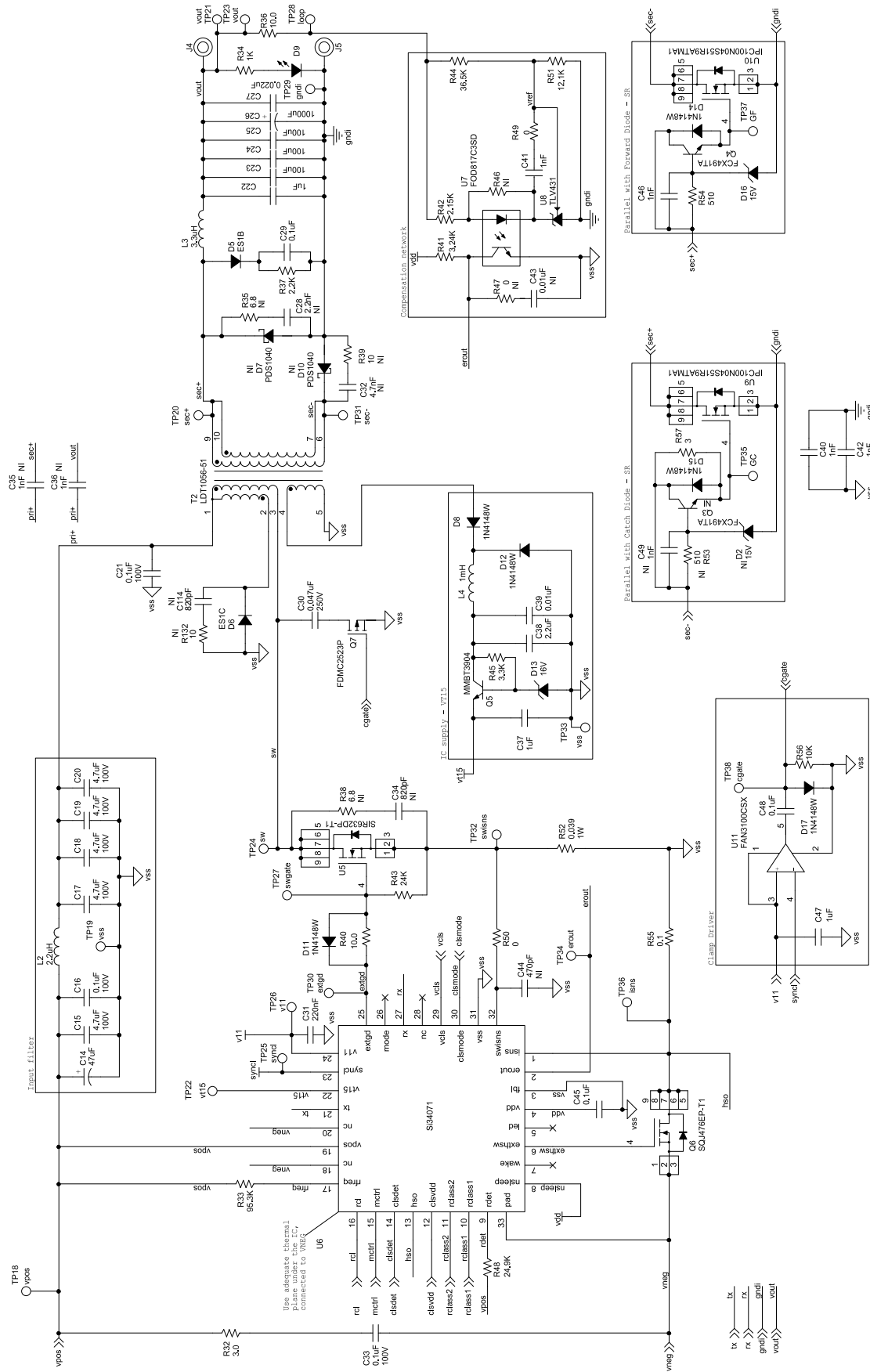


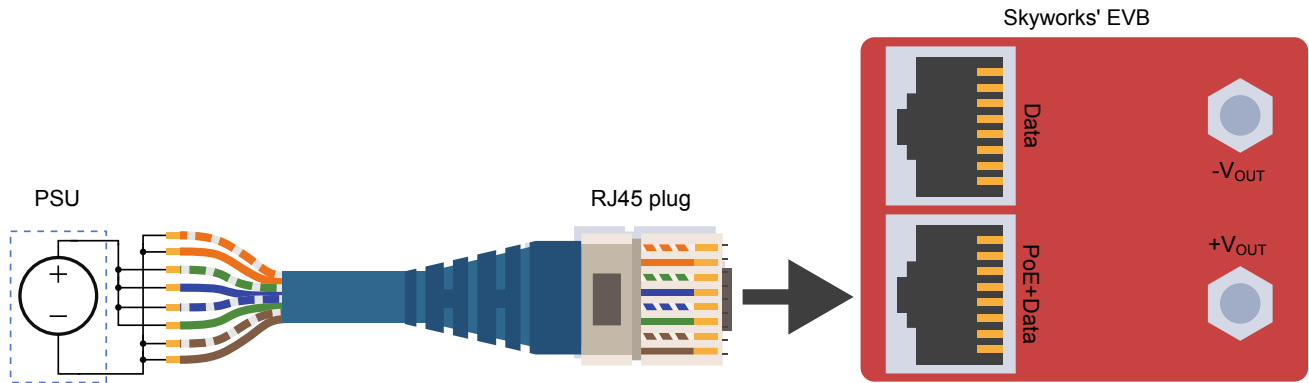
Figure 2.4. Si34071-FW-5V-C8 Schematic: DC-DC Converter

### 3. Getting Started: Powering Up the Si34071-FW-5V-C8 Board

Ethernet data and power are applied to the board through the PoE+Data RJ45 connector (J1). The board itself has no Ethernet data transmission functionality, but, as a convenience, the Ethernet transformer secondary-side data is connected to the Data RJ45 connector (J2). The design can be used in Gigabit (10/100/1000) systems as well.

Power may be applied in the following ways:

- Using an IEEE 802.3bt-compliant (4 pair), PoE-capable PSE, or
- Using a laboratory power supply unit (PSU). The PSU connection is shown below:



**Figure 3.1. Four Pair Connection Using Laboratory Power Supply**

**Note:** 4-pair connection is required for maximum power and highest conversion efficiency.

#### 4. Conversion Efficiency of the Si34071-FW-5V-C8 Board

The end-to-end efficiency measurement data of the Si34071-FW-5V-C8 are shown below. Efficiency was measured from PoE (RJ45 connector) input to the 5 V output. The efficiency was measured on three different input voltage levels, 41 V, 50 V and 57 V.

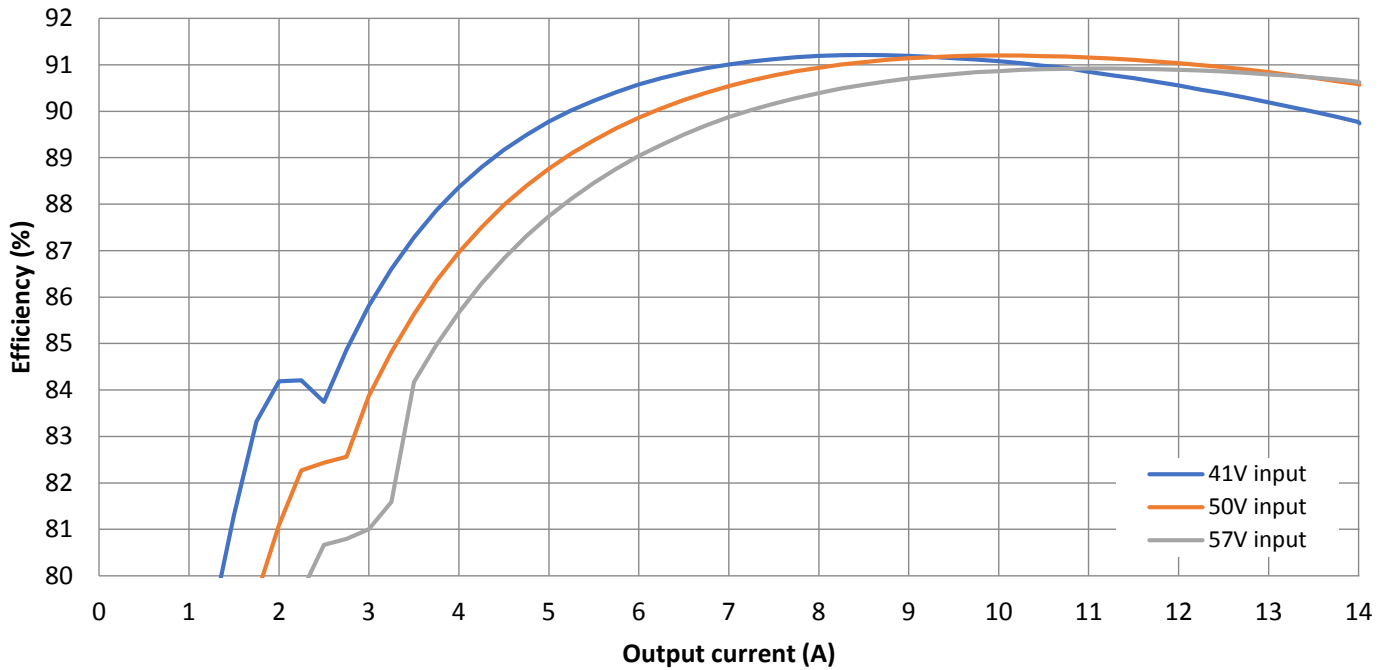


Figure 4.1. Si34071-FW-5V-C8 EVB End-to-End Conversion Efficiency Chart

**Note:** During the efficiency measurements, LED D9 was removed since it is merely an indicator and not a required part of the design.



## 5. SIFOS PoE Compatibility Test Results

The PDA-604A Powered Device Analyzer is a single-box comprehensive solution for testing IEEE 802.3at and IEEE 802.3bt PoE Powered Devices. Si34071-FW-5V-C8 EVB board has been successfully tested with the PDA-604A Powered Device Analyzer from SIFOS Technologies. The following table shows the test results of the SIFOS Technologies 802.3bt Conformance Test Suite version 1.17.

**Table 5.1. Si34071-FW-5V-C8 EVB SIFOS Test Result**

ALT A MDI ALT B MDI									
Detection								Det_Cycles	3
Parameter	Cycle	1	Units	Min	Max	Average	Low Lim	High Lim	P/F
SigType		SINGLE	—	—	—	—	SINGLE	SINGLE	P
Rdet_A		25.49	kΩ	25.49	25.49	25.49	23.50	26.60	P
Rdet_final_A		25.49	kΩ	25.49	25.49	25.49	23.50	26.60	P
Rdet_unpwr_A		-1.00	kΩ	-1.00	0.00	-1.00	<12.00	>45.00	P
Rdet_at_Vmin_A		25.49	kΩ	25.49	25.49	25.49	23.50	26.60	P
Rdet_at_Vmax_A		25.58	kΩ	25.58	25.58	25.58	23.50	26.60	P
Rdet_Voffset_A		0.4	VDC	0.4	0.4	0.4	0.0	1.9	P
Cdet_A		0.10	μF	0.10	0.10	0.10	0.04	0.13	P
Cdet_final_A		0.10	μF	0.10	0.10	0.10	0.04	0.13	P
Rdet_B		25.44	kΩ	25.44	25.44	25.44	23.50	26.60	P
Rdet_final_B		25.46	kΩ	25.46	25.46	25.46	23.50	26.60	P
Rdet_unpwr_B		-1.00	kΩ	-1.00	0.00	-1.00	<12.00	>45.00	P
Rdet_at_Vmin_B		25.55	kΩ	25.55	25.55	25.55	23.50	26.60	P
Rdet_at_Vmax_B		25.65	kΩ	25.65	25.65	25.65	23.50	26.60	P
Rdet_Voffset_B		0.4	VDC	0.4	0.4	0.4	0.0	1.9	P
Cdet_B		0.10	μF	0.10	0.10	0.10	0.04	0.13	P
Cdet_final_B		0.10	μF	0.10	0.10	0.10	0.04	0.13	P
Classification									
ClassNum		8		8	8	—	8	8	P
class_sig_EV1-2_min		39.6	mA	39.6	39.6	39.6	35.3	44.8	P
class_sig_EV1-2_max		41.3	mA	41.3	41.3	41.3	35.3	44.8	P
class_sig_EV3-5_min		28.0	mA	28.0	28.0	28.0	25.5	30.6	P
class_sig_EV3-5_max		29.2	mA	29.2	29.2	29.2	25.5	30.6	P
MarkI		2.41	mA	2.41	2.41	2.41	0.25	4.00	P
Tclass_max		3.4	ms	3.4	3.4	3.4	0.2	5.0	P
lclass_EV1_at_Vmin		39.7	mA	39.7	39.7	39.7	35.5	44.7	P
lclass_EV1_at_Vmax		39.9	mA	39.9	39.9	39.9	35.5	44.7	P
Class_Reset		1		1	1	—	1	1	P
Autoclass		1		1	1	—	1	1	P

Tacs	83.8	ms	83.8	83.8	83.8	75.5	87.5	P
------	------	----	------	------	------	------	------	---

ALT A MDI-X ALT B MDI									
Detection								Det_Cycles	3
Parameter	Cycle	1	Units	Min.	Max	Average	Low Lim	High Lim	P/F
SigType		Single	—	—	—	—	SINGLE	SINGLE	P
Rdet_A		25.44	kΩ	25.44	25.44	25.44	23.50	26.60	P
Rdet_final_A		25.46	kΩ	25.46	25.46	25.46	23.50	26.60	P
Rdet_unpwr_A		>99.00	kΩ	99.00	99.00	99.00	<12.00	>45.00	P
Rdet_at_Vmin_A		25.67	kΩ	25.67	25.67	25.67	23.50	26.60	P
Rdet_at_Vmax_A		25.61	kΩ	25.61	25.61	25.61	23.50	26.60	P
Rdet_Voffset_A		0.4	VDC	0.4	0.4	0.4	0.0	1.9	P
Cdet_A		0.10	μF	0.10	0.10	0.10	0.04	0.13	P
Cdet_final_A		0.10	μF	0.10	0.10	0.10	0.04	0.13	P
Rdet_B		25.51	kΩ	25.51	25.51	25.51	23.50	26.60	P
Rdet_final_B		25.46	kΩ	25.46	25.46	25.46	23.50	26.60	P
Rdet_unpwr_B		>99.00	kΩ	99.00	99.00	99.00	<12.00	>45.00	P
Rdet_at_Vmin_B		25.69	kΩ	25.69	25.69	25.69	23.50	26.60	P
Rdet_at_Vmax_B		25.69	kΩ	25.69	25.69	25.69	23.50	26.60	P
Rdet_Voffset_B		0.3	VDC	0.3	0.3	0.3	0.0	1.9	P
Cdet_B		0.10	μF	0.10	0.10	0.10	0.04	0.13	P
Cdet_final_B		0.10	μF	0.10	0.10	0.10	0.04	0.13	P
Classification									
ClassNum		8	—	8	8	—	8	8	P
class_sig_EV1-2_min		39.2	mA	39.2	39.2	39.2	35.3	44.8	P
class_sig_EV1-2_max		41.3	mA	41.3	41.3	41.3	35.3	44.8	P
class_sig_EV3-5_min		28.0	mA	28.0	28.0	28.0	25.5	30.6	P
class_sig_EV3-5_max		29.2	mA	29.2	29.2	29.2	25.5	30.6	P
MarkI		2.41	mA	2.41	2.41	2.41	0.25	4.00	P
Tclass_max		3.4	ms	3.4	3.4	3.4	0.2	5.0	P
lclass_EV1_at_Vmin		40.2	mA	40.2	40.2	40.2	35.5	44.7	P
lclass_EV1_at_Vmax		40.2	mA	40.2	40.2	40.2	35.5	44.7	P
Class_Reset		1	—	1	1	—	1	1	P
Autoclass		1	—	1	1	—	1	1	P
Tacs		83.8	ms	83.8	83.8	83.8	75.5	87.5	P
Power-Up / Down									
Parameter	Cycle:	1	Units	Min	Max	Average	Low Lim	High Lim	P/F
linrush		166.0	mA	166.0	166.0	166.0	0.0	800.0	P
Tinrush_energy		0.403	J	0.403	0.403	0.403	0.000	2.083	P
linrush_A		83.9	mA	83.9	83.9	83.9	0.0	600.0	P

Tinrush_energy_A	0.204	J	0.204	0.204	0.204	0.000	1.562	P
I <sub>max_Tdelay_A</sub>	77.8	mA	77.8	77.8	77.8	0.0	600.0	P
I <sub>inrush_B</sub>	82.4	mA	82.4	82.4	82.4	0.0	400.0	P
Tinrush_energy_B	0.200	J	0.200	0.200	0.200	0.000	1.040	P
I <sub>max_Tdelay_B</sub>	76.3	mA	76.3	76.3	76.3	0.0	400.0	P
V <sub>refl</sub>	1.3	VDC	1.3	1.3	1.3	0.0	2.8	P
V <sub>on</sub>	36.4	VDC	36.4	36.4	36.4	30.0	42.0	P
V <sub>off</sub>	32.9	VDC	32.9	32.9	32.9	30.0	42.0	P
V <sub>hyst</sub>	3.5	VDC	3.5	3.5	3.5	0.0	12.0	P

2 Pair Powered Type-1 PHY		<i>PSE Emulation</i>		On Time	10 s	Off Time	10 s	Vport	48.0
Parameter	Cycle	1	Units	Min	Max	Average	Low Lim	High Lim	P/F
MinI_1		56.2	mA	56.2	56.2	56.2	0.0	299.4	P
Vport_1		48.1	VDC	48.1	48.1	48.1	37.0	57.0	INFO
Ppeak_1		2.83	W	2.83	2.83	2.83	0.0	14.4	P
Pport_1		2.73	W	2.73	2.73	2.73	0.0	13.0	P
PeakViolation_1		0		0	0	—	0	0	P
MPSViolation_1		0		0	0	—	0	0	P
TcutWindowViolation_1		0		0	0	—	0	0	P
DutyCycleViolation_1		0		0	0	—	0	0	P
2 Pair Powered Type-2 PHY		<i>PSE Emulation</i>		On Time	10 sec	Off Time	10 sec	Vport	50.0
Parameter	Cycle	1	Units	Min	Max	Average	Low Lim	High Lim	P/F
MinI_2		7.7	mA	7.7	7.7	7.7	0.0	565.0	P
Vport_2		50.2	VDC	50.2	50.2	50.2	42.5	57.0	INFO
Ppeak_2		3.28	W	3.28	3.28	3.28	0.0	28.3	P
Pport_2		2.82	W	2.82	2.82	2.82	0.0	25.5	P
PeakViolation_2		0		0	0	—	0	0	P
MPSViolation_2		0		0	0	—	0	0	P
TcutWindowViolation_2		0		0	0	—	0	0	P
DutyCycleViolation_2		0		0	0	—	0	0	P
4 Pair Powered Type-3 PHY		<i>PSE Emulation</i>		On Time	10 sec	Off Time	10 sec	Vport	50.0
Parameter	Cycle	1	Units	Min	Max	Average	Low Lim	High Lim	P/F
MinI_3		9.4	mA	9.4	9.4	9.4	0.0	1070.0	P
Vport-2P_3_A		50.0	VDC	50.0	50.0	50.0	42.5	57.0	INFO
Vport-2P_3_B		50.0	VDC	50.0	50.0	50.0	42.5	57.0	INFO
Ppeak_3		3.29	W	3.29	3.29	3.29	0.0	53.5	P
Pport_3		2.89	W	2.89	2.89	2.89	0.0	3.0	P
PeakViolation_3		0		0	0	—	0	0	P
MPSViolation_3		0		0	0	—	0	0	P
TcutWindowViolation_3		0		0	0	—	0	0	P
DutyCycleViolation_3		0		0	0	—	0	0	P
4 Pair Powered Type-4 PHY		<i>PSE Emulation</i>		On Time	30 sec	Off Time	10 sec	Vport	52.0
Parameter	Cycle	1	Units	Min	Max	Average	Low Lim	High Lim	P/F
MinI_4		9.8	mA	9.8	9.8	9.8	0.0	1440.4	P
Vport-2P_4_A		52.0	VDC	52.0	52.0	52.0	41.1	57.0	INFO
Vport-2P_4_B		52.0	VDC	52.0	52.0	52.0	41.1	57.0	INFO

Ppeak_4	3.23	W	3.23	3.23	3.23	0.0	74.9	P
Pport_4	3.01	W	3.01	3.01	3.01	0.0	3.1	P
PeakViolation_4	0		0	0	—	0	0	P
MPSViolation_4	0		0	0	—	0	0	P
TcutWindowViolation_4	0		0	0	—	0	0	P
DutyCycleViolation_4	0		0	0	—	0	0	P

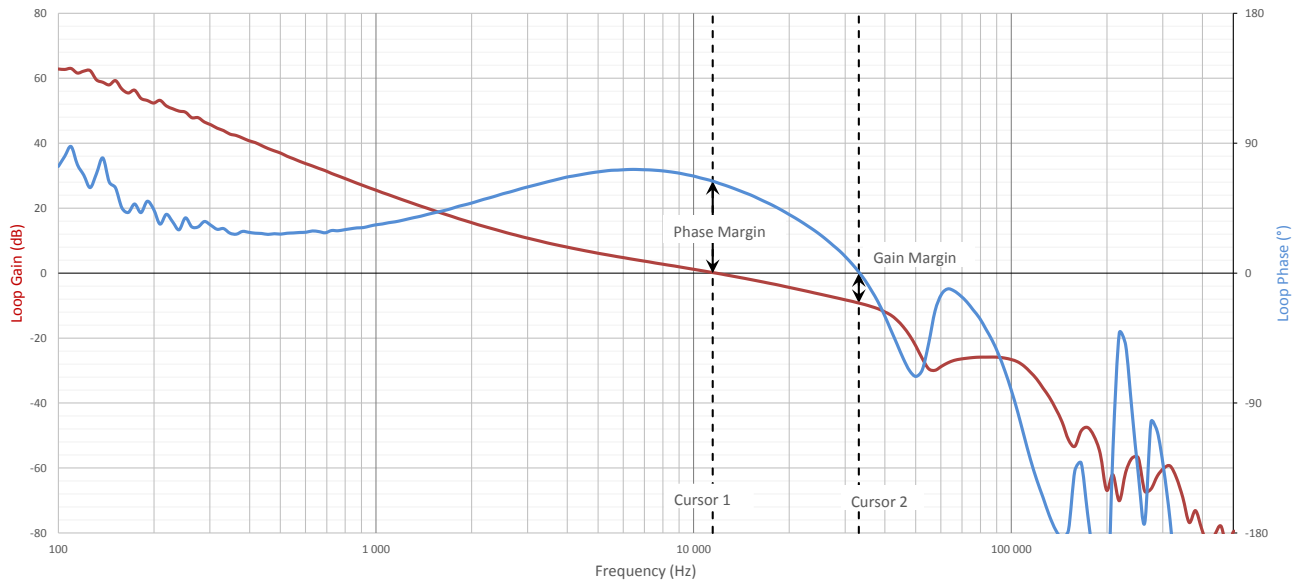
ALT A MDI ALT B MDI-X									
Detection								Det_Cycles	3
Parameter	Cycle:	1	Units	Min	Max	Average	Low Lim	High Lim	P/F
SigType		SINGLE	—	—	—	—	Single	Single	P
Rdet_A		25.41	kΩ	25.41	25.41	25.41	23.50	26.60	P
Rdet_final_A		25.41	kΩ	25.41	25.41	25.41	23.50	26.60	P
Rdet_unpwr_A		-1.00	kΩ	-1.00	0.00	-1.00	<12.00	>45.00	P
Rdet_at_Vmin_A		25.54	kΩ	25.54	25.54	25.54	23.50	26.60	P
Rdet_at_Vmax_A		25.66	kΩ	25.66	25.66	25.66	23.50	26.60	P
Rdet_Voffset_A		0.4	VDC	0.4	0.4	0.4	0.0	1.9	P
Cdet_A		0.10	μF	0.10	0.10	0.10	0.04	0.13	P
Cdet_final_A		0.10	μF	0.10	0.10	0.10	0.04	0.13	P
Rdet_B		25.41	kΩ	25.41	25.41	25.41	23.50	26.60	P
Rdet_final_B		25.36	kΩ	25.36	25.36	25.36	23.50	26.60	P
Rdet_unpwr_B		-1.00	kΩ	-1.00	0.00	-1.00	<12.00	>45.00	P
Rdet_at_Vmin_B		25.63	kΩ	25.63	25.63	25.63	23.50	26.60	P
Rdet_at_Vmax_B		25.64	kΩ	25.64	25.64	25.64	23.50	26.60	P
Rdet_Voffset_B		0.4	VDC	0.4	0.4	0.4	0.0	1.9	P
Cdet_B		0.10	μF	0.10	0.10	0.10	0.04	0.13	P
Cdet_final_B		0.10	μF	0.10	0.10	0.10	0.04	0.13	P
Classification									
ClassNum		8		8	8	—	8	8	P
class_sig_EV1-2_min		39.6	mA	39.6	39.6	39.6	35.3	44.8	P
class_sig_EV1-2_max		41.3	mA	41.3	41.3	41.3	35.3	44.8	P
class_sig_EV3-5_min		28.0	mA	28.0	28.0	28.0	25.5	30.6	P
class_sig_EV3-5_max		29.2	mA	29.2	29.2	29.2	25.5	30.6	P
MarkI		2.41	mA	2.41	2.41	2.41	0.25	4.00	P
Tclass_max		3.4	ms	3.4	3.4	3.4	0.2	5.0	P
lclass_EV1_at_Vmin		40.0	mA	40.0	40.0	40.0	35.5	44.7	P
lclass_EV1_at_Vmax		40.0	mA	40.0	40.0	40.0	35.5	44.7	P
Class_Reset		1		1	1	—	1	1	P
Autoclass		1		1	1	—	1	1	P
Tacs		83.8	ms	83.8	83.8	83.8	75.5	87.5	P

ALT A MDI-X ALT B MDI-X									
Detection								Det_Cycles	3
Parameter	Cycle	1	Units	Min	Max	Average	Low Lim	High Lim	P/F
SigType	SINGLE	—	—	—	—	—	Single	Single	P
Rdet_A		25.41	kΩ	25.41	25.41	25.41	23.50	26.60	P
Rdet_final_A		25.46	kΩ	25.46	25.46	25.46	23.50	26.60	P
Rdet_unpwr_A		-1.00	kΩ	-1.00	0.00	-1.00	<12.00	>45.00	P
Rdet_at_Vmin_A		25.51	kΩ	25.51	25.51	25.51	23.50	26.60	P
Rdet_at_Vmax_A		25.60	kΩ	25.60	25.60	25.60	23.50	26.60	P
Rdet_Voffset_A		0.4	VDC	0.4	0.4	0.4	0.0	1.9	P
Cdet_A		0.10	μF	0.10	0.10	0.10	0.04	0.13	P
Cdet_final_A		0.10	μF	0.10	0.10	0.10	0.04	0.13	P
Rdet_B		25.44	kΩ	25.44	25.44	25.44	23.50	26.60	P
Rdet_final_B		25.39	kΩ	25.39	25.39	25.39	23.50	26.60	P
Rdet_unpwr_B		-1.00	kΩ	-1.00	0.00	-1.00	<12.00	>45.00	P
Rdet_at_Vmin_B		25.61	kΩ	25.61	25.61	25.61	23.50	26.60	P
Rdet_at_Vmax_B		25.67	kΩ	25.67	25.67	25.67	23.50	26.60	P
Rdet_Voffset_B		0.3	VDC	0.3	0.3	0.3	0.0	1.9	P
Cdet_B		0.10	μF	0.10	0.10	0.10	0.04	0.13	P
Cdet_final_B		0.10	μF	0.10	0.10	0.10	0.04	0.13	P
Classification									
ClassNum		8		8	8	—	8	8	P
class_sig_EV1-2_min		39.6	mA	39.6	39.6	39.6	35.3	44.8	P
class_sig_EV1-2_max		41.3	mA	41.3	41.3	41.3	35.3	44.8	P
class_sig_EV3-5_min		28.0	mA	28.0	28.0	28.0	25.5	30.6	P
class_sig_EV3-5_max		29.2	mA	29.2	29.2	29.2	25.5	30.6	P
MarkI		2.41	mA	2.41	2.41	2.41	0.25	4.00	P
Tclass_max		3.4	ms	3.4	3.4	3.4	0.2	5.0	P
lclass_EV1_at_Vmin		40.0	mA	40.0	40.0	40.0	35.5	44.7	P
lclass_EV1_at_Vmax		40.0	mA	40.0	40.0	40.0	35.5	44.7	P
Class_Reset		1		1	1	—	1	1	P
Autoclass		1		1	1	—	1	1	P
Tacs		83.8	ms	83.8	83.8	83.8	75.5	87.5	P



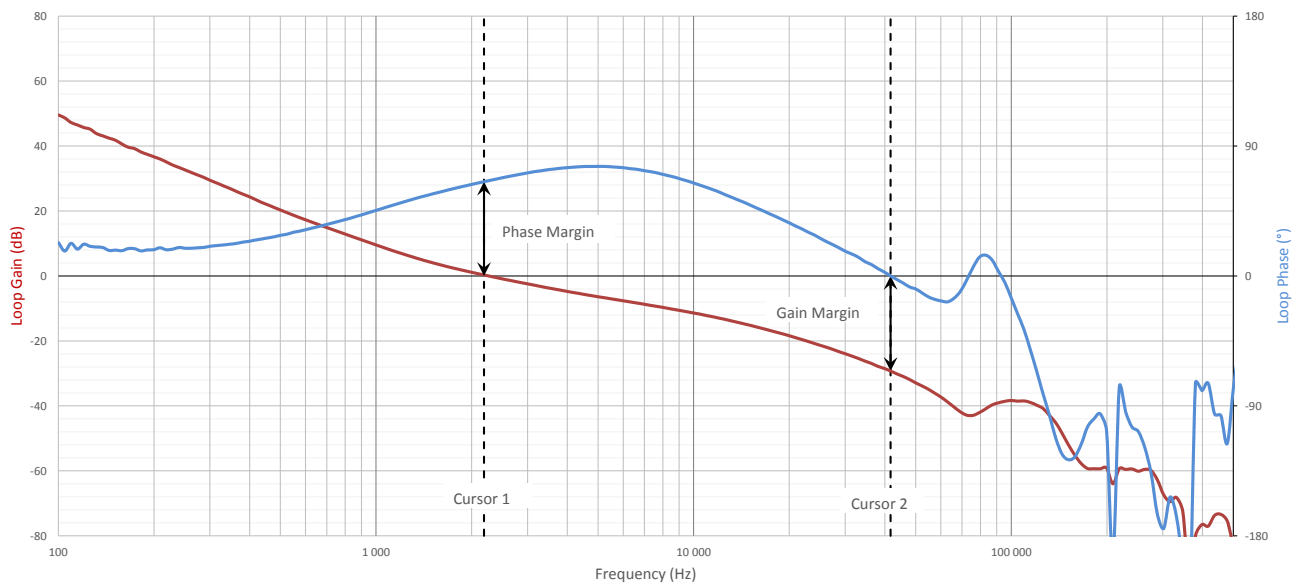
## 6. Feedback Loop Phase and Gain Measurement Results (Bode Plots)

The Si34071 device integrates a current mode-controlled switching mode power supply controller circuit. Therefore, the application is a closed-loop system. To guarantee a stable output voltage of a power supply and to reduce the influence of input supply voltage variations and load changes on the output voltage, the feedback loop should be stable. To verify the stability of the loop, the loop gain and loop phase has been measured.



**Figure 6.1. Si34071-FW-5V-C8 EVB Measured Loop-Gain and Phase with 70W Load**

	Frequency	Gain	Phase
Phase Margin (Cursor 1)	11.4 kHz	0 dB	64°
Gain Margin (Cursor 2)	33.2 kHz	-9.2 dB	0°



**Figure 6.2. Si34071-FW-5V-C8 EVB Measured Loop-Gain and Phase with Unloaded Output**

	Frequency	Gain	Phase
Phase Margin (Cursor 1)	2.2 kHz	0 dB	65°
Gain Margin (Cursor 2)	41.2 kHz	-29.0 dB	0°

## 7. Load Step Transient Measurement Results

The Si34071-FW-5V-C8 output has been tested with a load step function to verify the converters output dynamic response. The output was tested with a 10%→90% and a 90%→10% load step.

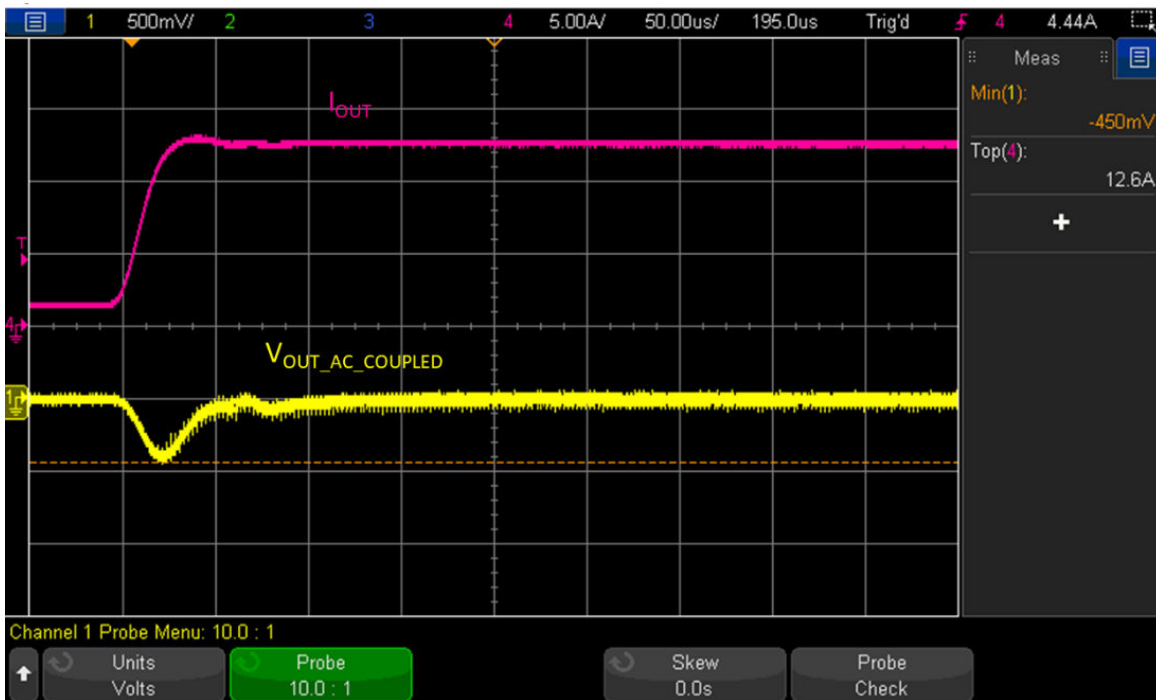


Figure 7.1. 5 V Output Load-Step Response (Current Step: 1.4 A ↔ 12.6 A)

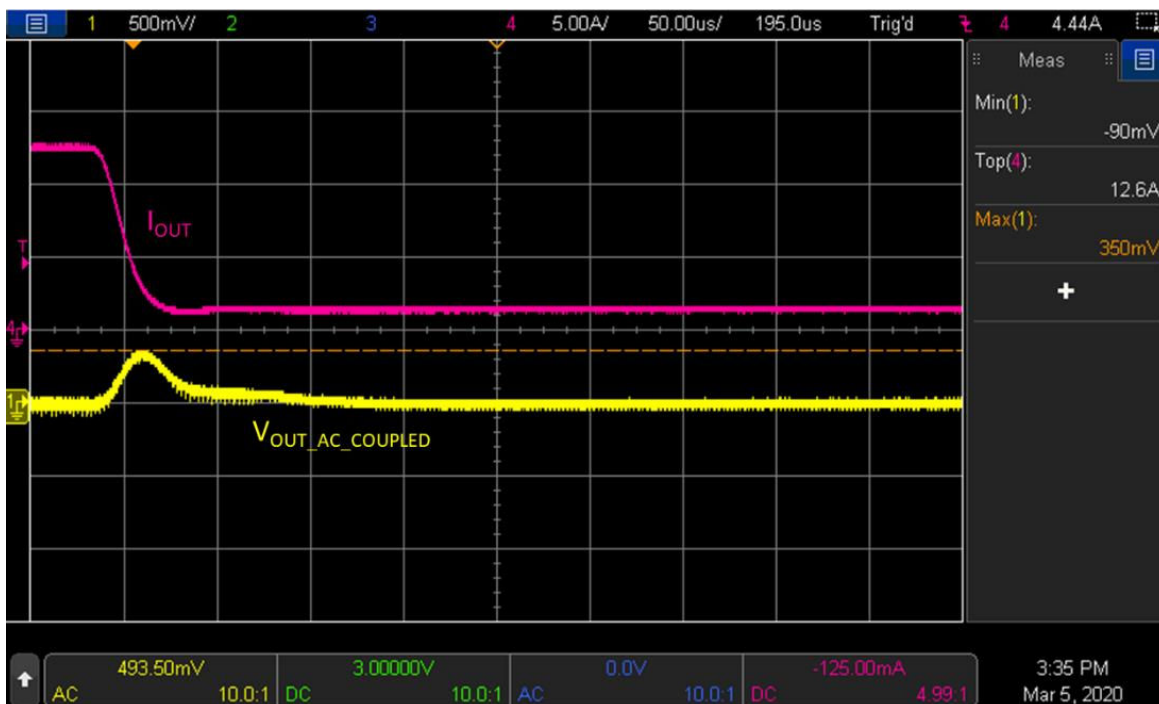


Figure 7.2. 5 V Output Load-Step Response (Current Step: 12.6 A ↔ 1.4 A)

Current Step	Undershoot/Overshoot
10% to 90%	-450 mV
90% to 10%	350 mV

## 8. Output Voltage Ripple

The Si34071-FW-5V-C8 board's output voltage ripple has been measured at no-load and full-load conditions with 50 V input voltage. The following figures show the respective results.

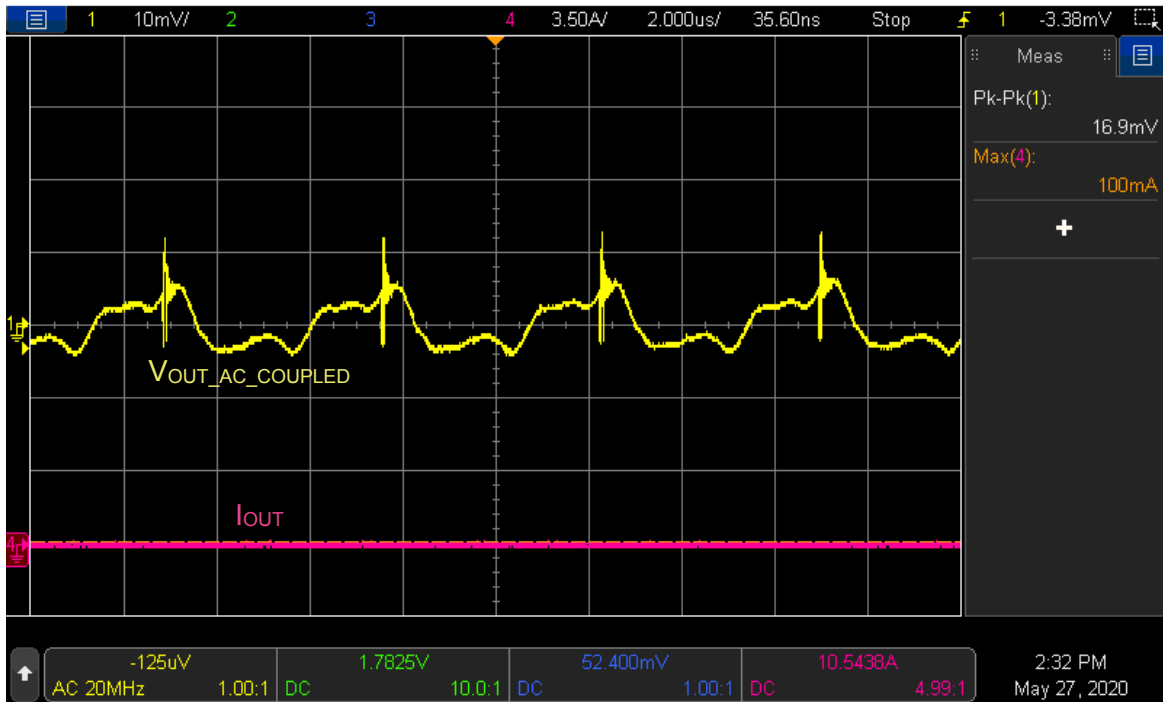


Figure 8.1. Si34071-FW-5V-C8 Output Voltage Ripple at No-Load Condition (17 mV)

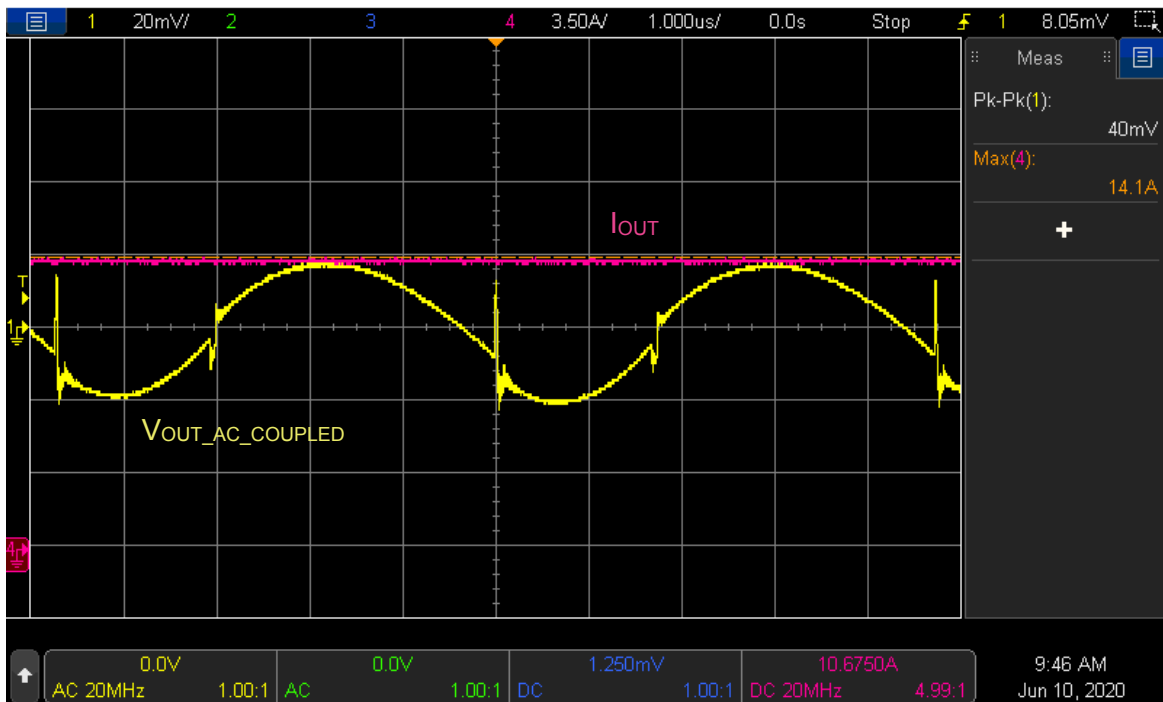


Figure 8.2. Si34071-FW-5V-C8 Output Voltage Ripple at Full-Load Condition (40 mV)

## 9. Soft Start Protection

The Si34071 device has an integrated dynamic soft-start protection mechanism to avoid stressing the components by the sudden current or voltage changes associated with the initial charging of the output capacitors.

The Si34071 intelligent adaptive soft-start mechanism does not require any external component to install. The controller continuously measures the input current of the PD and dynamically adjusts the internal  $I_{PEAK}$  limit during soft-start, thus adjusting the output voltage ramp-up time as a function of the attached load.

The controller allows the output voltage to rise faster in no-load (or light load) conditions. With a heavy load at the output, the controller slows down the output voltage ramp to avoid exceeding the desired regulated output voltage value.

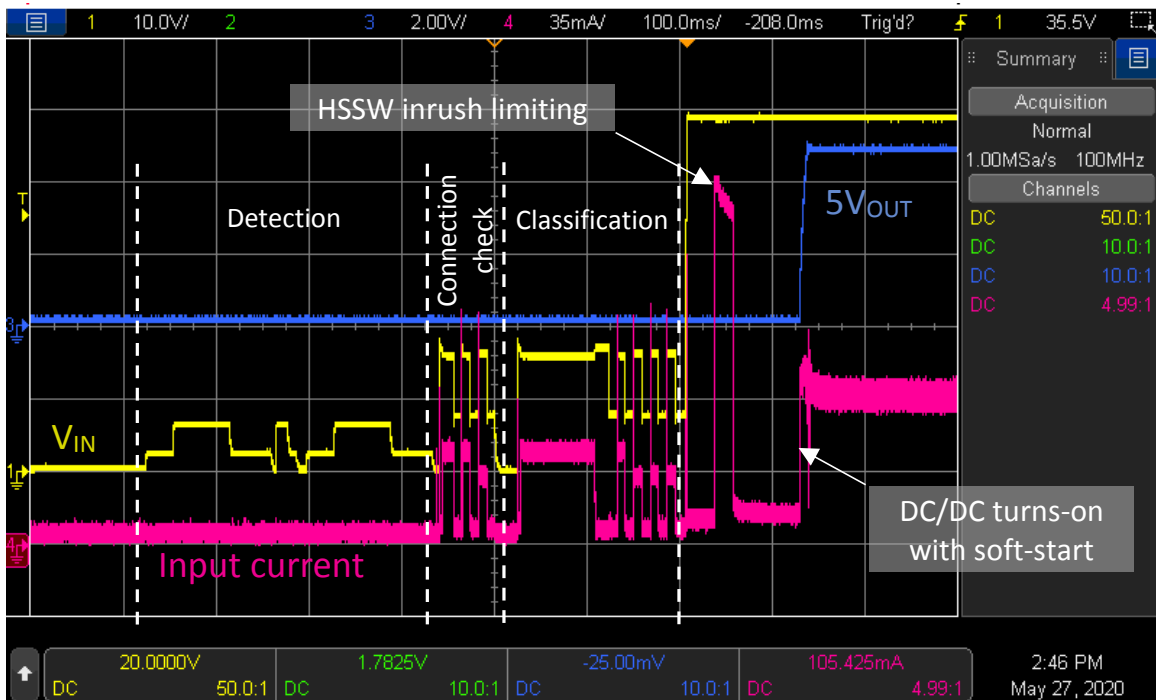


Figure 9.1. Soft Start Waveforms at No Load Condition

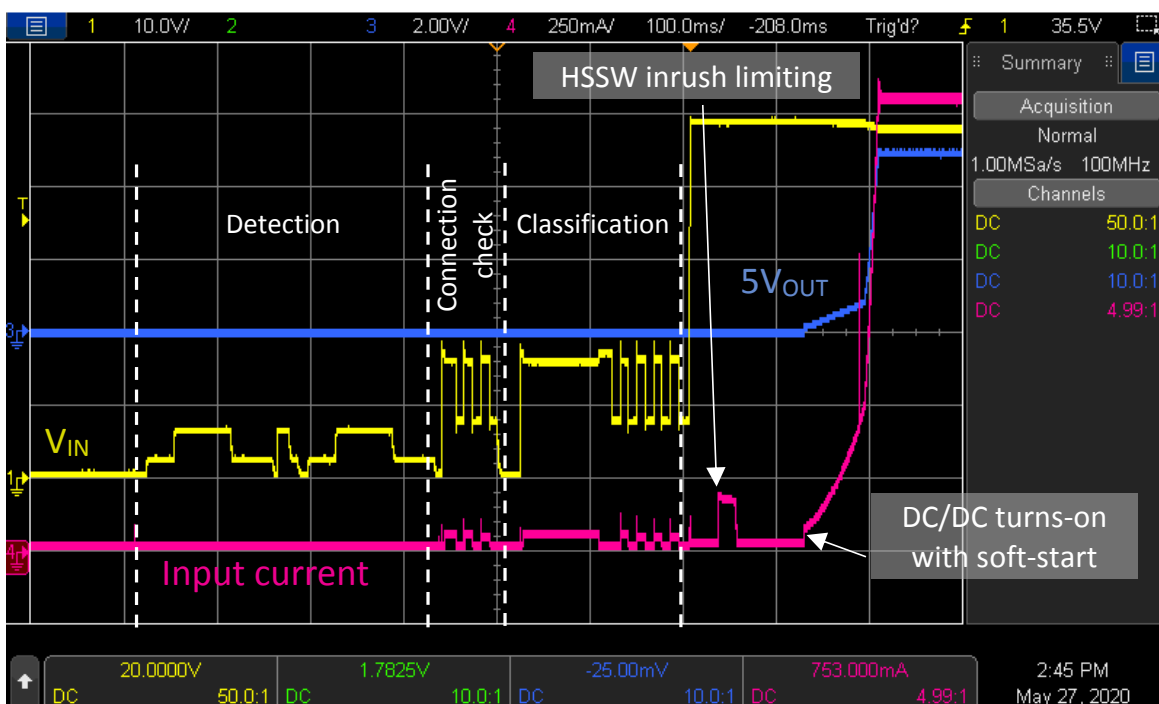


Figure 9.2. Soft Start Waveforms at Full Load Condition (70 W)

## 10. Output Short Protection

The Si34071 device has an integrated output short-protection mechanism that protects the IC itself and the surrounding external components from overheating, overvoltage, overcurrent in case of an electrical short on the output. In case of short the energy is not reducing from the output filter inductor because the voltage on the inductor is very low. To avoid overstressing the components in output "short", the Si34071 sequentially resets itself and restarts with soft-start as long as the output short persists. The following figure shows both primary forward switch (U5) drain-to-source voltage and main XFMR (T2) secondary voltage stays at safe level under output short.

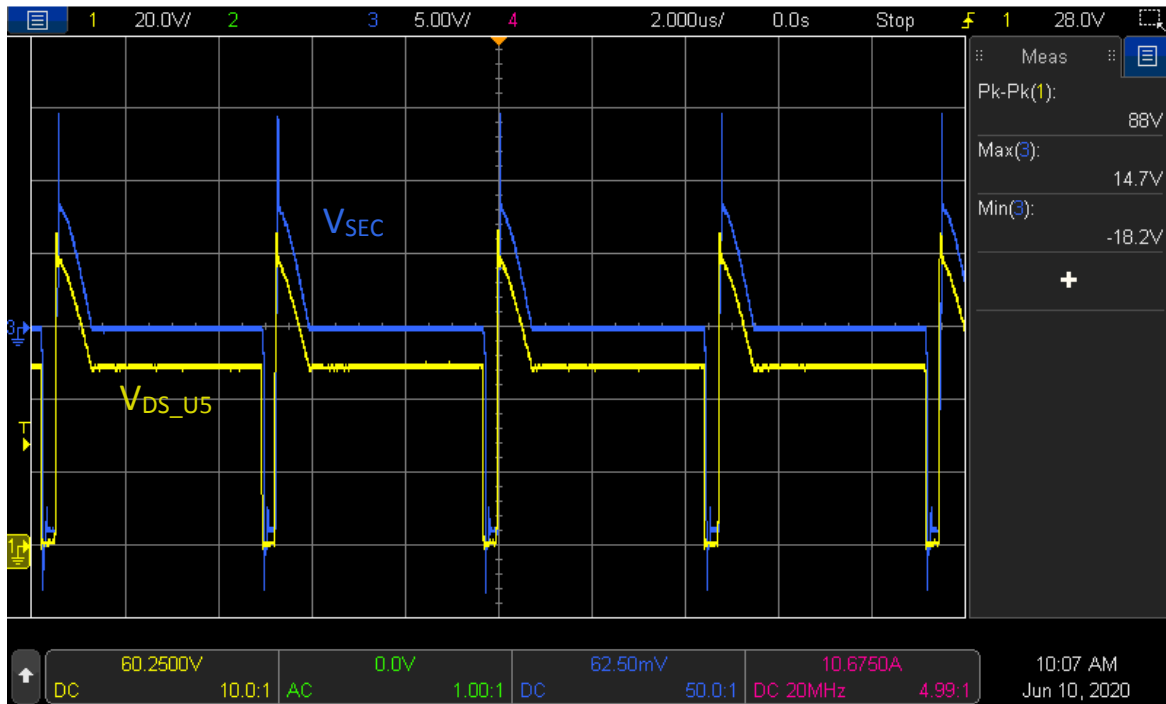


Figure 10.1. Si34071-FW-5V-C8 Output Short Protection Mechanism

## 11. High-Power and Low-Power Mode

The Si34071 senses the average input current via the  $R_{SENSE}$  external current sense resistor (R55) connected between the ISNS pin and  $V_{SS}$ . Attention must be paid that the sensed voltage on the ISNS pin goes below  $V_{SS}$ . Depending on the voltage on the current sense resistor ( $V_{SENSE}$ ) the Si34071 automatically switches between low-power and high-power mode. The Si34071 compares  $V_{SENSE}$  with its internally fixed  $V_{ISNS\_LC}$  ( $-30\text{ mV typ.}$ ) threshold and depending on the comparison the converter can switch to:

- Low-power mode, if  $V_{SENSE} < |-30\text{ mV}|$
- High-power mode, if  $V_{SENSE} > |-30\text{ mV}|$

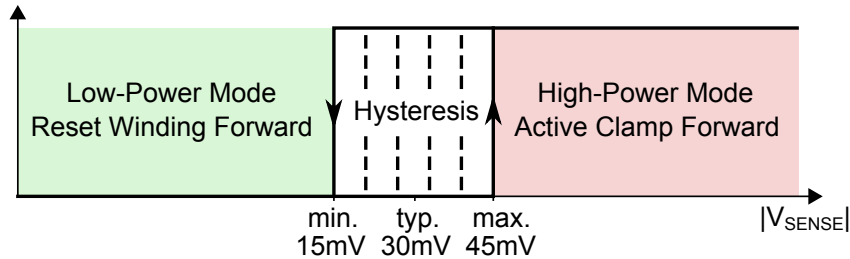


Figure 11.1. Operating Modes of the Si34071

In low-power mode, both the SYNCL and EXTHSW output remain low, and the transformer core reset is performed by the reset winding circuitry. In this mode input current can flow only on the Si34071’s internal hot swap switch. In high-power mode, the EXTHSW output turns on the external hot swap switch (Q6) and input current will be shared between the Si34071’s internal and the external hot swap switch. In addition, SYNCL starts switching, so core reset is performed by the active clamp circuitry. The following figures show switching between low-power and high-power modes as the output load changes.

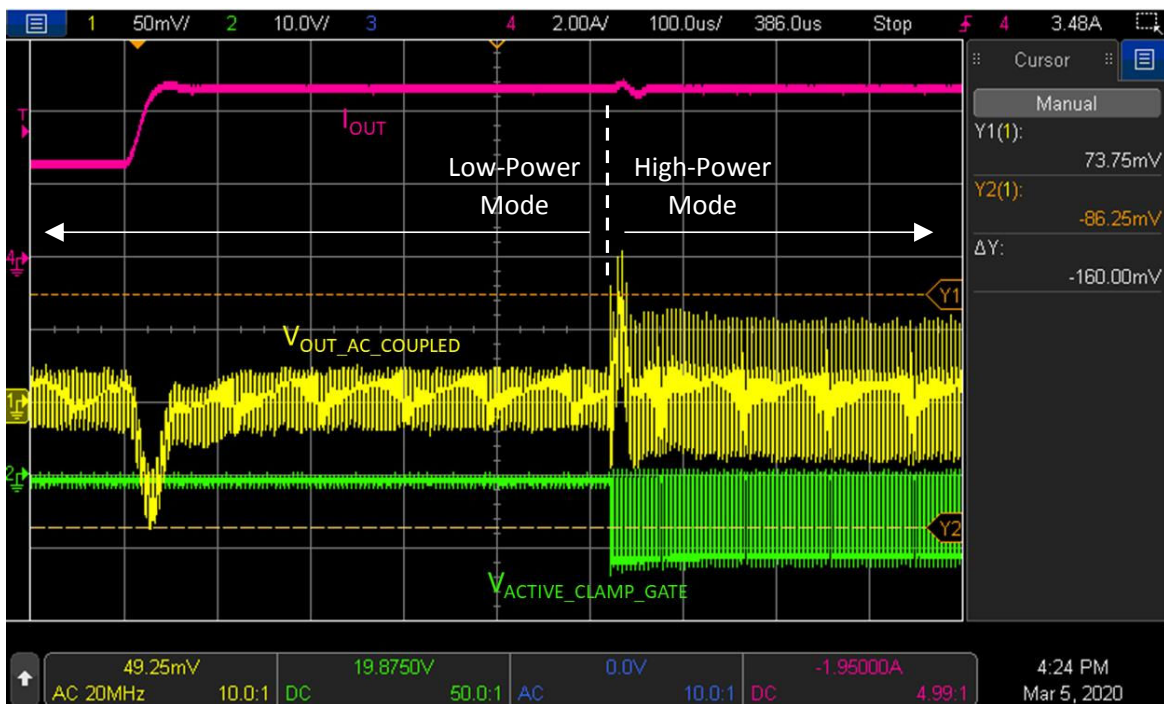


Figure 11.2. Low-Power Mode to High-Power mode transition ( $I_{OUT}$  changes from 2.6 A to 4.7 A)

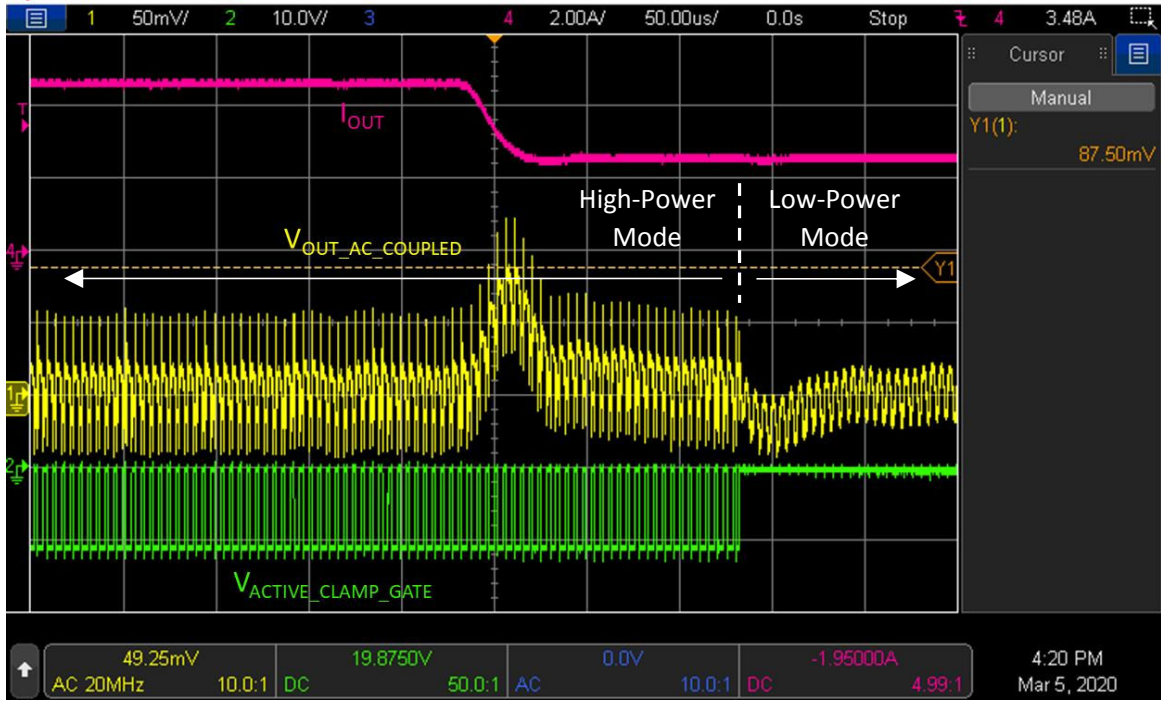


Figure 11.3. High-Power Mode to Low-Power mode transition ( $I_{OUT}$  changes from 4.7 A to 2.6 A)

## 12. Adjustable EVB Current Limit

The Si34071 has an adjustable average input current limit feature controlled by  $R_{SENSE}$  (R55). When the voltage on  $R_{SENSE}$  reaches the internally fixed  $-270$  mV (referenced to VSS), the current limit circuit restarts the controller with soft-start to protect the application from overcurrent. In a Class 8 application, the recommended value for  $R_{SENSE}$  is  $100$  m $\Omega$ . Based on this value the average input current limit is given by the following formula:

$$R_{SENSE} = 100m\Omega$$

$$I_{LIMIT} = \frac{270mV}{100m\Omega} = 2.7A$$

### Equation 1. Average Input Current Limit

As can be seen in the previous chapter  $R_{SENSE}$  determines both external hotswap switch and SYNCL turn-on threshold. To not to exceed the internal hotswap switch continuous operating current limit ( $I_{MAXHSSW}$ ) the  $R_{SENSE}$  must be higher than  $75$  m $\Omega$ . The worst-case calculation is shown below using the minimum value of  $V_{ISNS\_LC}$ :

$$R_{SENSE\ MIN} = \frac{|V_{ISNS\_LC\_MIN}|}{I_{MAXHSSW}} = \frac{45mV}{600mA} = 75m\Omega$$

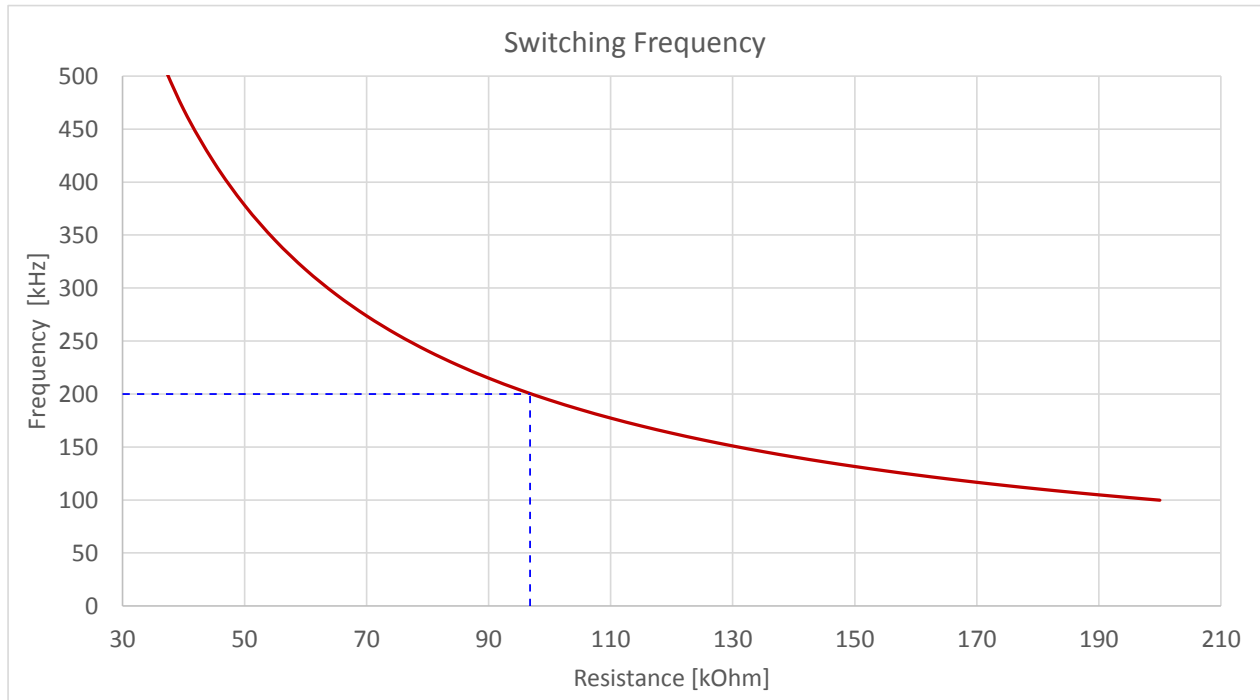
### Equation 2. Minimum $R_{SENSE}$ Calculation

If the voltage reaches the  $V_{ISNS\_LC}$  limit, the controller enters high-power mode. It turns on the external hotswap switch connected in parallel with the internal hotswap switch, and they share the input current, inversely proportional to its  $R_{DSON}$ .



### 13. Tunable Switching Frequency

The switching frequency of the oscillator is selected by choosing an external resistor R33 connected between the RFREQ and VPOS pins. The following figure will aid in selecting the  $R_{\text{RFREQ}}$  value to achieve the desired switching frequency



**Figure 13.1. Switching Frequency vs. RFREQ**

The selected switching frequency for Si34071-FW-5V-C8 is 200 kHz, which is achieved by setting resistor R33 to 95.3 kΩ.

## 14. Synchronous Rectification

The Si34071-FW-5V-C8 EVB uses self-driven synchronous rectification on the secondary side of the transformer. This eliminates the extra active drive circuit both for the secondary forward switch (U10) and the secondary freewheeling switch (U9). The figure below shows the self-driven synchronous rectification related part of the schematic. The gates of the secondary switches are driven by the secondary winding of the power transformer (T2). The secondary forward switch gate voltage amplitude depends on the duty cycle of the converter, so a voltage clamp circuit (Q4-D16-R54-C46) is required to protect the U10 gate from excessive voltages.

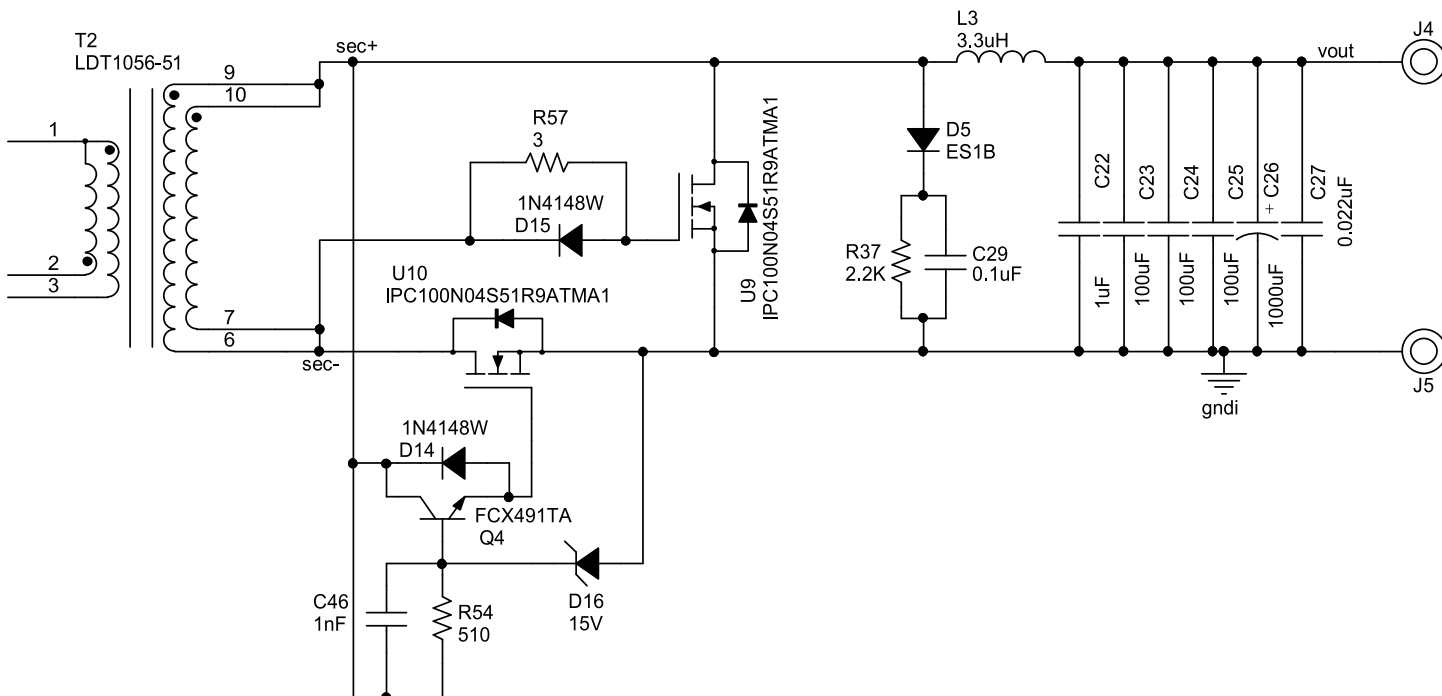


Figure 14.1. Self-Driven Synchronous Rectification

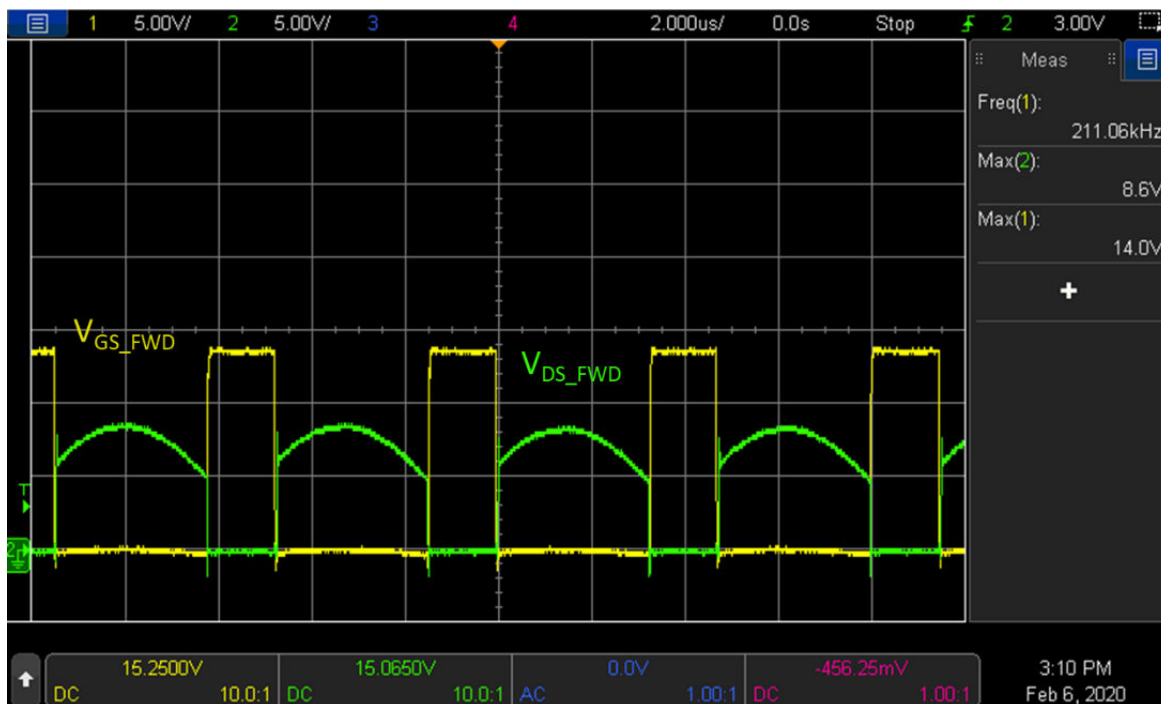


Figure 14.2. Voltages of Secondary Forward Switch (U10) in High-Power Mode

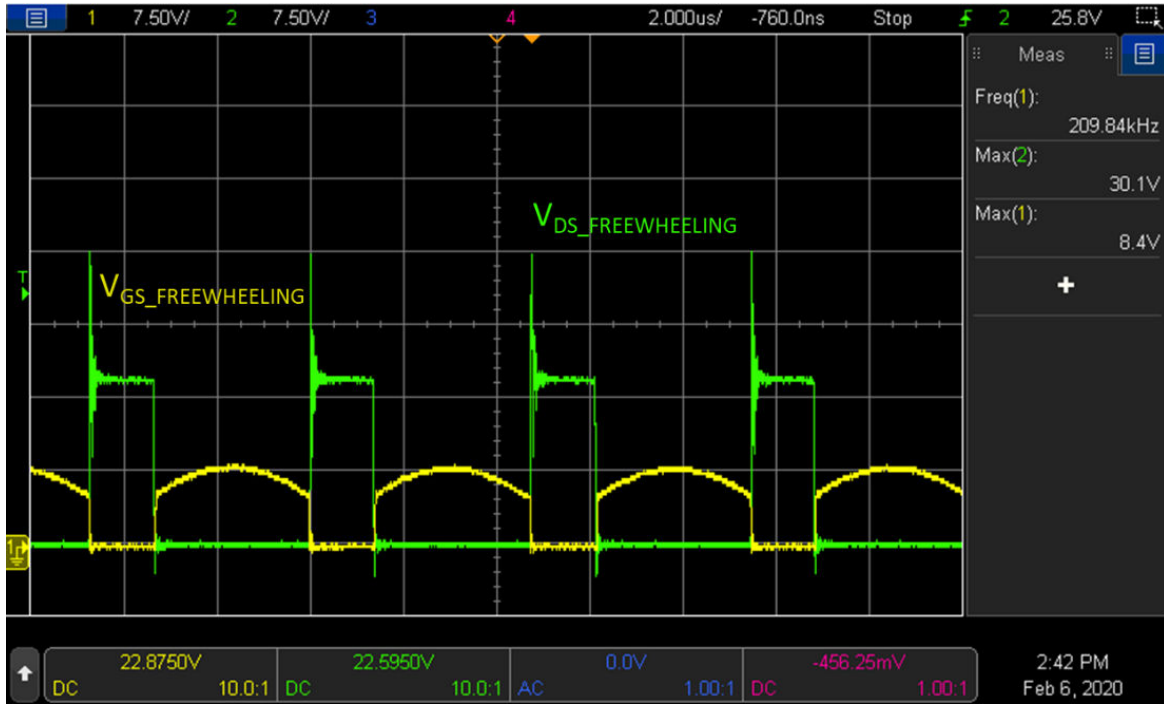


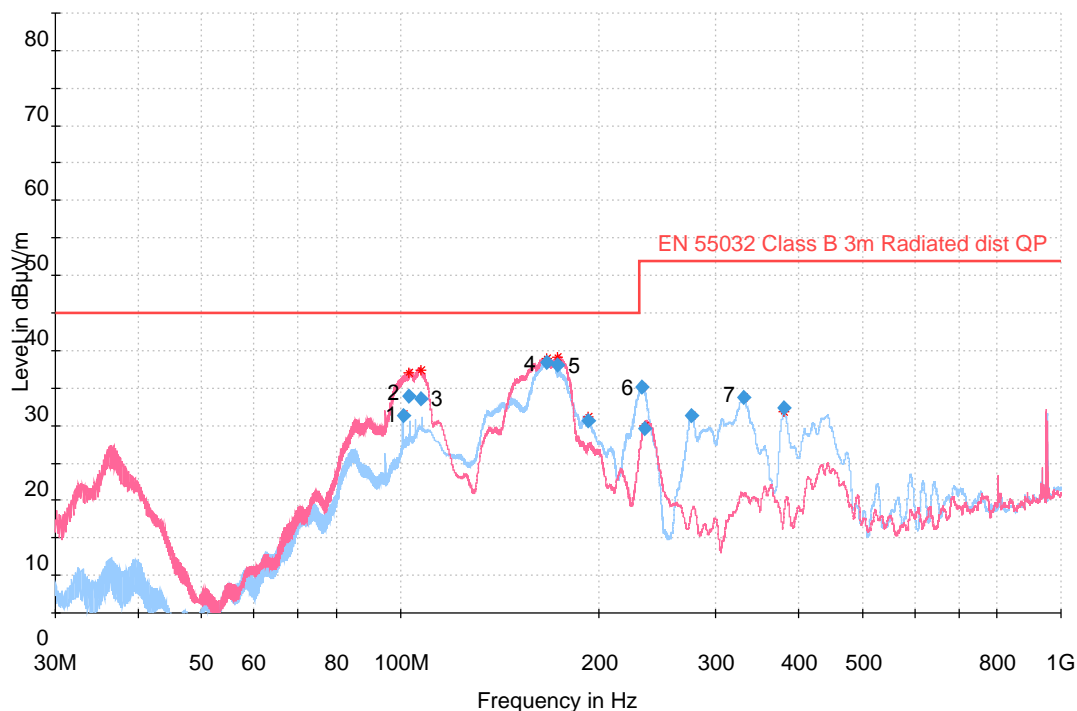
Figure 14.3. Voltages of Secondary Freewheeling Switch (U9) in High-Power Mode

## 15. Maintain Power Signature

The Si34071-FW-5V-C8 EVB offers both 802.3at and 802.3bt compliant MPS signature generation. For more information, see AN1179.

## 16. Radiated Emissions Measurement Results—EN55032 Class B

The Si34071-FW-5V-C8 board’s radiated emissions, with a 50 V input voltage and full load connected to the output, are shown below. The Si34071-FW-5V-C8 is fully compliant with the international EN 55032 Class B emissions standard.



**Figure 16.1. Si34071-FW-5V-C8 Radiated Emission Measurement Results**

Marker	Frequency (MHz)	Quasi Peak (dBµV/m)	Limit (dBµV/m)	Margin (dB)	Polarization (V/H)
1	100.800000	26.26	40.00	13.74	H
2	102.930000	28.85	40.00	11.15	V
3	107.250000	28.64	40.00	11.36	V
4	166.290000	33.43	40.00	6.57	H
5	172.470000	33.15	40.00	6.85	V
6	231.450000	30.05	47.00	16.95	H
7	330.930000	28.66	47.00	18.34	H

### Radiated EMI Measurement Process:

The EVB is measured at full load with peak detection in both vertical and horizontal polarizations. This is a relatively fast process that produces a red curve (vertical polarization) and a blue curve (horizontal polarization).

Next, specific frequencies are selected (red stars) for quasi-peak measurements. The board is measured again at those specific frequencies with a quasi-peak detector, which is a very slow but accurate measurement. The results of this quasi-peak detector measurement are the blue rhombuses.

The blue rhombuses represent the final result of the measurement process. To have passing results, the blue rhombuses should be below the highlighted EN 55032 Class B limit.

## 17. Conducted Emissions Measurement Results—EN55032

The Si34071-FW-5V-C8 board's conducted emissions have been measured with both peak and average detectors. The following figures show the conducted EMI measurement setup and results.

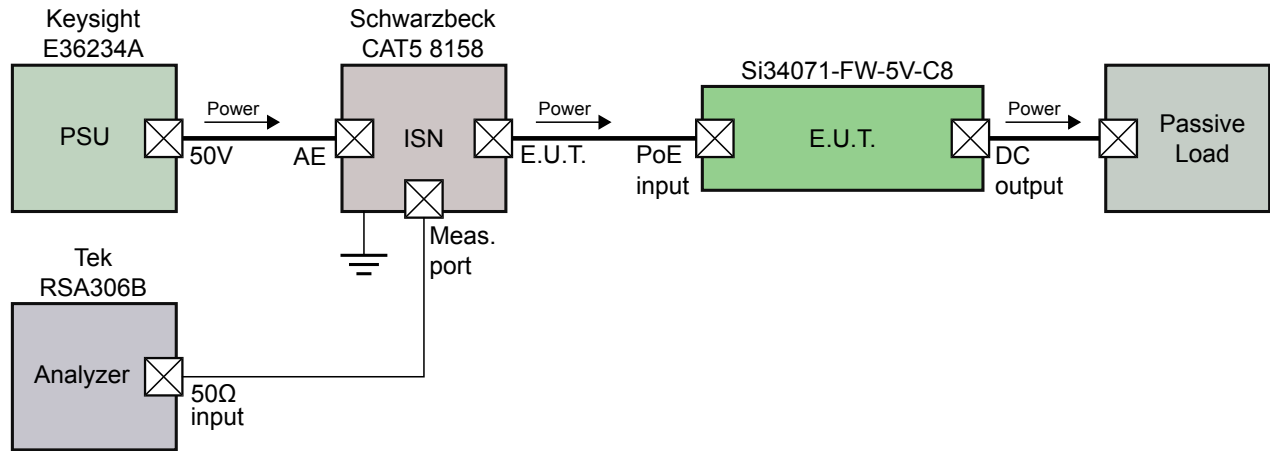


Figure 17.1. Conducted EMI Measurement Setup

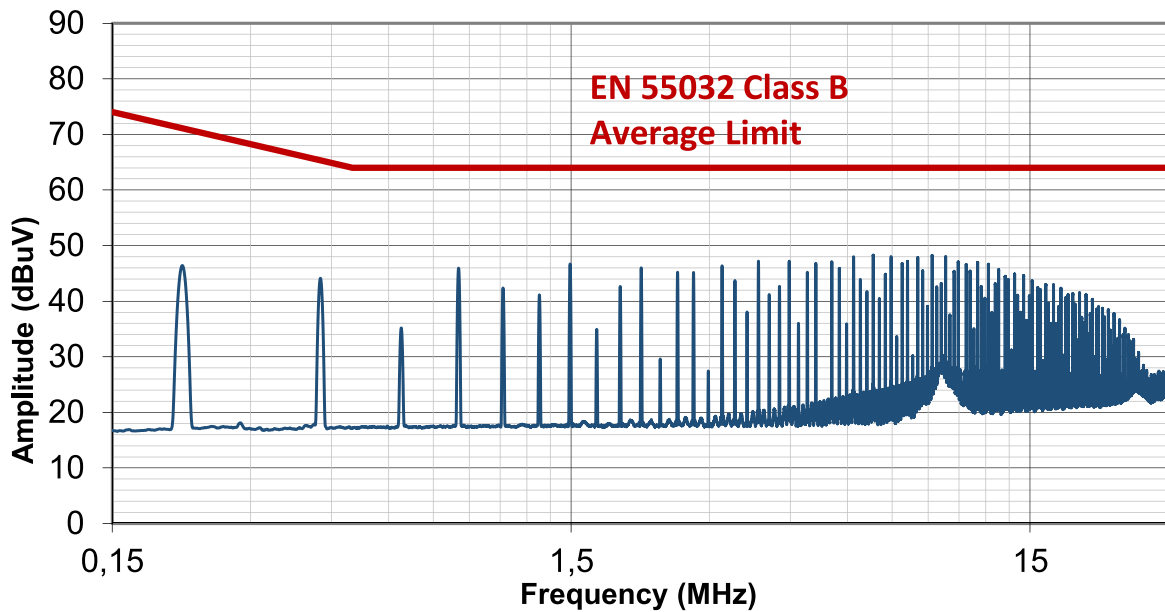


Figure 17.2. Conducted Emissions Measurement on PoE Input, 50 V Input, Full Load, Average Detector

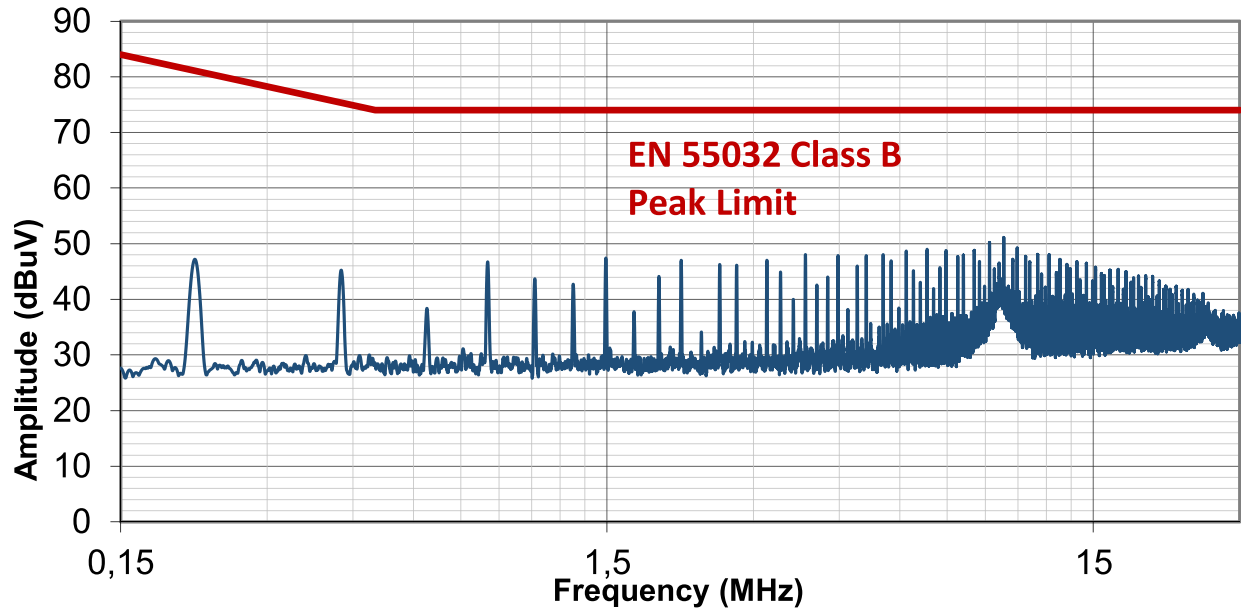


Figure 17.3. Conducted Emissions Measurement on PoE Input, 50 V Input, Full Load, Peak Detector

## 18. Thermal Measurements

The Si34071-FW-5V-C8 board's top and bottom side thermal images at full load are shown in the following figures.

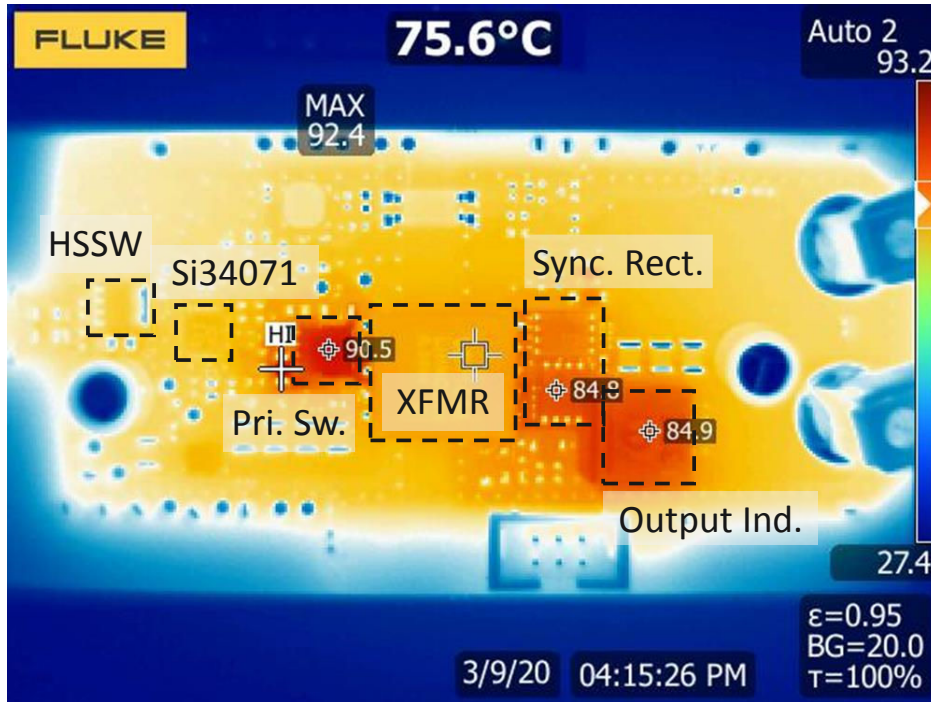


Figure 18.1. Thermal Image of the Top Side, 50 V Input Voltage and 70 W Load

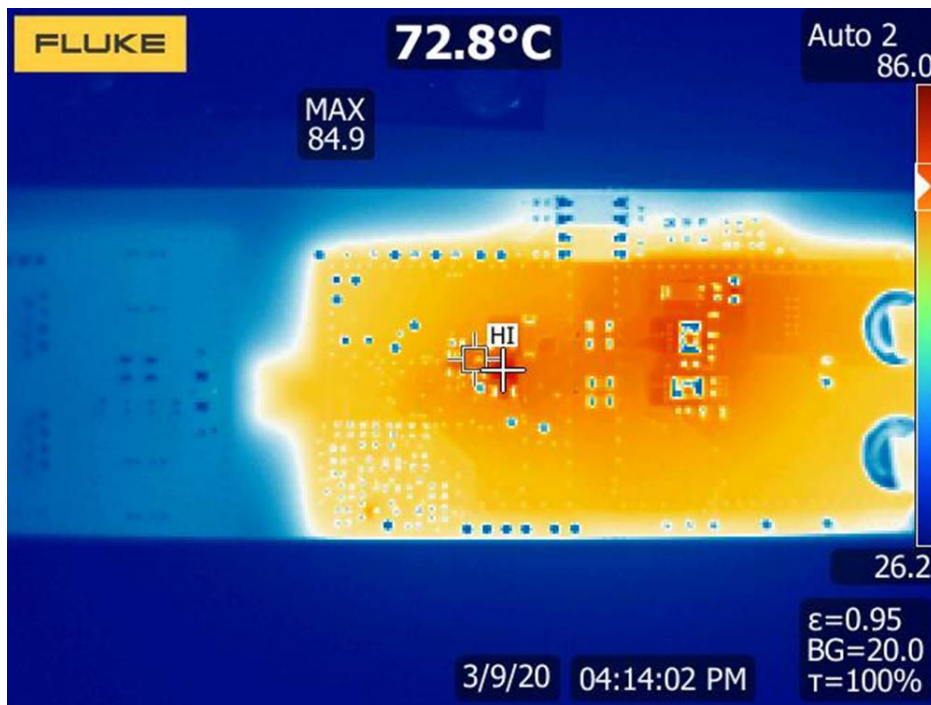


Figure 18.2. Thermal Image of the Bottom Side, 50 V Input Voltage and 70 W Load

**Note:** Ambient temperature was 26 °C.



## 19. Layout

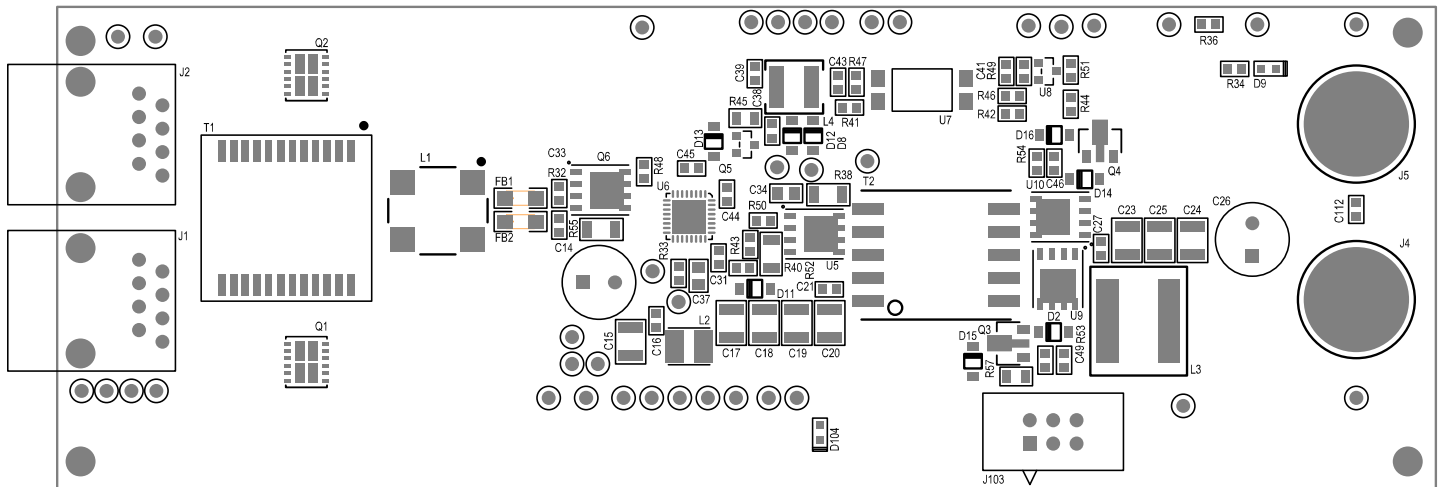


Figure 19.1. Primary Silkscreen

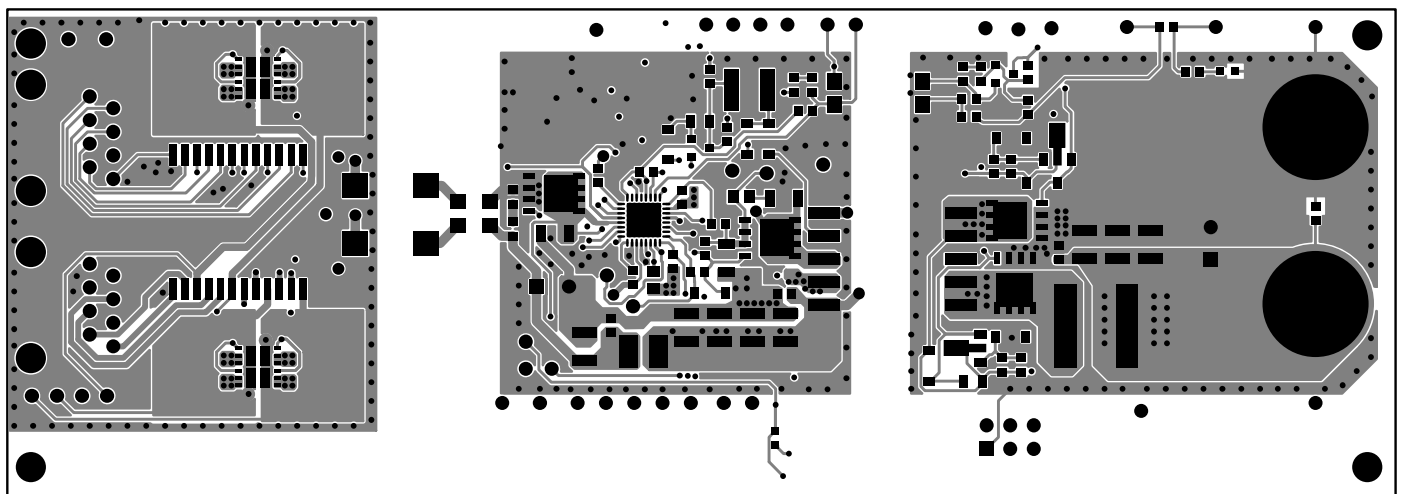


Figure 19.2. Top Layer



Figure 19.3. Internal 1 Layer

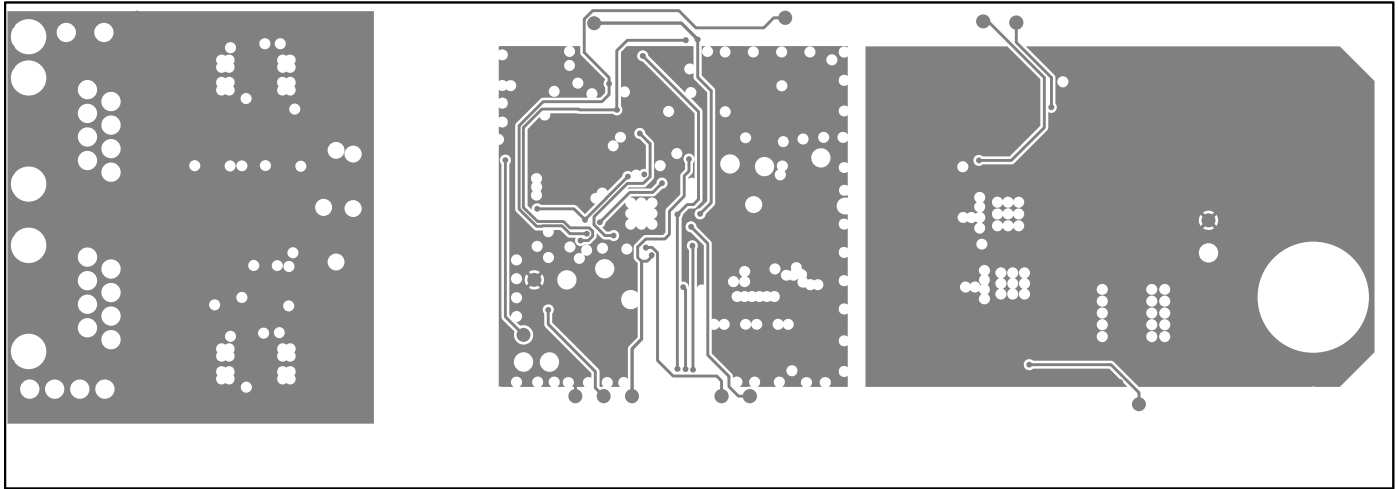


Figure 19.4. Internal 2 Layer

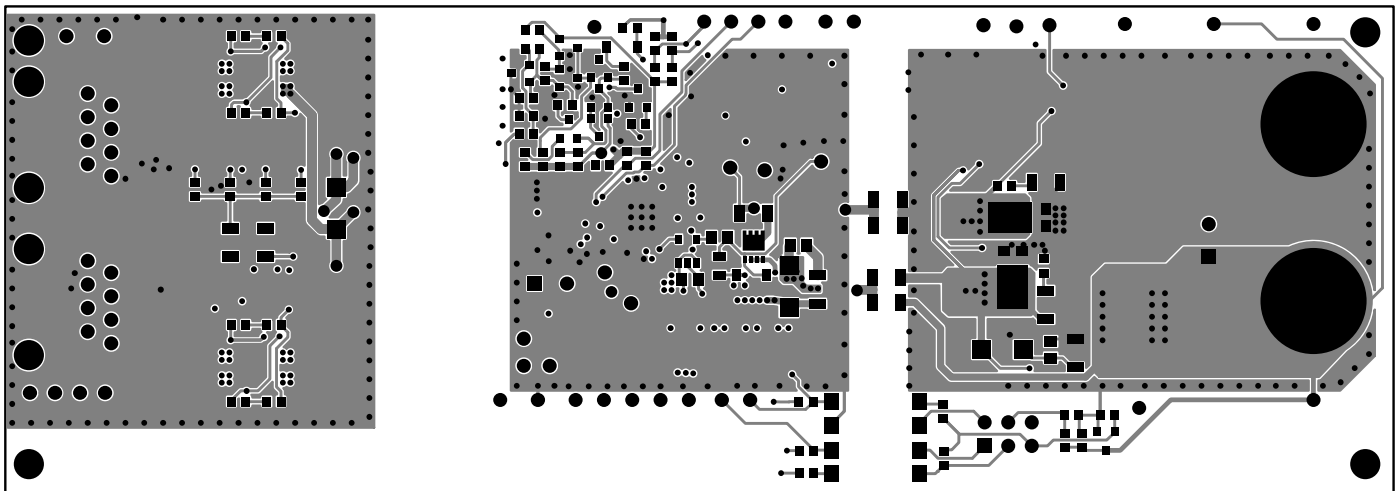


Figure 19.5. Bottom Layer

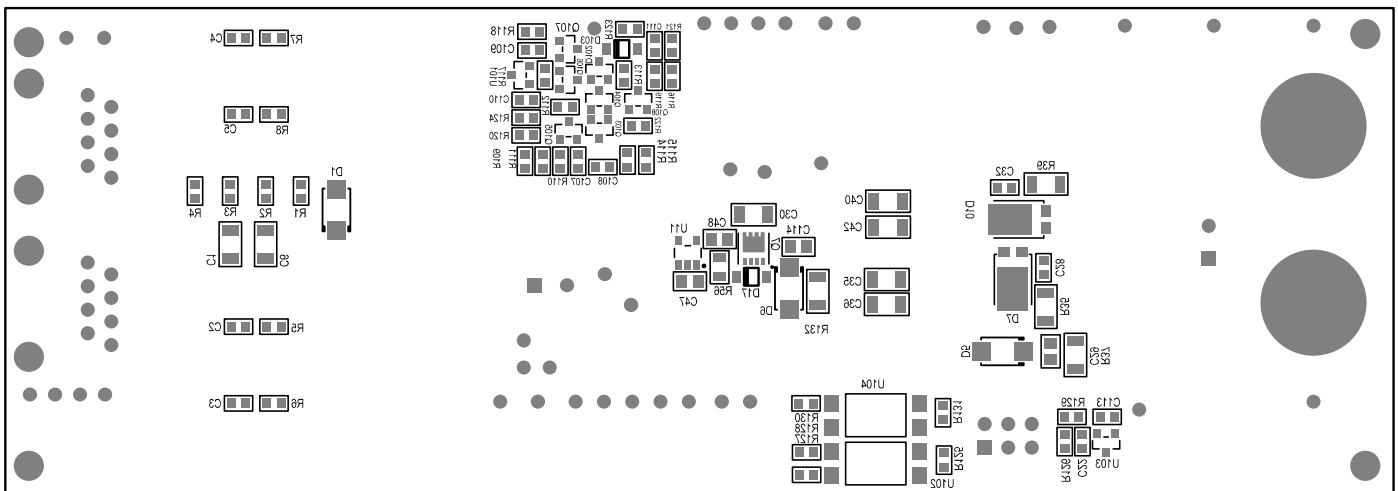


Figure 19.6. Bottom Silkscreen

## 20. Bill of Materials

Reference Designator	Quantity	Description	Manufacturer	Manufacturer PN
C1, C6, C40, C42	4	1 nF, 2000 V, $\pm 5\%$ , X7R	Kemet	C1206C102JGRACU
C108	1	0.1 $\mu$ F, 25 V, $\pm 10\%$ , X7R	Venkel	C0603X7R250-104K
C109	1	1 nF, 100 V, $\pm 10\%$ , X7R	Venkel	C0603X7R101-102K
C111	1	47 pF, 100 V, $\pm 10\%$ , X7R	Venkel	C0603X7R101-470K
C112, C113	2	1 $\mu$ F, 6.3 V, $\pm 10\%$ , X5R	Venkel	C0603X5R6R3-105K
C14	1	47 $\mu$ F, 100 V, $\pm 20\%$ , Alu	Panasonic	ECA2AM470
C15, C17, C18, C19, C20	5	4.7 $\mu$ F, 100 V, $\pm 10\%$ , X7R	Venkel	C1210X7R101-475KNE
C16, C21, C33	3	0.1 $\mu$ F, 100 V, $\pm 10\%$ , X7R	Venkel	C0603X7R101-104K
C2, C3, C4, C5, C107, C110	6	0.01 $\mu$ F, 100 V, $\pm 10\%$ , X7R	Venkel	C0603X7R101-103K
C22	1	1 $\mu$ F, 16 V, $\pm 10\%$ , X5R	Venkel	C0603X5R160-105K
C23, C24, C25	3	100 $\mu$ F, 6.3 V, $\pm 10\%$ , X5R	Venkel	C1210X5R6R3-107K
C26	1	1000 $\mu$ F, 6.3 V, $\pm 20\%$ , Alu.	Panasonic	ECA0JM102
C27	1	0.022 $\mu$ F, 50 V, $\pm 20\%$ , X7R	TDK Corporation	C1608X7R1H223M
C29	1	0.1 $\mu$ F, 100 V, $\pm 10\%$ , X7R	Venkel	C0805X7R101-104K
C30	1	0.047 $\mu$ F, 250 V, $\pm 10\%$ , X7R	Venkel	C1206X7R251-473K
C31	1	220 nF, 16 V, $\pm 5\%$ , X7R	Kemet	C0603C224J4RACTU
C37, C47	2	1 $\mu$ F, 50 V, $\pm 10\%$ , X7R	Samsung	CL21B105KBFNNNE
C38	1	2.2 $\mu$ F, 10 V, $\pm 10\%$ , X7R	Venkel	C0603X7R100-225K
C39	1	0.01 $\mu$ F, $-55^{\circ}\text{C}$ to $+150^{\circ}\text{C}$ , 25 V, $\pm 10\%$ , X8R	KEMET	C0603C103K3HACAUTO
C41	1	1 nF, 25 V, $\pm 10\%$ , X5R	Venkel	C0603X5R250-102K
C45	1	0.1 $\mu$ F, 10 V, $\pm 10\%$ , X7R	Venkel	C0603X7R100-104K
C46	1	1 nF, 50 V, $\pm 5\%$ , C0G	Venkel	C0603C0G500-102J
C48	1	0.1 $\mu$ F, 50 V, $\pm 10\%$ , X7R	Venkel	C0805X7R500-104K
D102	1	BAV99, 300 mA, 100 V, Dual, Switch	Diodes Inc.	BAV99-7-F
D103	1	10 V, 500 mW, 10 V, 5%, Zener	On Semi	MMSZ4697T1G
D104	1	Yellow, 15 mA	Vishay	TLMY1000-GS08
D13	1	16 V, 500 mW, 16 V, 5%, Zener	On Semi	MMSZ4703T1G
D16	1	15 V, 500 mW, 15 V, 5%, Zener	On Semi	MMSZ4702T1G
D5	1	ES1B, 1.0 A, 100 V, Fast	Diodes Inc.	ES1B
D6	1	ES1C, 1.0 A, 150 V, Fast	Diodes Inc.	ES1C
D8, D11, D12, D14, D15, D17	6	1N4148W, 300 mA, 100 V	Diodes Inc.	1N4148W-7-F
D9	1	GREEN, 5 mA, 2.0 V	LUMEX INC	SML-LXFP0603SUGCTR
FB1, FB2	2	600 $\Omega$ , 2500 mA	Würth	742792118

Reference Designator	Quantity	Description	Manufacturer	Manufacturer PN
J1, J2	2	RJ-45, Receptacle	MOLEX	95001-2881
J103	1	3x2 Shrouded Header	3M	30306-6002HB
J4, J5	2	BND_POST, 15 A	ABBATRON HH SMITH	101
L1	1	250 $\mu$ H, 0.035 $\Omega$ , 80 VDC	Würth	744272251
L2	1	2.2 $\mu$ H, 2 A, $\pm$ 20%	Murata	84222C
L3	1	3.3 $\mu$ H, 25 A, $\pm$ 20%	Coilcraft	XAL1010-332MEB
L4	1	1 mH, 0.2 A, $\pm$ 20%	Würth Elektro- nik	74404054102
Q1, Q2	2	FDMQ8205A, Bridge Rectifier	OnSemi	FDMQ8205A
Q103, Q104, Q105	3	MMBTA56L, 500 mA, -80 V, PNP	On Semi	MMBTA56L
Q106, Q107, Q108	3	MMBTA06LT1, 500 mA, 80 V, NPN	On Semi	MMBTA06LT1
Q4	1	FCX491TA, 2 A, 60 V, NPN	Diodes Inc.	FCX491TA
Q5	1	MMBT3904, 200 mA, 40 V, NPN	Fairchild	MMBT3904
Q6	1	SQJ476EP-T1, 23 A, 100 V, N-CHNL	Vishay	SQJ476EP-T1_GE3
Q7	1	FDMC2523P, -3.0 A, -150 V, P-CHNL	Fairchild	FDMC2523P
R1, R2, R3, R4, R5, R6, R7, R8	8	75, 1/16 W, $\pm$ 0.5%, ThinFilm	Susumu	RR0816Q-750-D
R109	1	3.65 k $\Omega$ , 1/16 W, $\pm$ 1%, ThickFilm	Venkel	CR0603-16W-3651FT
R110, R113, R119, R126	4	100 k $\Omega$ , 1/10 W, $\pm$ 1%, ThickFilm	Venkel	CR0603-10W-1003F
R111, R112	2	20.0 k $\Omega$ , 1/16 W, $\pm$ 1%, ThickFilm	Venkel	CR0603-16W-2002F
R114	1	127 $\Omega$ , 1/10 W, $\pm$ 1%, ThickFilm	Venkel	CR0603-10W-1270F
R115	1	255 $\Omega$ , 1/10 W, $\pm$ 1%, ThickFilm	Venkel	CR0603-10W-2550F
R116, R122	2	10 k $\Omega$ , 1/16 W, $\pm$ 1%, ThickFilm	Venkel	CR0603-16W-1002F
R117, R118	2	49.9 k $\Omega$ , 1/10 W, $\pm$ 1%, ThickFilm	Venkel	CR0603-10W-4992F
R120	1	41.2 k $\Omega$ , 1/10 W, $\pm$ 1%, ThickFilm	Venkel	CR0603-10W-4122F
R121	1	200 k $\Omega$ , 1/10 W, $\pm$ 5%, ThickFilm	Bourns	CR0603-JW-204ELF
R123	1	1.20 k $\Omega$ , 1/10 W, $\pm$ 1%, ThickFilm	Venkel	CR0603-10W-1201F
R127	1	330 $\Omega$ , 1/16 W, $\pm$ 1%, ThickFilm	Venkel	CR0603-16W-3300F
R128	1	560 $\Omega$ , 1/10 W, $\pm$ 1%, ThickFilm	Venkel	CR0603-10W-5600F
R129	1	120 k $\Omega$ , 1/10 W, $\pm$ 1%, ThickFilm	Venkel	CR0603-10W-1203F
R32	1	3.0 $\Omega$ , 1/10 W, $\pm$ 5%, ThickFilm	Venkel	CR0603-10W-3R0JT
R33	1	95.3 k $\Omega$ , 1/16 W, $\pm$ 1%, ThickFilm	Venkel	CR0603-16W-9532F
R34, R125, R130, R131	4	1 k $\Omega$ , 1/10 W, $\pm$ 1%, ThickFilm	Venkel	CR0603-10W-1001F
R36, R40	2	10.0 $\Omega$ , 1/16 W, $\pm$ 1%, ThickFilm	Venkel	CR0603-16W-10R0F
R37	1	2.2 k $\Omega$ , ¼ W, $\pm$ 5%, ThickFilm	Venkel	CR1206-4W-222JT
R41	1	3.24 k $\Omega$ , 1/10 W, $\pm$ 1%, ThickFilm	Venkel	CR0603-10W-3241F
R42	1	2.15 k $\Omega$ , 1/10 W, $\pm$ 1%, ThickFilm	Venkel	CR0603-10W-2151F

Reference Designator	Quantity	Description	Manufacturer	Manufacturer PN
R43	1	24 k $\Omega$ , 1/10 W, $\pm$ 1%, ThickFilm	Panasonic	ERJ-3EKF2402V
R44	1	36.5 k $\Omega$ , 1/16 W, $\pm$ 1%, ThickFilm	Venkel	CR0603-16W-3652F
R45	1	3.3 k $\Omega$ , 1/10 W, $\pm$ 1%, ThickFilm	Venkel	CR0805-10W-3301F
R48, R124	2	24.9 k $\Omega$ , 1/10 W, $\pm$ 1%, ThickFilm	Venkel	CR0603-10W-2492F
R49, R50	2	0, 1 A, ThickFilm	Venkel	CR0603-16W-000
R51	1	12.1 k $\Omega$ , 1/16 W, $\pm$ 1%, ThickFilm	Venkel	CR0603-16W-1212F
R52	1	0.039 $\Omega$ , 1 W, $\pm$ 1%, ThickFilm	Panasonic	ERJ-8CWFR039V
R54	1	510 $\Omega$ , 1/10 W, $\pm$ 1%, ThickFilm	Venkel	CR0603-10W-5100F
R55	1	0.1 $\Omega$ , 1/2 W, $\pm$ 1%, ThickFilm	Venkel	LCR1206-R100F
R56	1	10 k $\Omega$ , 1/8 W, $\pm$ 1%, ThickFilm	Venkel	CR0805-8W-1002F
R57	1	3 $\Omega$ , 1/8 W, $\pm$ 1%, ThickFilm	Venkel	CR0805-8W-3R00FT
T1	1	7490220122, 350 $\mu$ H, Ethernet	Würth	7490220122
T2	1	LDT1056-51, 70 W, FORWARD	LinkCom	LDT1056-51
U103	1	AP2120N-3.3, 100 mA, 3.3 V, LDO	Diodes Inc.	AP2120N-3.3
U11	1	FAN3100CSX, 4 A, Gate Driver	ON Semiconductor	FAN3100CSX
U5	1	SIR632DP-T1, 29 A, 150 V, N-CHNL	Vishay	SIR632DP-T1-RE3
U6	1	Si34071, 120 V, PD	Skyworks	Si34071-A01-GM
U7, U102, U104	3	FOD817C3S	Vishay	FOD817C3SD
U8, U101	2	TLV431	TI	TLV431BCDBZR
U9, U10	2	IPC100N04S51R9ATMA1, 100 A, 40 V, N-CHNL	Infineon Technologies	IPC100N04S51R9ATMA1
<b>Not Installed Components</b>				
C28	1	2.2 nF, 50 V, $\pm$ 20%, X7R	Venkel	C0603X7R500-222M
C32	1	4.7 nF, 50 V, $\pm$ 10%, X7R	Venkel	C0603X7R500-472K
C34, C114	2	820 pF, 200 V, $\pm$ 10%, C0G	Venkel	C0805C0G201-821KNE
C35, C36	2	1 nF, 2000 V, $\pm$ 5%, X7R	Kemet	C1206C102JGRACU
C43	1	0.01 $\mu$ F, 16 V, $\pm$ 20%, X7R	Venkel	C0603X7R160-103M
C44	1	470 pF, 25 V, $\pm$ 20%, X7R	Venkel	C0603X7R250-471M
C49	1	1 nF, 50 V, $\pm$ 5%, C0G	Venkel	C0603C0G500-102J
D1	1	SMAJ58A, 400 W, 58 V, GP	Littelfuse	SMAJ58A
D2	1	15 V, 500 mW, 15 V, 5%, Zener	On Semi	MMSZ4702T1G
D7, D10	2	PDS1040, 10 A, 40 V, Schottky	Diodes Inc.	PDS1040-13
Q3	1	FCX491TA, 2 A, 60 V, NPN	Diodes Inc.	FCX491TA
R35, R38	2	6.8 $\Omega$ , 1/8 W, $\pm$ 5%, ThickFilm	Venkel	CR1206-8W-6R8J
R39, R132	2	10 $\Omega$ , 1/4 W, $\pm$ 1%, ThickFilm	Venkel	CR1206-4W-10R0F
R46	1	1 k $\Omega$ , 1/10 W, $\pm$ 1%, ThickFilm	Venkel	CR0603-10W-1001F
R47	1	0 $\Omega$ , 1 A, ThickFilm	Venkel	CR0603-16W-000

R53	1	510 $\Omega$ , 1/10 W, $\pm 1\%$ , ThickFilm	Venkel	CR0603-10W-5100F
-----	---	----------------------------------------------	--------	------------------

## 21. Design and Layout Checklist

The complete EVB design databases are located at <https://www.skyworksinc.com/-/media/Skyworks/SL/documents/public/application-notes/an1130-si3404-06x-dg.pdf>. Skyworks strongly recommends using these EVB schematics and layout files as a starting point to ensure robust performance and avoid common mistakes in the schematic capture and PCB layout processes.

The following is a recommended design checklist that can assist in trouble-free development of robust PD designs.

Refer also to the Si34071 data sheet and [AN1130: Si3404/06x PoE-PD Controller Design Guide](#) when using the following checklist.

### 1. Design Planning checklist:

- a. Determine if your design requires an isolated or non-isolated topology. For more information, see AN1130.
- b. Skyworks strongly recommends using the EVB schematics and layout files as a starting point as you begin integrating the Si34071 into your system design process.
- c. Determine your load's power requirements (i.e., VOUT and IOUT consumed by the PD, including the typical expected transient surge conditions).
- d. Based on your required PD power level, select the appropriate class resistors (R114, R115) value by referring to AN1179.

### 2. General Design Checklist:

- a. Non-standard PoE injectors turns on the PD without detection and classification phases. In most cases,  $dV/dt$  is not controlled and could violate IEEE requirements. To ensure robustness with those injectors, please include a  $3\Omega$  resistors in place of R32.
- b. If industrial temperature range ( $-40$  to  $+85^\circ\text{C}$ ) of operation is required, then some components must be replaced. For stable operation at low temperatures up to  $-40^\circ\text{C}$ , change the following parts in your design: C26 aluminum electrolytic capacitor with an aluminum polymer capacitor (for example: Würth Elektronik 870025175010), change compensation capacitor C41 from 1 nF to 2.2 nF and if the input rectifiers are FET bridges install low-leakage Schottky diodes (for example BAT46ZFILM) in parallel with the FETs body diode as noted in "[AN1179: Si34071 802.3bt PoE Interface](#)". At the high temperature range, up to  $+85^\circ\text{C}$ , detection resistance R48 change may be needed, for more information, see AN1179.

### 3. Layout Guidelines:

- a. Make sure VNEG pin of the Si34071 is connected to the backside of the QFN package with an adequate thermal plane.
- b. Use solid primary side VSS plane under switching circuits to make a low impedance return path. A solid VSS plane can greatly reduce the radiated emission of the board.
- c. Keep the trace length from the switching FET to VSS as short as possible. Make all of the power (high current) traces as short, direct, and thick as possible. It is a good practice on a standard PCB board to make the traces an absolute minimum of 15 mils (0.381 mm) per ampere.
- d. Usually, one standard via handles 200 mA of current. If the trace needs to conduct a significant amount of current from one plane to the other, use multiple vias.
- e. Keep the high  $di/dt$  circular area of the loop from the primary forward FET to the transformer and returning from the input filter capacitors (C17..C21) to VSS as small a diameter as possible. Also, minimize the high  $di/dt$  circular area of the loop from the output of the transformer to the self-driven synchronous rectifier FETs (U9 and U10) as small as possible. If possible, keep the direction of current flow in these two loops the opposite.
- f. Keep the high-power traces as short as possible.
- g. Keep the feedback and loop stability components as far from the transformer and noisy power traces as possible.
- h. If the outputs have a ground plane or positive output plane, do not connect the high current carrying components and the filter capacitors through the plane. Connect them together, and then connect to the plane at a single point.

To help ensure first-pass success, contact our customer support by submitting a help ticket and uploading your schematics and layout files for review.



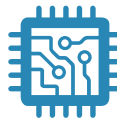
# SKYWORKS®

**Connecting Everyone  
and Everything,  
All the Time**



**Portfolio**

[www.skyworksinc.com](http://www.skyworksinc.com)



**Quality**

[www.skyworksinc.com/quality](http://www.skyworksinc.com/quality)



**Support & Resources**

[www.skyworksinc.com/support](http://www.skyworksinc.com/support)

**Copyright © 2021 Skyworks Solutions, Inc. All Rights Reserved.**

Information in this document is provided in connection with Skyworks Solutions, Inc. ("Skyworks") products or services. These materials, including the information contained herein, are provided by Skyworks as a service to its customers and may be used for informational purposes only by the customer. Skyworks assumes no responsibility for errors or omissions in these materials or the information contained herein. Skyworks may change its documentation, products, services, specifications or product descriptions at any time, without notice. Skyworks makes no commitment to update the materials or information and shall have no responsibility whatsoever for conflicts, incompatibilities, or other difficulties arising from any future changes.

No license, whether express, implied, by estoppel or otherwise, is granted to any intellectual property rights by this document. Skyworks assumes no liability for any materials, products or information provided hereunder, including the sale, distribution, reproduction or use of Skyworks products, information or materials, except as may be provided in Skyworks' Terms and Conditions of Sale.

THE MATERIALS, PRODUCTS AND INFORMATION ARE PROVIDED "AS IS" WITHOUT WARRANTY OF ANY KIND, WHETHER EXPRESS, IMPLIED, STATUTORY, OR OTHERWISE, INCLUDING FITNESS FOR A PARTICULAR PURPOSE OR USE, MERCHANTABILITY, PERFORMANCE, QUALITY OR NON-INFRINGEMENT OF ANY INTELLECTUAL PROPERTY RIGHT; ALL SUCH WARRANTIES ARE HEREBY EXPRESSLY DISCLAIMED. SKYWORKS DOES NOT WARRANT THE ACCURACY OR COMPLETENESS OF THE INFORMATION, TEXT, GRAPHICS OR OTHER ITEMS CONTAINED WITHIN THESE MATERIALS. SKYWORKS SHALL NOT BE LIABLE FOR ANY DAMAGES, INCLUDING BUT NOT LIMITED TO ANY SPECIAL, INDIRECT, INCIDENTAL, STATUTORY, OR CONSEQUENTIAL DAMAGES, INCLUDING WITHOUT LIMITATION, LOST REVENUES OR LOST PROFITS THAT MAY RESULT FROM THE USE OF THE MATERIALS OR INFORMATION, WHETHER OR NOT THE RECIPIENT OF MATERIALS HAS BEEN ADVISED OF THE POSSIBILITY OF SUCH DAMAGE.

Skyworks products are not intended for use in medical, lifesaving or life-sustaining applications, or other equipment in which the failure of the Skyworks products could lead to personal injury, death, physical or environmental damage. Skyworks customers using or selling Skyworks products for use in such applications do so at their own risk and agree to fully indemnify Skyworks for any damages resulting from such improper use or sale.

Customers are responsible for their products and applications using Skyworks products, which may deviate from published specifications as a result of design defects, errors, or operation of products outside of published parameters or design specifications. Customers should include design and operating safeguards to minimize these and other risks. Skyworks assumes no liability for applications assistance, customer product design, or damage to any equipment resulting from the use of Skyworks products outside of Skyworks' published specifications or parameters.

Skyworks, the Skyworks symbol, Sky5®, SkyOne®, SkyBlue™, Skyworks Green™, Clockbuilder®, DSPLL®, ISOModem®, ProSLIC®, and SiPHY® are trademarks or registered trademarks of Skyworks Solutions, Inc. or its subsidiaries in the United States and other countries. Third-party brands and names are for identification purposes only and are the property of their respective owners. Additional information, including relevant terms and conditions, posted at [www.skyworksinc.com](http://www.skyworksinc.com), are incorporated by reference.

Skyworks Solutions, Inc. | Nasdaq: SWKS | [sales@skyworksinc.com](mailto:sales@skyworksinc.com) | [www.skyworksinc.com](http://www.skyworksinc.com)

USA: 781-376-3000 | Asia: 886-2-2735 0399 | Europe: 33 (0)1 43548540 | [in](https://www.linkedin.com/company/skyworks) [f](https://www.facebook.com/skyworks) [t](https://twitter.com/skyworks) [y](https://www.youtube.com/skyworks)



# Mouser Electronics

Authorized Distributor

Click to View Pricing, Inventory, Delivery & Lifecycle Information:

[Skyworks:](#)

[SI34071AC5V8KIT](#)