

AB/SKS - Support bracket

3240224

<https://www.phoenixcontact.com/us/products/3240224>

Please be informed that the data shown in this PDF document is generated from our Online Catalog. Please find the complete data in the user documentation. Our General Terms of Use for Downloads are valid.

Support bracket for busbars



Your advantages

- For mounting SK and SKS shield connection clamps
- AB/SS for isolated installation on the mounting plate
- AB/SS-M for non-isolated installation on the mounting plate

Commercial Data

| | |
|--------------------------------------|---------------------|
| Item number | 3240224 |
| Packing unit | 1 pc |
| Minimum order quantity | 10 pc |
| Sales Key | BE07 |
| Product Key | BE7113 |
| Catalog Page | Page 574 (C-3-2019) |
| GTIN | 4046356455718 |
| Weight per Piece (including packing) | 8.71 g |
| Weight per Piece (excluding packing) | 8.71 g |
| Customs tariff number | 39269097 |
| Country of origin | DE |

AB/SKS - Support bracket

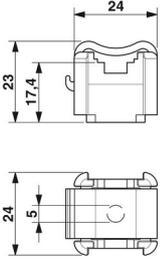
3240224

<https://www.phoenixcontact.com/us/products/3240224>



Technical Data

Dimensions

| | |
|---------------------|--|
| Dimensional drawing |  |
| Diameter | 5 mm |

AB/SKS - Support bracket

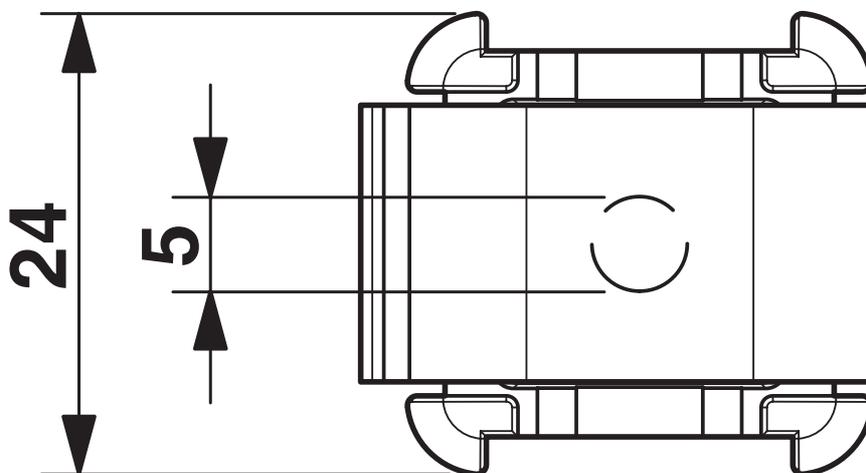
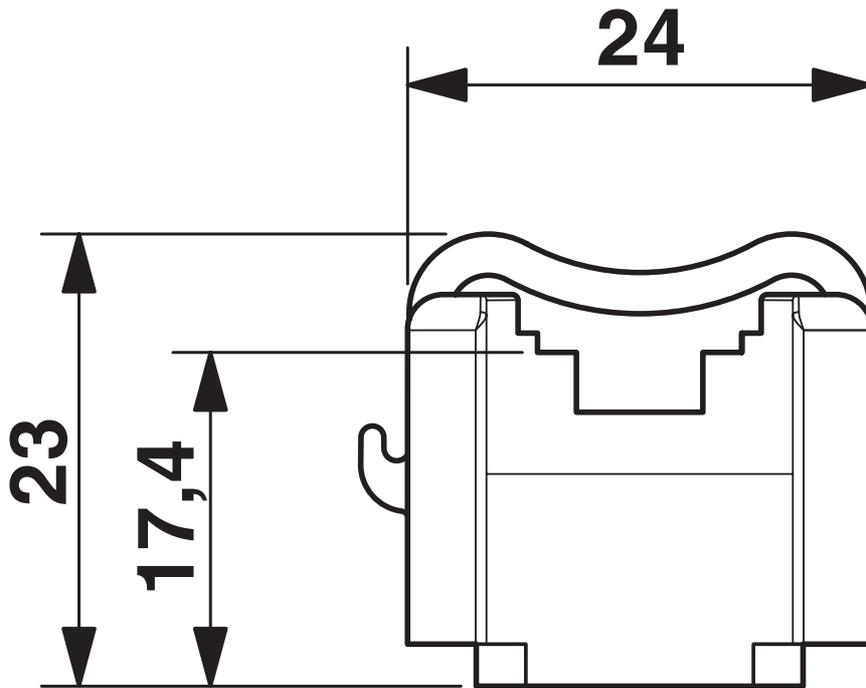
3240224

<https://www.phoenixcontact.com/us/products/3240224>



Drawings

Dimensional drawing



AB/SKS - Support bracket

3240224

<https://www.phoenixcontact.com/us/products/3240224>



Classifications

ECLASS

| | |
|-------------|----------|
| ECLASS-11.0 | 27400607 |
| ECLASS-12.0 | 27400607 |
| ECLASS-12.0 | 27400607 |

ETIM

| | |
|----------|----------|
| ETIM 8.0 | EC001166 |
|----------|----------|

UNSPSC

| | |
|-------------|----------|
| UNSPSC 21.0 | 39121700 |
|-------------|----------|

AB/SKS - Support bracket

3240224

<https://www.phoenixcontact.com/us/products/3240224>



Environmental Product Compliance

| | |
|------------|---|
| China RoHS | Environmentally friendly use period: unlimited = EFUP-e |
| | No hazardous substances above threshold values |

Phoenix Contact 2023 © - all rights reserved
<https://www.phoenixcontact.com>

Phoenix Contact USA
586 Fulling Mill Road
Middletown, PA 17057, United States
(+717) 944-1300
info@phoenixcon.com