

PSR-CT-C-SEN-1-8 - Safety switch sensor



2702972

<https://www.phoenixcontact.com/us/products/2702972>

Please be informed that the data shown in this PDF document is generated from our Online Catalog. Please find the complete data in the user documentation. Our General Terms of Use for Downloads are valid.



Proximity safety circuit up to Cat. 4, PL e (EN ISO 13849), SIL 3 (IEC 61508), unicode sensor with RFID coding, model 4 (EN ISO 14119), automatic or manual start, integrated diagnostics, 24 V DC supply, IP69K, M12 connector

Product Description

The PSR-CT safety circuit consists of a combination of a PSR-CT-...-SEN-1-8 sensor with varying coding types and a coded PSR-CT-C-ACT actuator. It provides maximum tamper protection and the highest level of safety in accordance with EN ISO 14119. The PSR-CT safety circuit is available with the following types of coding: **Fixcode**: For the sensor to detect the actuator, the actuator must first be associated with the sensor via a learning process. The learning process can only be completed once. The sensor and actuator are then permanently assigned to each other by their coding. Safety circuits with fixcode evaluation achieve a **high coding level**. **Unicode**: For the sensor to detect the actuator, the actuator must first be assigned to the sensor via a learning process. The learning process for a new actuator can be repeated any number of times. The sensor only detects the last learned actuator. Safety circuits with unicode evaluation achieve a **high coding level**. **Multicode**: The sensor detects every actuator of the approved type. No specific actuator code can be assigned. Safety circuits with multicode evaluation achieve a **low coding level**.

Your advantages

- Integrated reset function on the switch
- 4 actuation settings, 3 travel directions
- Tamper protection via RFID transponder technology
- Rapid diagnostics, thanks to comprehensive status information
- Consistent M12 connection technology for convenient installation
- Safe series connection in accordance with EN ISO 14119
- Flexible use, thanks to compact design
- Safe, cost-effective complete solution

Commercial Data

Item number	2702972
Packing unit	1 pc
Minimum order quantity	1 pc
Sales Key	DN04
Product Key	DNA611
Catalog Page	Page 213 (C-6-2019)
GTIN	4055626446899
Weight per Piece (including packing)	40.8 g
Weight per Piece (excluding packing)	40.8 g

PSR-CT-C-SEN-1-8 - Safety switch sensor



2702972

<https://www.phoenixcontact.com/us/products/2702972>

Customs tariff number	85365019
Country of origin	DE

PSR-CT-C-SEN-1-8 - Safety switch sensor



2702972

<https://www.phoenixcontact.com/us/products/2702972>

Technical Data

Dimensions

Dimensional drawing	
Width	26.5 mm
Height	40 mm
Depth	18 mm
Minimum distance	140 mm (between two safety circuits) 7 mm (between sensor and actuator when traveling in the Y-direction)

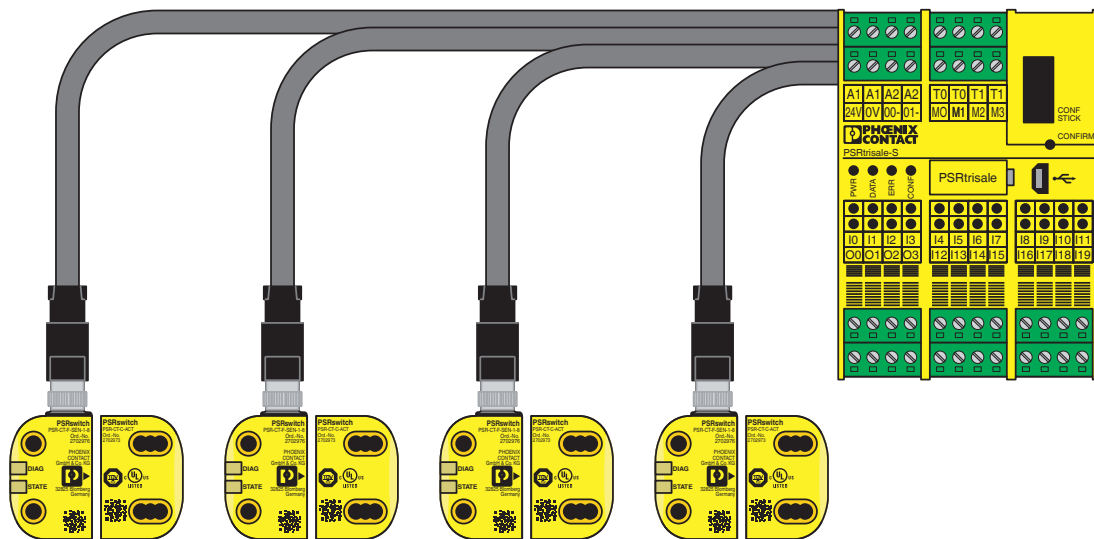
PSR-CT-C-SEN-1-8 - Safety switch sensor

2702972

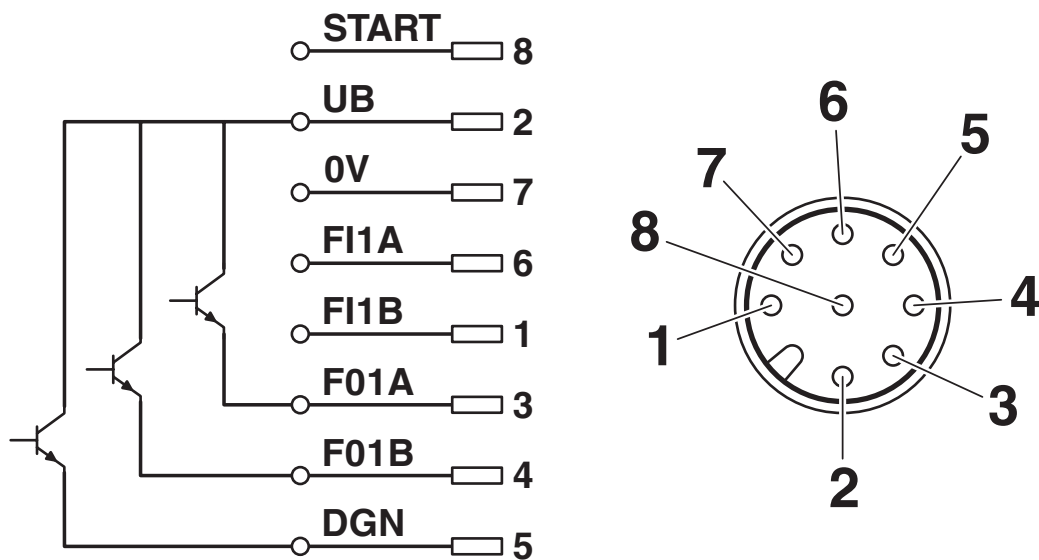
<https://www.phoenixcontact.com/us/products/2702972>

Drawings

Application drawing



Connection diagram



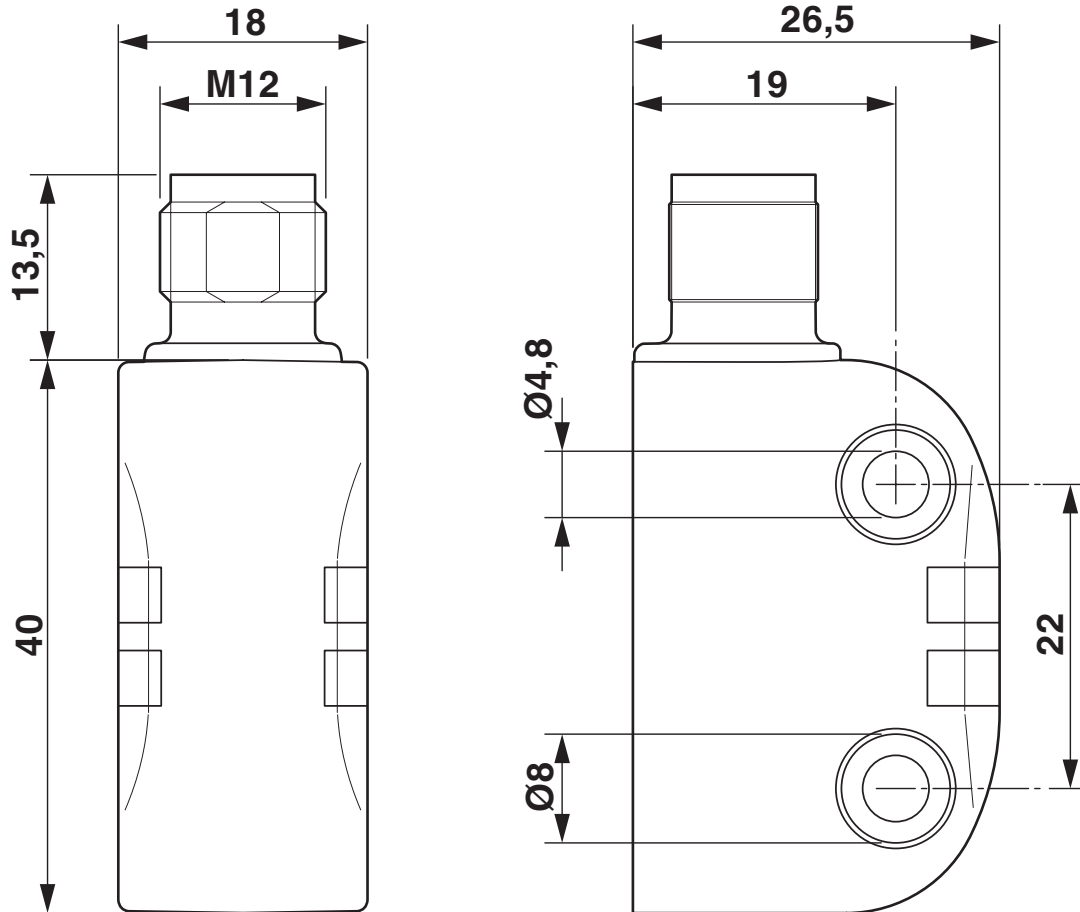
PSR-CT-C-SEN-1-8 - Safety switch sensor



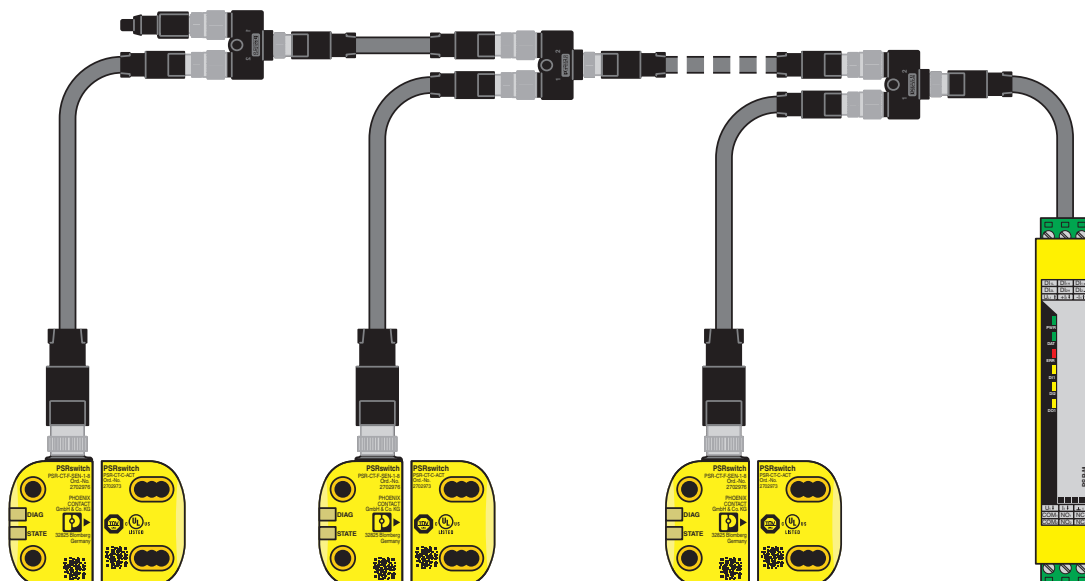
2702972

<https://www.phoenixcontact.com/us/products/2702972>

Dimensional drawing



Application drawing

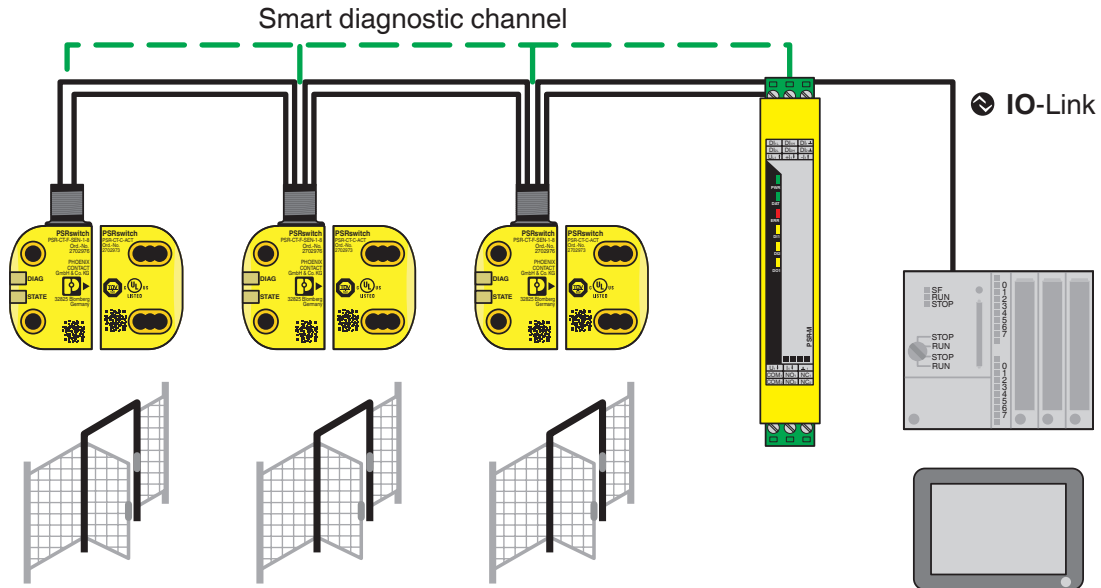


PSR-CT-C-SEN-1-8 - Safety switch sensor

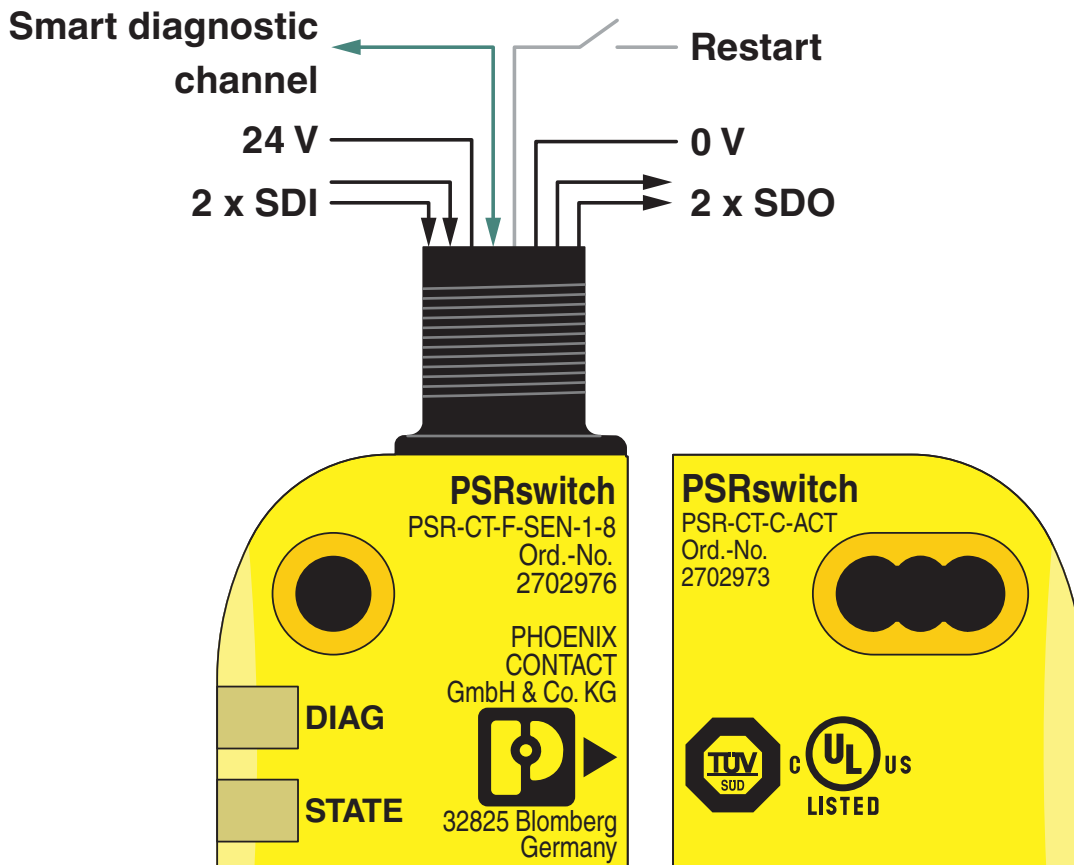
2702972

<https://www.phoenixcontact.com/us/products/2702972>

Application drawing



Application drawing



PSR-CT-C-SEN-1-8 - Safety switch sensor



2702972

<https://www.phoenixcontact.com/us/products/2702972>

Approvals



UL Listed

Approval ID: FILE E 196162



cUL Listed

Approval ID: FILE E 196162

PSR-CT-C-SEN-1-8 - Safety switch sensor



2702972

<https://www.phoenixcontact.com/us/products/2702972>

Classifications

ECLASS

ECLASS-11.0

27272403

ETIM

ETIM 8.0

EC003015

UNSPSC

UNSPSC 21.0

32151800

PSR-CT-C-SEN-1-8 - Safety switch sensor



2702972

<https://www.phoenixcontact.com/us/products/2702972>

Environmental Product Compliance

REACH SVHC	Lead 7439-92-1
	Lead titanium trioxide 12060-00-3
China RoHS	Environmentally Friendly Use Period = 50 years
	For information on hazardous substances, refer to the manufacturer's declaration available under "Downloads"

PSR-CT-C-SEN-1-8 - Safety switch sensor

2702972

<https://www.phoenixcontact.com/us/products/2702972>

Accessories

PSR-CT-C-ACT - Safety switch actuator

2702973

<https://www.phoenixcontact.com/us/products/2702973>



Proximity safety circuit up to Cat. 4, PL e (EN ISO 13849), SIL 3 (IEC 61508), coded actuator, compatible with all sensor coding types, supplied inductively via the sensor, IP69K

SAC-5P-M12MS BK BR 1-2-4 - Short-circuit connector

1054366

<https://www.phoenixcontact.com/us/products/1054366>



Termination plug for PSR-CT series RFID transponder switches, M12 male, 5-pos., closes the circuit at the last Y distributor in a series connection

PSR-CT-C-SEN-1-8 - Safety switch sensor

2702972

<https://www.phoenixcontact.com/us/products/2702972>

SAC-8PY-M/2XF BK 1-PSR - Y distributor

1054338

<https://www.phoenixcontact.com/us/products/1054338>



Y distributor for PSR-CT series RFID transponder switches, M12 male/female, 5- and 8-pos., for safe series connection of up to 30 devices

SAC-8PY-M/2XF BK 2-PSR - Y distributor

1054339

<https://www.phoenixcontact.com/us/products/1054339>



Y distributor for PSR-CT series RFID transponder switches, M12 male/female, 5- and 8-pos., for implementation of a manual start circuit in the field

PSR-CT-C-SEN-1-8 - Safety switch sensor

2702972

<https://www.phoenixcontact.com/us/products/2702972>



SAC-8PY-M/2XF BK 3-PSR - Y distributor

1054341

<https://www.phoenixcontact.com/us/products/1054341>



Y distributor for PSR-CT series RFID transponder switches, M12 male/female, 5- and 8-pos., for signal contact feedback to the PLC

PSR-MC42-2NO-1DO-24DC-SC - Safety relays

2702901

<https://www.phoenixcontact.com/us/products/2702901>



Safety relay with IO-Link for emergency stop, safety doors, and light grids, up to SIL 3, Cat. 4, PL e, 2 sensor circuits, automatic or manual, monitored start, 2 enabling current paths, 1 signal output, $U_S = 24 \text{ V DC}$, plug-in screw terminal block

PSR-CT-C-SEN-1-8 - Safety switch sensor

2702972

<https://www.phoenixcontact.com/us/products/2702972>



PSR-MC42-2NO-1DO-24DC-SP - Safety relays

2702902

<https://www.phoenixcontact.com/us/products/2702902>



Safety relay with IO-Link for emergency stop, safety doors and light grids, up to SIL 3, Cat. 4, PL e, 2 sensor circuits, automatic or manual, monitored start, 2 enabling current paths, 1 signal output, $U_S = 24 \text{ V DC}$, pluggable Push-in terminal block

PSR-MC43-2SDO-1DO-24DC-SC - Safety device

1087561

<https://www.phoenixcontact.com/us/products/1087561>



Safety relay module with IO-Link for emergency stop, safety doors, and light grids, to SIL 3, cat. 4, PL e, 2 sensor circuits, automatic or manual, monitored start, 2 safe digital outputs, 1 signal output, $U_S = 24 \text{ V DC}$, pluggable screw terminal block

PSR-CT-C-SEN-1-8 - Safety switch sensor

2702972

<https://www.phoenixcontact.com/us/products/2702972>



PSR-MC43-2SDO-1DO-24DC-SP - Safety device

1087569

<https://www.phoenixcontact.com/us/products/1087569>



Safety relay module with IO-Link for emergency stop, safety doors, and light grids, to SIL 3, Cat. 4, PL e, 2 sensor circuits, automatic or manual, monitored start, 2 safe digital outputs, 1 signal output, $U_S = 24 \text{ V DC}$, pluggable Push-in terminal block

Phoenix Contact 2023 © - all rights reserved

<https://www.phoenixcontact.com>

Phoenix Contact USA
586 Fulling Mill Road
Middletown, PA 17057, United States
(+717) 944-1300
info@phoenixcon.com