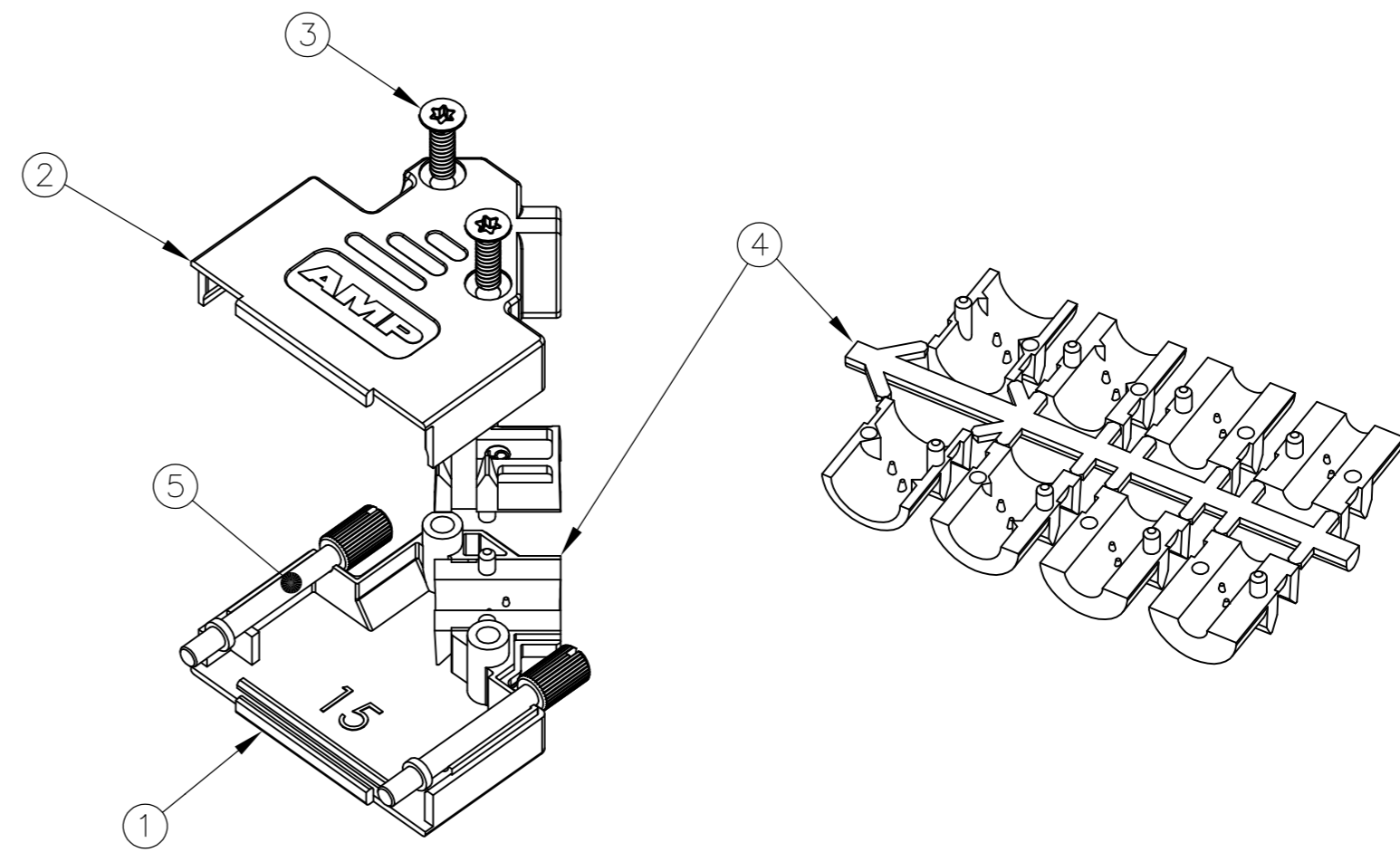
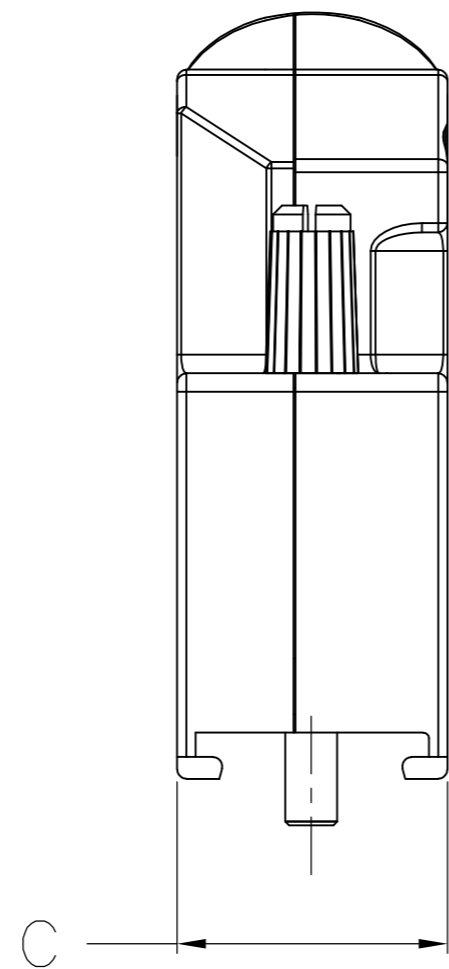
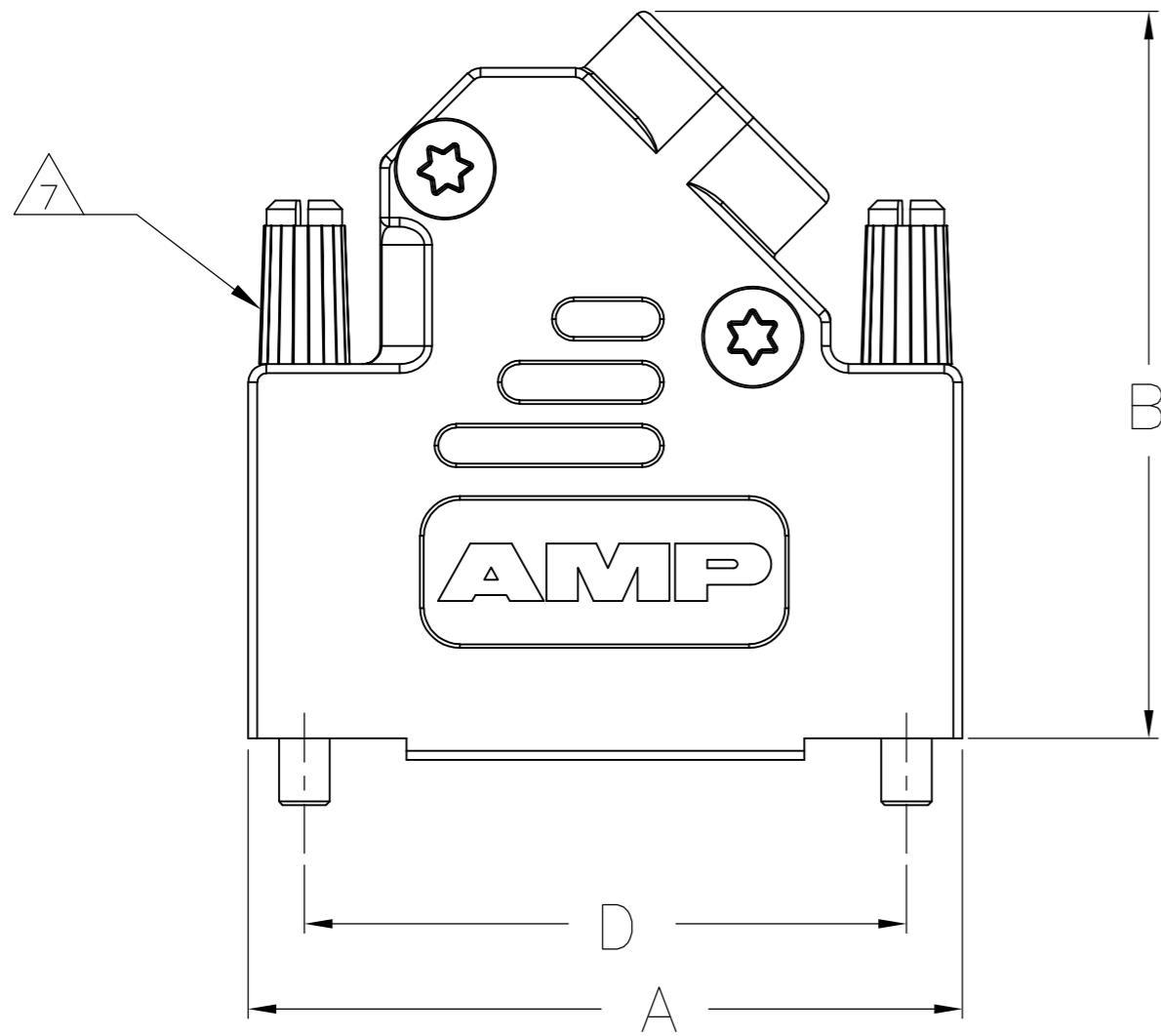


THIS DRAWING IS UNPUBLISHED. RELEASED FOR PUBLICATION 27-02-02 . - .
 © COPYRIGHT 2002 By - ALL RIGHTS RESERVED.

LOC	DIST	REVISIONS			
P	LTR	DESCRIPTION	DATE	DWN	APVD
GP	00	N	REVISED PER ECO-13-000397	31JAN2013	CJV CWR



1. FOR ASSEMBLY DETAILS, REFER TO LEAFLET 2227518-1.

△ JACKSCREW QUANTITY:
 9 WAY ASSEMBLY: 1 JACKSCREW
 15 WAY ASSEMBLY: 2 JACKSCREWS
 25 WAY ASSEMBLY: 2 JACKSCREWS
 37 WAY ASSEMBLY: 2 JACKSCREWS

△ BULK PACKAGED BACKSHELL ASSEMBLIES:
 ITEM 1, 100 PCS LOOSE IN BOX. ITEMS 2 THRU 5, 100 TIMES QTY SHOWN IN TABLE IN 1 BAG FOR EACH ITEM. ALL BAGS IN 1 BOX WITH (1) 2227518-1 LEAFLET.

8. OPTIONAL CABLE CRIMP KIT AVAILABLE FOR 6.0-9.5 DIAMETER CABLE. SEE 1478764

△ INDIVIDUALLY PACKAGED SHELL ASSEMBLIES:
 1 BAG CONTAINS ALL COMPONENTS FOR 1 COMPLETE ASSEMBLY. 100 BAGS PER BOX, (1) 2227518-1 LEAFLET PER BOX.

4. TERMINATES 4.0-13.0 CABLE DIAMETERS.

5. 15 POSITION SHOWN.

△ TRIVALENT CHROMIUM CHROMATE COATING OVER ZINC PLATING.

△	63.5	47.0	33.3	25.0	47.0	33.3	25.0	63.5	47.0	33.3	25.0	63.5	47.0	33.3	25.0	TORX	4-40 UNC	4	37 WAY	5-1478763-4
△	47.0	33.3	25.0	47.0	33.3	25.0	63.5	TORX	4-40 UNC	3	25 WAY	5-1478763-3								
△	33.3	25.0	47.0	33.3	25.0	63.5	TORX	4-40 UNC	2	15 WAY	5-1478763-2									
△	25.0	47.0	33.3	25.0	63.5	TORX	4-40 UNC	1	9 WAY	5-1478763-1										
△	47.0	33.3	25.0	47.0	33.3	25.0	TORX	M3	3	25 WAY	4-1478763-7									
△	33.3	25.0	47.0	33.3	25.0	63.5	TORX	M3	2	15 WAY	4-1478763-6									
△	25.0	47.0	33.3	25.0	63.5	TORX	M3	1	9 WAY	4-1478763-5										
△	63.5	47.0	33.3	25.0	63.5	TORX	4-40 UNC	4	37 WAY	3-1478763-7										
△	47.0	33.3	25.0	47.0	33.3	25.0	TORX	4-40 UNC	3	25 WAY	2-1478763-5									
△	33.3	25.0	47.0	33.3	25.0	63.5	TORX	4-40 UNC	2	15 WAY	1-1478763-5									
△	25.0	47.0	33.3	25.0	63.5	TORX	4-40 UNC	1	9 WAY	1478763-9										
△	D	C	B	A	SELF TAPPING FIXING SCREW TYPE			JACKSCREW THREAD	SHELL SIZE	POSITION	PART NUMBER									

ITEM	DESCRIPTION	MATERIAL	FINISH	QTY
5	JACKSCREW ASSEMBLY	POLYAMIDE, UL94 V2 KNOB CARBON STEEL SHAFT	BLACK △6	△7
4	STRAIN RELIEF SET	POLYCARBONATE UL94 V0	BLACK	1
3	SELF TAPPING FIXING SCREW	CARBON STEEL	△6	2
2	TOP BACKSHELL	ZINC	NICKEL	1
1	BOTTOM BACKSHELL	ZINC	NICKEL	1

THIS DRAWING IS A CONTROLLED DOCUMENT. DIMENSIONING AND TOLERANCING PER ASME Y14.5M-2009

DWN C. VALENTINE 06JAN2011
 CHK C. ROHDE 06JAN2012
 APVD C. ROHDE 06JAN2012

TE Connectivity
 ADK SERIES DIE-CAST BACKSHELL 45 DEGREE ENTRY

SIZE A2 CAGE CODE 00779 C=1478763
 SCALE NTS SHEET 1 OF 1 REV N

PRODUCT SPEC APPLICATION SPEC WEIGHT CUSTOMER DRAWING

Mouser Electronics

Authorized Distributor

Click to View Pricing, Inventory, Delivery & Lifecycle Information:

[TE Connectivity:](#)

[5-1478763-1](#)