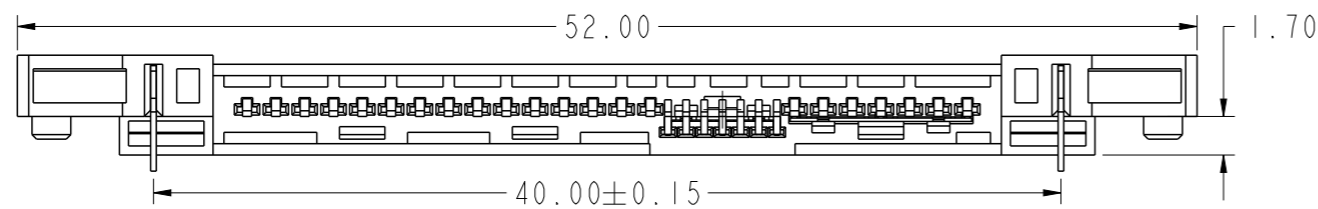
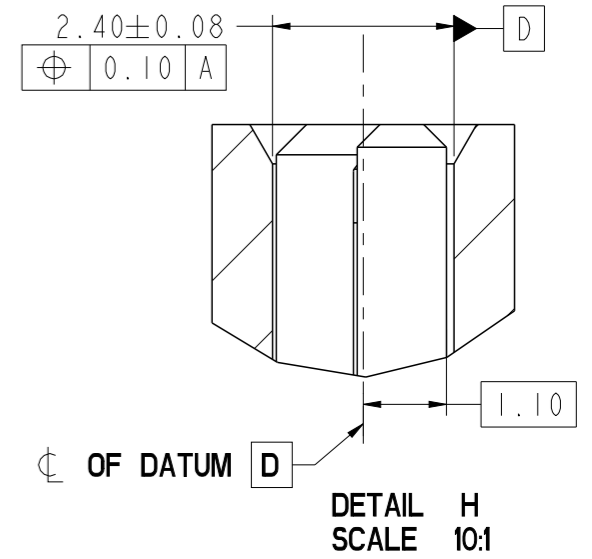
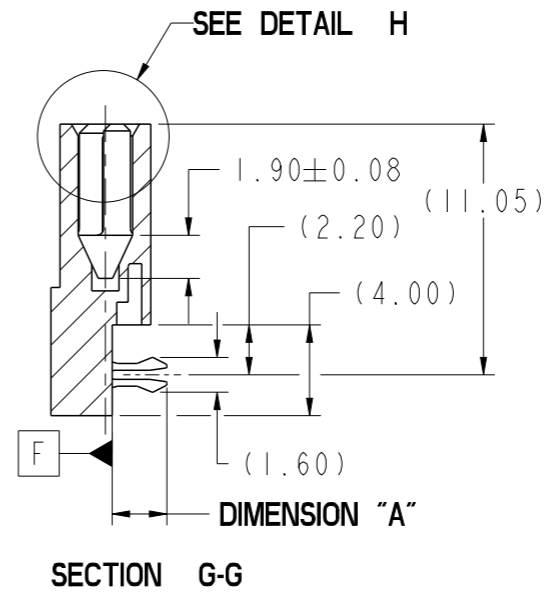
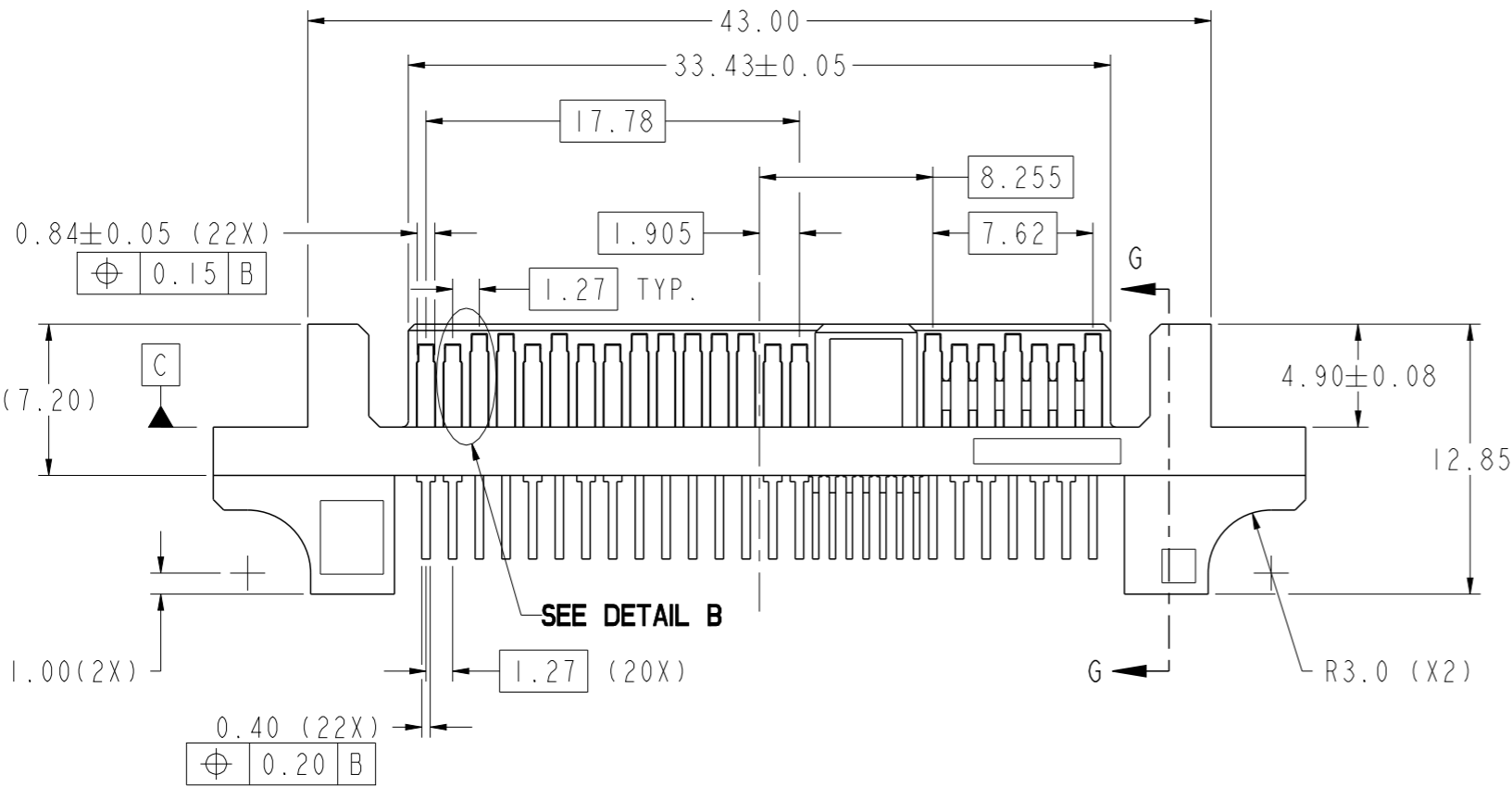
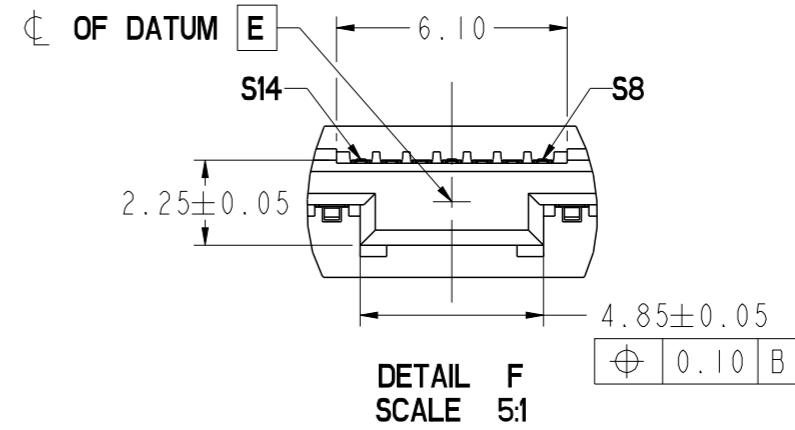
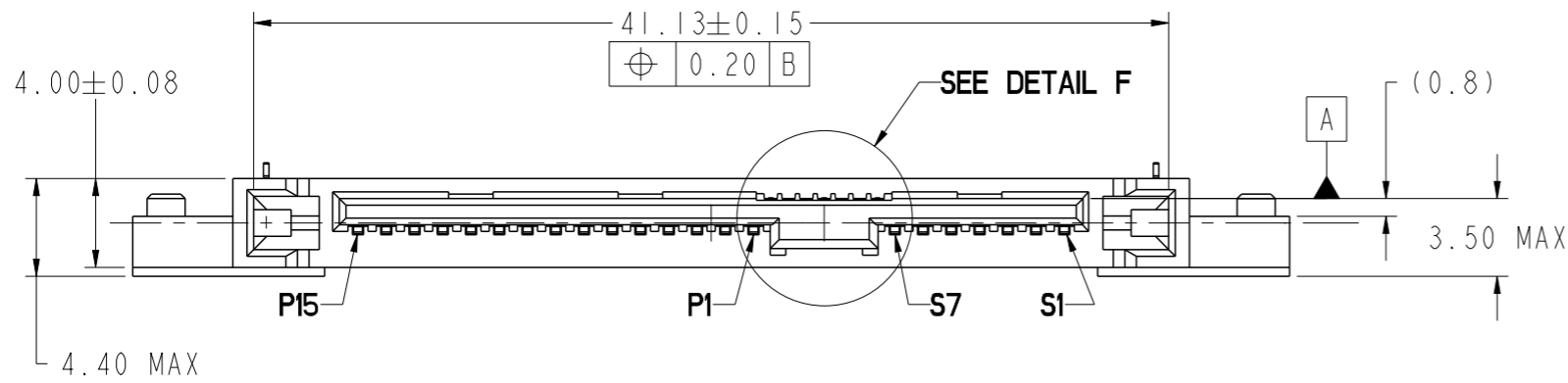
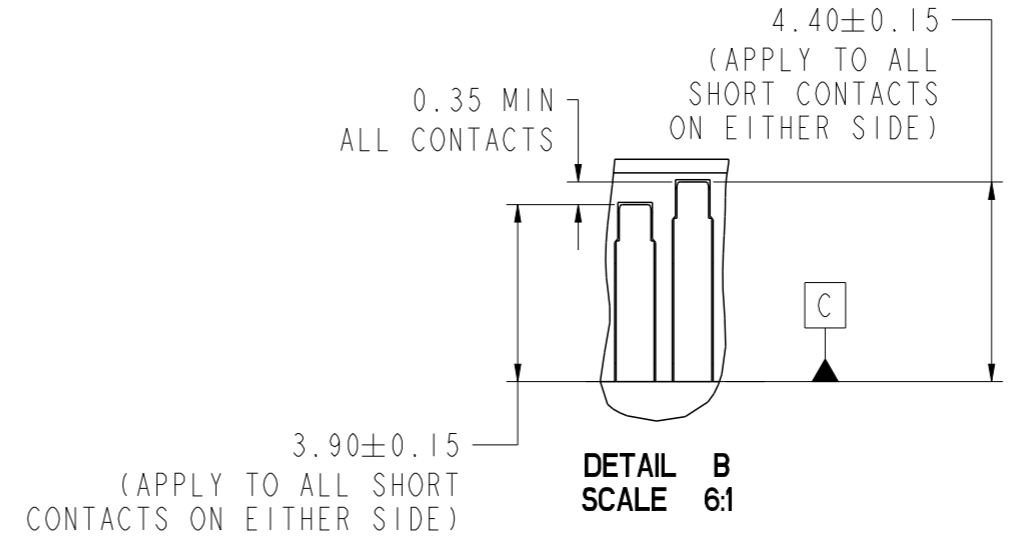
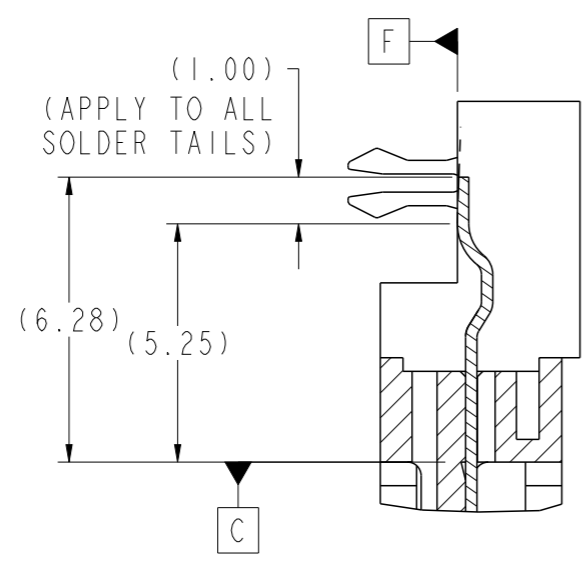
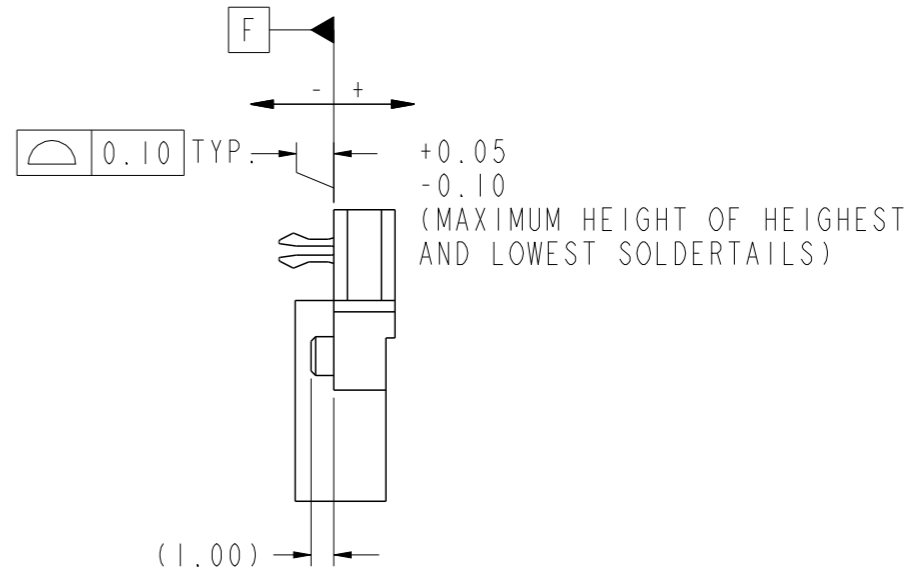
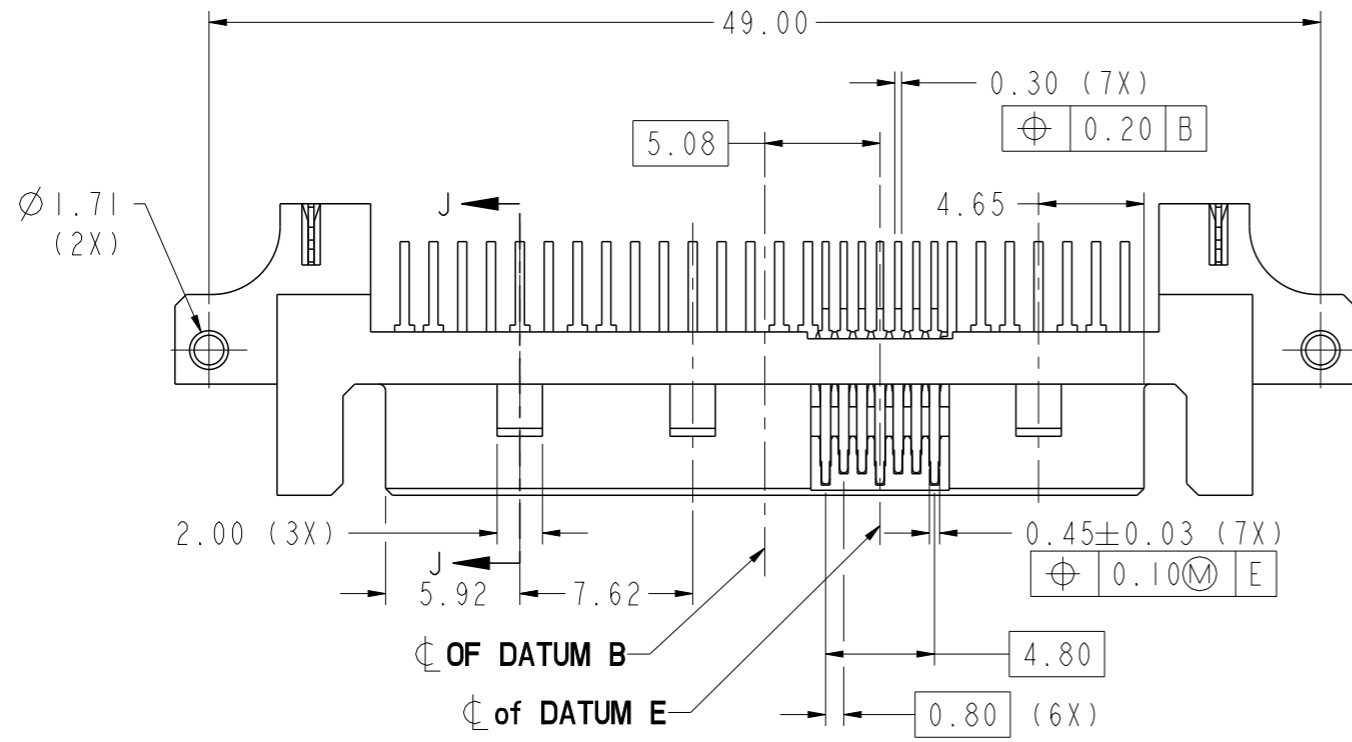


PRODUCT NUMBER  
REFER TO TABLE



spec ref	dr	Suzie Nah	2015/01/26	projection	MM	size	A3	scale	3:1
tolerance std	eng	Siew-Leong Lim	2016/07/19			ecn no	ELX-M-24521-1	rel level	Released
ASME Y14.5	chr	Kok-Ong Tee	2016/07/20						
	appr	Koon-Poh Tay	2016/07/26	<b>Amphenol FCI</b>		part no	12G SAS PLUG R/A SMT	dwg no	10129900
surface	linear	0.X	±0.25	<b>Amphenol FCI</b>		cat. no.	Product - Customer Drw	rev	B
		0.XX	±0.15	<b>Amphenol FCI</b>					
		0.XXX	±0.050	<b>Amphenol FCI</b>					
ASME Y14.5	angular	0°	±2°	<b>Amphenol FCI</b>					

PRODUCT NUMBER  
REFER TO TABLE



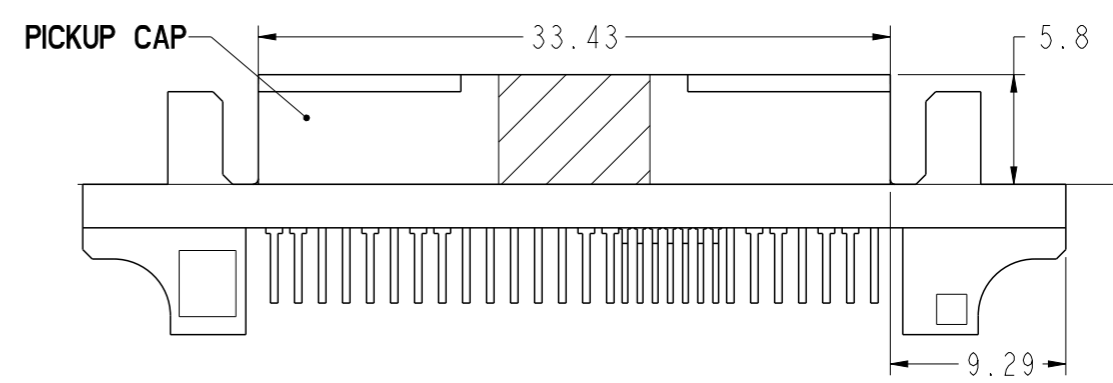
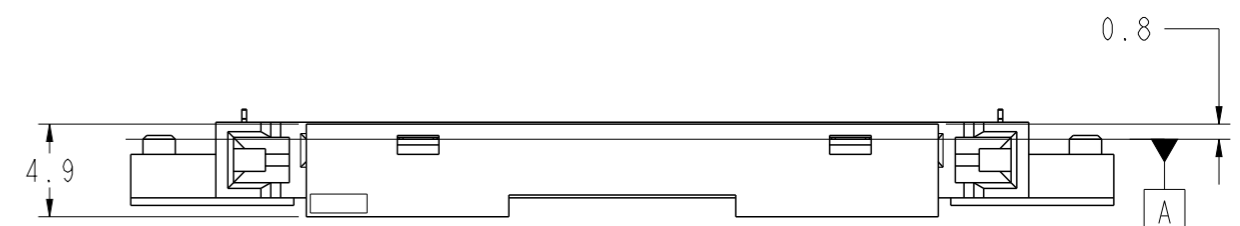
SECTION J-J  
SCALE 6:1

DETAIL B  
SCALE 6:1

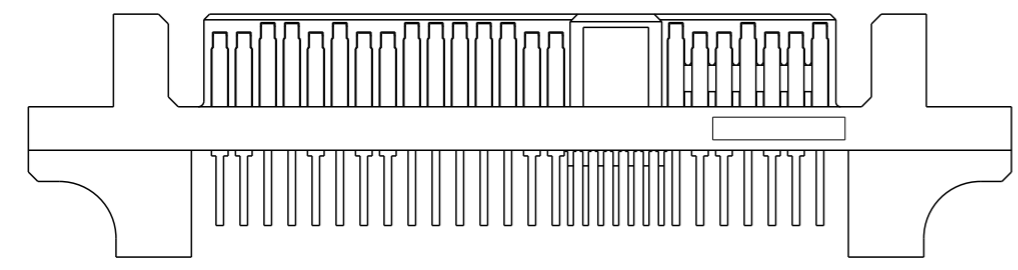
Amphenol FCI  
© 2016 AFCI

spec ref	dr	Suzie Nah	2015/01/26	projection	MM	size	A3	scale	3:1
tolerance std	eng	Siew-Leong Lim	2016/07/19			ecn no	ELX-M-24521-1	rel level	Released
ASME Y14.5	chr	Kok-Ong Tee	2016/07/20						
	appr	Koon-Poh Tay	2016/07/26	product family			rel level	Released	
surface	linear	0.X	±0.25	<b>Amphenol FCI</b> 12G SAS PLUG R/A SMT TYPE ASSY			dwg no	10129900	rev
		0.XX	±0.15						
		0.XXX	±0.050						
ASME Y14.5	angular	0°	±2°	cat. no.	Product - Customer Drw			sheet 2 of 4	

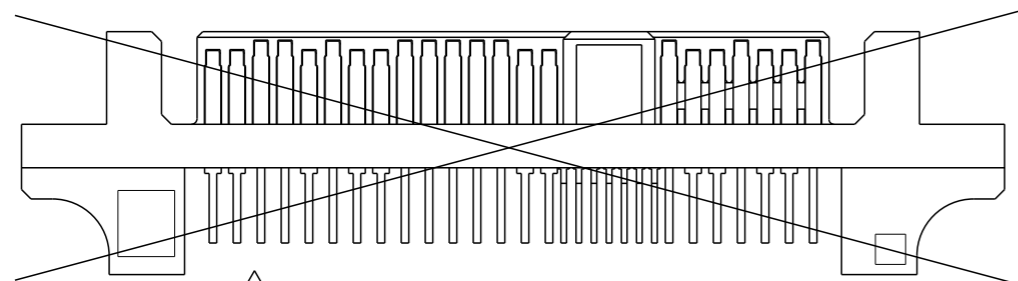
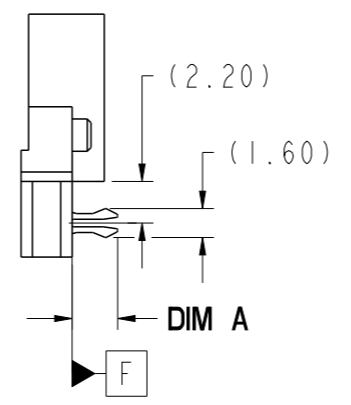
PRODUCT NUMBER	DIMENSION "A"	PCB THICKNESS	WITH ADHESIVE TAPE	WITH PICK-UP CAP	PACKAGING
10129900-001LF	2.40±0.15	1.60	NO		TRAY
10129900-002LF	2.00±0.15	1.20			TAPE & REEL
10129900-001TRLF	2.40±0.15	1.60			TAPE & REEL
10129900-001C-TRLF	2.40±0.15	1.60	N/A	10061860-003	TAPE & REEL
<del>10129900-003C-TRLF</del>	<del>2.40±0.15</del>	<del>1.60</del>			
<del>10129900-004C-TRLF</del>	<del>2.00±0.15</del>	<del>1.20</del>	<del>10113739-001</del>	<del>10061860-003</del>	<del>TAPE &amp; REEL</del>



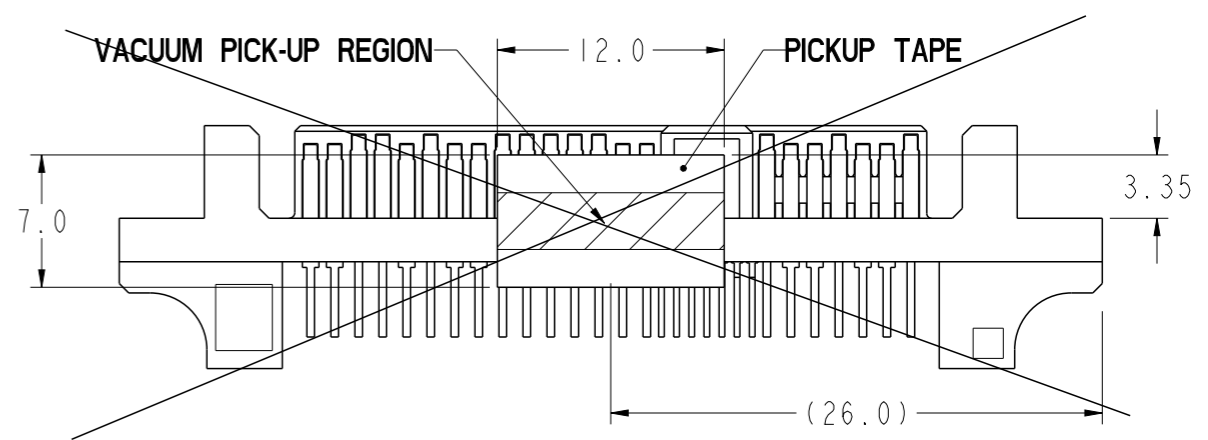
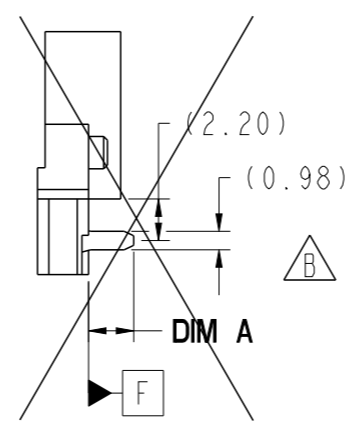
PLACEMENT OF PICKUP CAP



10129900-001/002



~~10129900-003/004~~

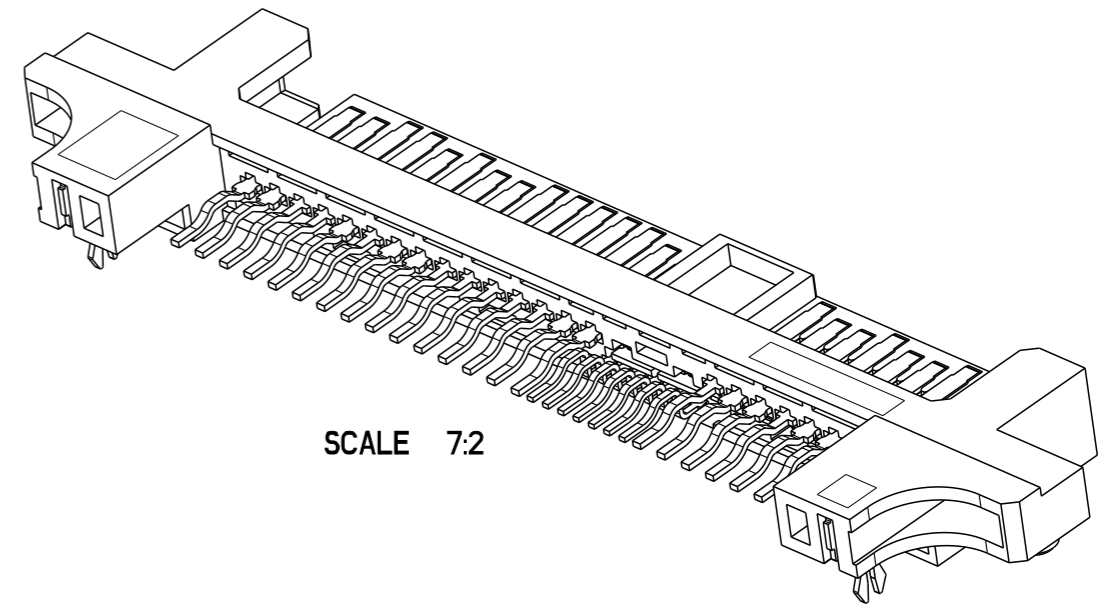
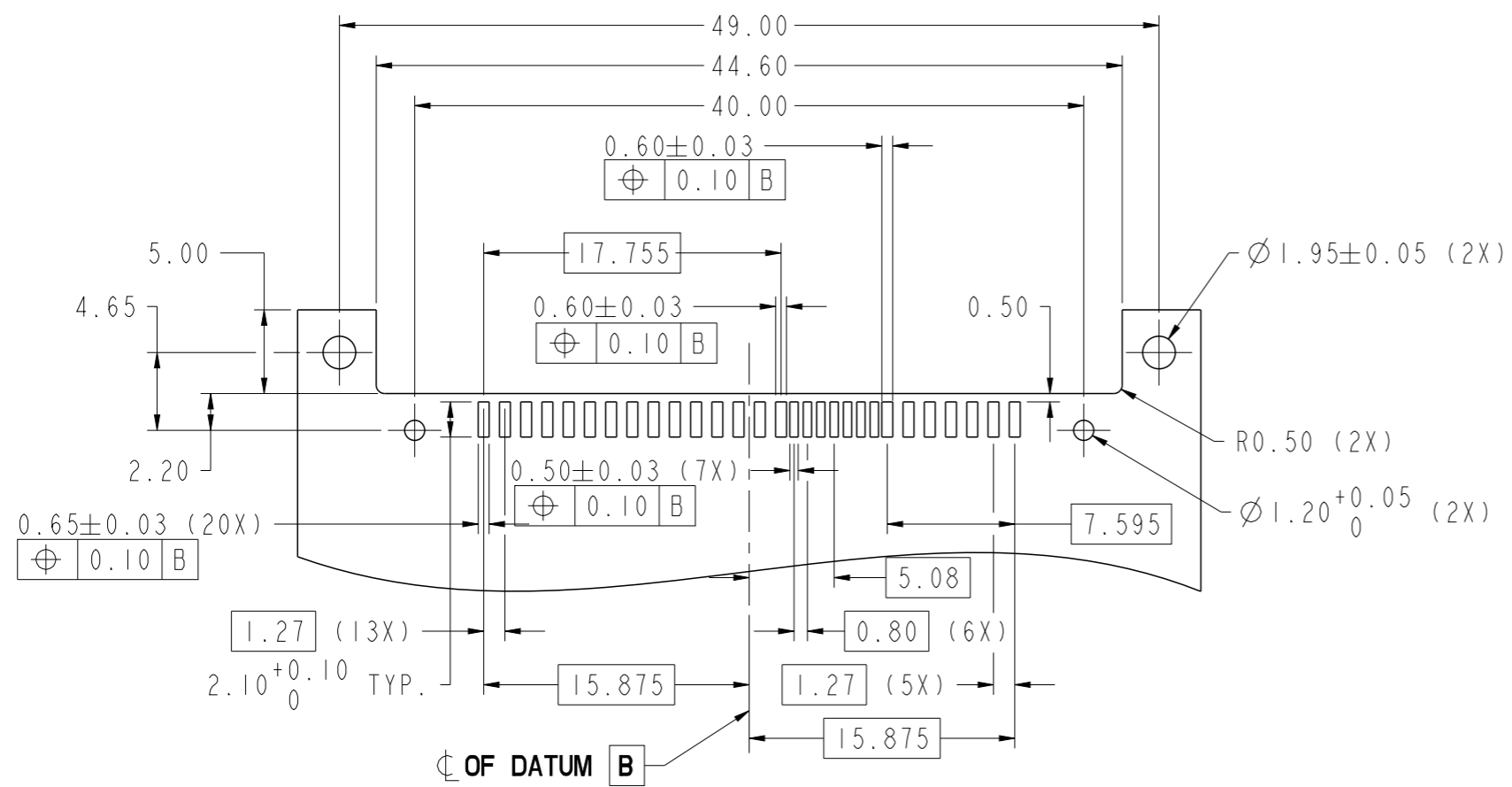


PLACEMENT OF PICKUP TAPE

Amphenol FCI

© 2016 AFCI

spec ref	dr	Suzie Nah	2015/01/26	projection	MM	size	A3	scale	3:1										
tolerance std	eng	Siew-Leong Lim	2016/07/19			ecn no	ELX-M-24521-1												
ASME Y14.5	chr	Kok-Ong Tee	2016/07/20			rel level	Released												
surface	appr	Koon-Poh Tay	2016/07/26	product family	12G SAS PLUG R/A SMT		dwg no	10129900	rev	B									
ASME Y14.5	<table border="1"> <tr> <td>linear</td> <td>0.X</td> <td>±0.25</td> </tr> <tr> <td></td> <td>0.XX</td> <td>±0.15</td> </tr> <tr> <td></td> <td>0.XXX</td> <td>±0.050</td> </tr> <tr> <td>angular</td> <td>0°</td> <td>±2°</td> </tr> </table>		linear	0.X	±0.25		0.XX	±0.15		0.XXX	±0.050	angular	0°	±2°	<b>Amphenol FCI</b>		cat. no.	Product - Customer Drw	sheet 3 of 4
linear	0.X	±0.25																	
	0.XX	±0.15																	
	0.XXX	±0.050																	
angular	0°	±2°																	

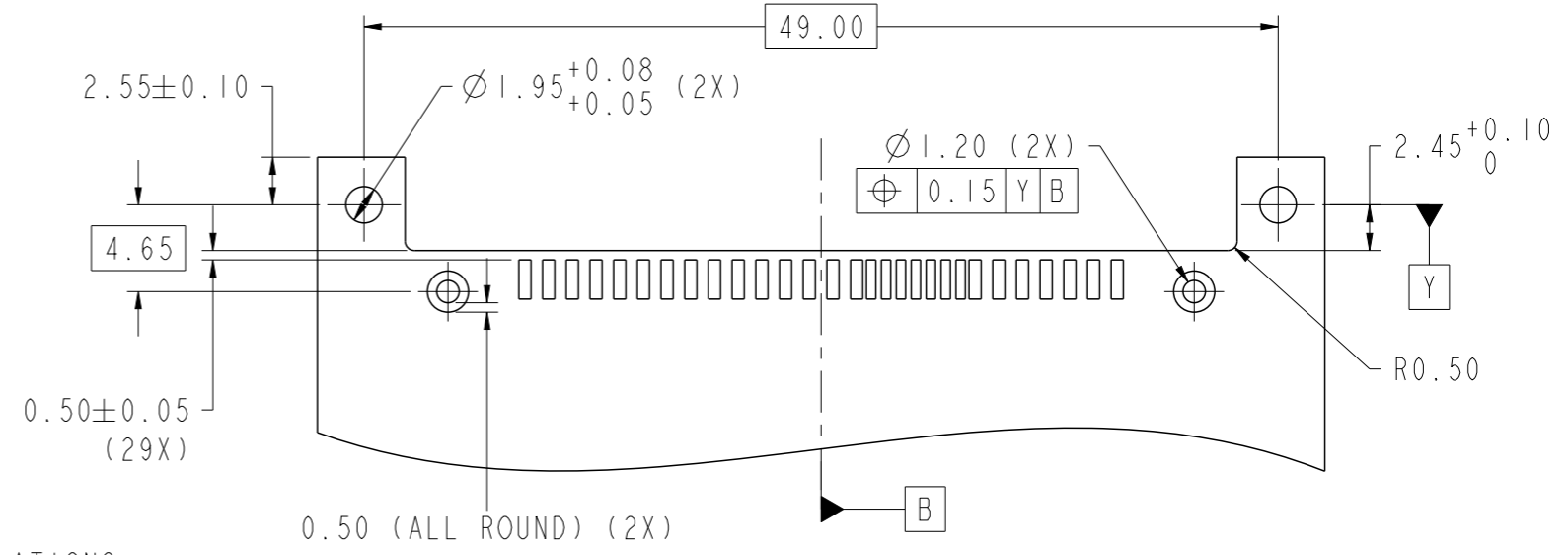


SCALE 7:2

NOTES:

- MATERIAL:  
HOUSING: LCP UL94V-0  
CONTACT & HOLD DOWN: COPPER ALLOY
- FINISH:  
CONTACT: 1.27um Min. NICKEL UNDERPLATE OVERALL,  
1.91um Min. 100% MATTE TIN(LEAD-FREE) ON SOLDER TAIL,  
0.76um Min. GOLD ON CONTACT AREA  
HOLD DOWN: 2.54um Min. 100% MATTE TIN(LEAD-FREE) OVER  
1.27um Min. NICKEL UNDERPLATE OVERALL
- PRODUCT SPEC: GS-12-282
- PACKAGING SPEC: GS-14-952(TRAY); GS-14-1038(TAPE & REEL)
- THIS PRODUCT MEETS EUROPEAN UNION DIRECTIVES AND OTHER COUNTRY REGULATIONS AS DESCRIBED IN GS-22-008
- THE HOUSING WILL WITHSTAND EXPOSURE TO 260°C PEAK TEMPERATURE FOR 10 SECONDS IN A CONVECTION, INFRA-RED OR VAPOR PHASE REFLOW OVEN
- HOUSING WILL WITHSTAND EXPOSURE TO 260°C PEAK FOR 10 SECONDS IN A CONVECTION, INFRA-RED OR VAPOR PHASE REFLOW OVEN
- A SYMBOL  $\triangle B$  WILL BE NEXT TO ANY DIMENSION, VIEW OR NOTE WHICH HAS BEEN MODIFIED WITH THE CURRENT DRAWING REVISION

RECOMMENDED PAD LAYOUT FOR 10129900-001/-002  
SCALE 5:2



RECOMMENDED PAD LAYOUT FOR 10129900-003/-004  
(GENERAL TOLERANCE: ±0.08)  
SCALE 5:2

spec ref	dr	Suzie Nah	2015/01/26	projection	MM	size	A3	scale	3:1
tolerance std	eng	Siew-Leong Lim	2016/07/19			ecn no	ELX-M-24521-1	rel level	Released
ASME Y14.5	chr	Kok-Ong Tee	2016/07/20						
surface	appr	Koon-Poh Tay	2016/07/26	12G SAS PLUG R/A SMT		dwg no	10129900	rev	B
ASME Y14.5	TOLERANCES UNLESS OTHERWISE SPECIFIED		Amphenol FCI		TYPE ASSY		Product - Customer Drw		sheet 4 of 4
linear	0.X	±0.25	cat. no.		Product - Customer Drw		sheet 4 of 4		
	0.XX	±0.15							
	0.XXX	±0.050							
angular	0°	±2°							

# Mouser Electronics

Authorized Distributor

Click to View Pricing, Inventory, Delivery & Lifecycle Information:

[FCI / Amphenol:](#)

[10129900-001LF](#) [10129900-001TRLF](#)