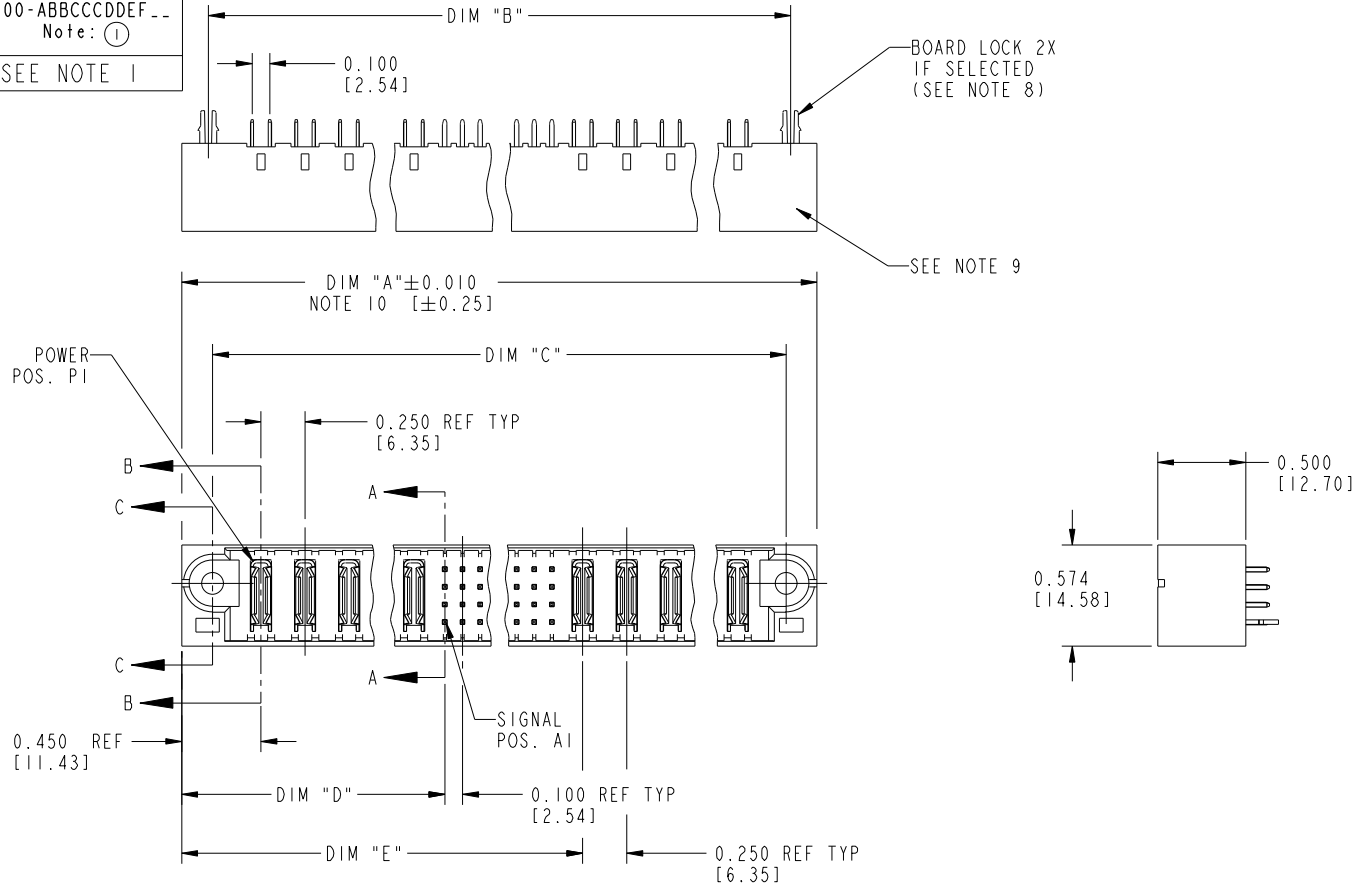


Tous droits strictement réservés. Reproduction ou communication à des tiers interdite sous quelque forme que ce soit sans autorisation écrite du propriétaire. Propriété de c.FCI. Droits de reproduction FCI.



All rights strictly reserved. Reproduction or issue to third parties in any form whatever is not permitted without written authority from the proprietor. Property of FCI. Copyright FCI.

PRODUCT NUMBER  
51700-ABBCCDDEF --  
Note: ①  
SEE NOTE 1



mat'l code				NOTE 2		tolerances unless otherwise specified		CUSTOMER		 www.fciconnect.com	
ltr	ecn no.	dr	date	linear	.XX±.01/0.XX±0.3		COPY		title VERTICAL HEADER w/ GUIDE PIN POWER / SIGNAL / POWER		
K	DG05-0132	SJ	05/26/05		.XXX±.005/0.XX±0.13		projection				
L	DG05-0435	SW	11/03/05	angles	.XXX±.0020/.XXX±.051		 INCH/MM		product family PWRBLADE code 213		
M	DG05-0485	GuoJM	11/21/05		0°±2°		scale 1:1		size dwg no 51700 sheet 1 of 3		
N	DG08-0123	SH	05/19/08	dr	JRW	10-12-01	A		cage code 22526		
				enr	J.ALLISON	10-12-01					
				chr	J.ALLISON	10-12-01					
				appd	J.ALLISON	10-12-01					
sheet index	revision sheet	N 1	N 2	N 3							

Pro/E

cage code 22526

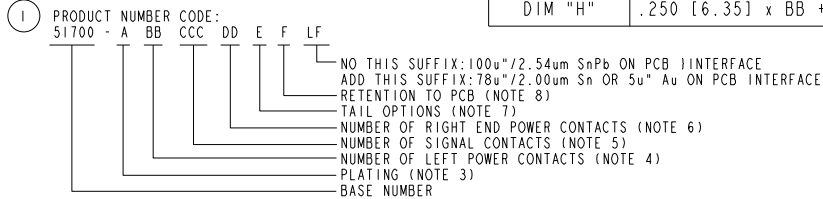
Tous droits strictement reserves. Reproduction ou communication a des tiers interdite sous quelque forme que ce soit sans autorisation ecrite du propriétaire. Propriete de c FCI. Droits de reproduction FCI.

All rights strictly reserved. Reproduction or issue to third parties in any form whatever is not permitted without written authority from the proprietor. Property of FCI. Copyright FCI.

PRODUCT NUMBER
51700-ABBCCDDEF -- Note: ①
SEE NOTE 1

DIM	LENGTH FORMULAS (SEE NOTE 10)
DIM "A"	.250 [6.35] x BB + .100 [2.54] x (CCC/4) + .250 [6.35] x DD + .650 [16.51] (NOTE 10)
DIM "B"	.250 [6.35] x BB + .100 [2.54] x (CCC/4) + .250 [6.35] x DD + .350 [8.89]
DIM "C"	.250 [6.35] x BB + .100 [2.54] x (CCC/4) + .250 [6.35] x DD + .300 [7.62]
DIM "D"	.250 [6.35] x BB + .375 [9.53]
DIM "E"	.250 [6.35] x BB + .100 [2.54] x (CCC/4) + .450 [11.43]
DIM "F"	.250 [6.35] x BB + .100 [2.54] x (CCC/4) + .250 [6.35] x DD + .680 [17.27]
DIM "G"	.250 [6.35] x BB + .225 [5.72]
DIM "H"	.250 [6.35] x BB + .100 [2.54] x (CCC/4) + .250 [6.35]

CONNECTOR NOTES



② HOUSING MATERIAL: UL 94 V-0 GLASS FILLED HIGH TEMP THERMOPLASTIC  
POWER CONTACT MATERIAL: COPPER ALLOY  
SIGNAL CONTACT MATERIAL: COPPER ALLOY

③ PLATING OPTION:  
SEE PRINT 10064183 FOR PLATING SPEC OF 51700-ABBCCDDEF; 51700-ABBCCDDEFLF.

④ LEFT END POWER CONTACTS, 01 TO 20 AVAILABLE.  
MAXIMUM OF 20 POWER CONTACTS PER CONNECTOR.

⑤ SIGNAL CONTACT, 004 TO 148 AVAILABLE.

⑥ RIGHT END POWER CONTACTS, 01 - 20 AVAILABLE.  
MAXIMUM OF 20 POWER CONTACTS PER CONNECTOR.

⑦ TAIL OPTIONS:  
A = 0.135 +0.015/-0.010 [3.43 +0.38/-0.25] SOLDER TO BOARD  
B = 0.165 +0.015/-0.010 [4.19 +0.38/-0.25] SOLDER TO BOARD  
C = 0.165 +0.015/-0.010 [4.19 +0.38/-0.25] PRESS FIT

⑧ RETENTION TO PCB OPTIONS:  
A = BOARD LOCK (REQUIRES 0.098 +0.002/-0.001 [2.49 +0.05/-0.03] THUR HOLE IN PCB).  
RECOMMENDED ON SYMMETRIC CONNECTORS.  
BOARD LOCK TO BE USED IN CONJUNCTION WITH A .092 PCB OR THICKER.  
C = NO RETENTION FEATURE.

- ⑨ MANUFACTURE'S NAME, P/N, AND DATE CODE TO APPEAR ON THIS SURFACE.
- ⑩ THE MAXIMUM OVERALL LENGTH (DIM A) OF A PART IS 8.00 [203.2].
- 11 PRODUCT SPECIFICATION GS-12-149.
- 12 SEE PWRBLADE VERTICAL HEADER SPECIAL WORKSHEET (51696) FOR MATING LENGTH OPTIONS.
- ⑬ DIMENSIONS AND TOLERANCES ARE IN ACCORDANCE WITH ASME Y14.5m, 1994 UNLESS OTHERWISE SPECIFIED.
- PCB NOTES:
14. ALL DIMENSIONS ARE BASIC UNLESS OTHERWISE SPECIFIED.
15. ALL THROUGH HOLES ARE LOCATED WITH A TRUE POSITION OF 0.004 [0.10]
16. ALL HOLE DIAMETERS ARE FINISHED HOLE SIZE
17. Ø0.098 [2.49] THROUGH HOLES ARE UNPLATED.
18. Ø0.0453±0.0010 [1.151±0.025] DRILLED HOLES PLATED WITH 0.0003 [0.008] MIN SnPb OVER 0.001 [0.03] TO 0.003 [0.08] Cu PLATING TO ACHIEVE A Ø0.040±0.003 [1.02±0.07] HOLE.
19. FOR PRESSFIT APPLICATION USE FCI CAM TOOL 430169-XXX.
20. A SYMBOL WILL BE NEXT TO ANY DIMENSION, VIEW, OR NOTE WHICH HAS BEEN MODIFIED WITH THE CURRENT DRAWING REVISION.

mat'l code		NOTE 2		tolerances unless otherwise specified		CUSTOMER				www.fciconnect.com	
ltr	ecn no.	dr	date	linear	.XX±.01/0.X±0.3	COPY		projection		title	
N				angles	.XXX±.005/0.XX±0.13	INCH/MM				VERTICAL HEADER w/ GUIDE PIN POWER / SIGNAL / POWER	
				dr	.XXX±.0020/.XXX±.051	scale		product family		code	
				enr	0°±2°	1:1		PWRBLADE		213	
				chr	JR	A		size		sheet	
				appd	JW			dwg no		2	
					J.LLISON			51700			
					J.LLISON						
					J.LLISON						
sheet index	revision sheet										

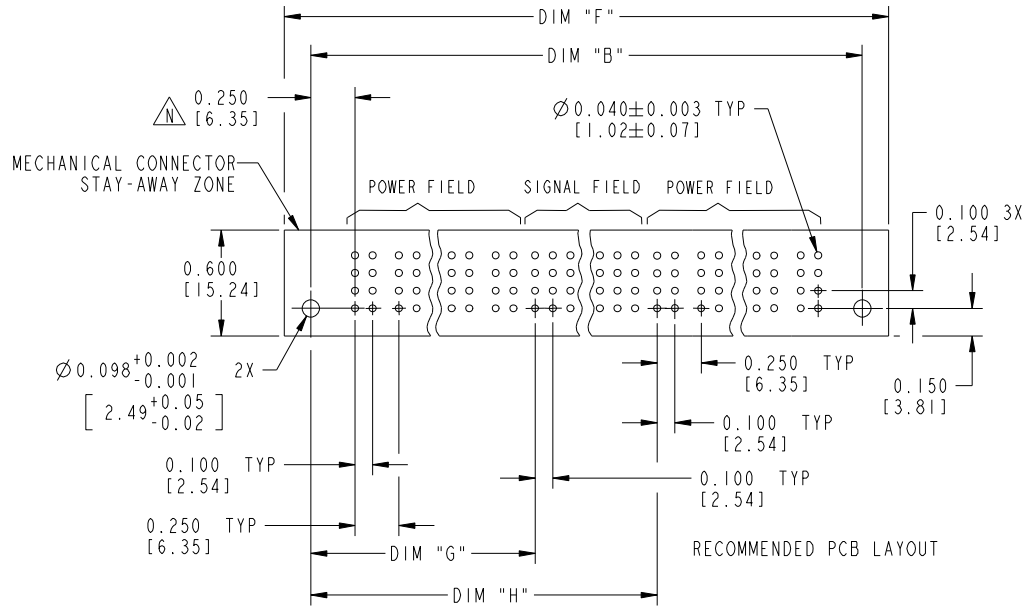
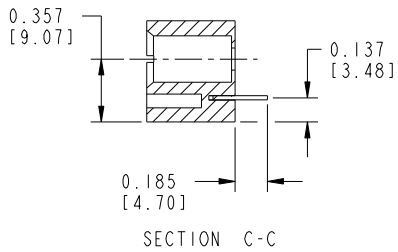
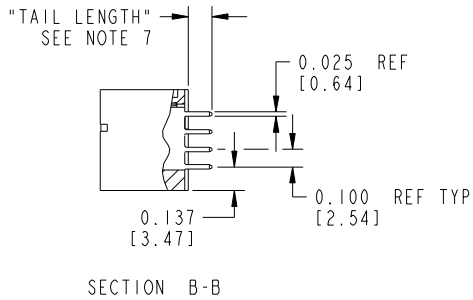
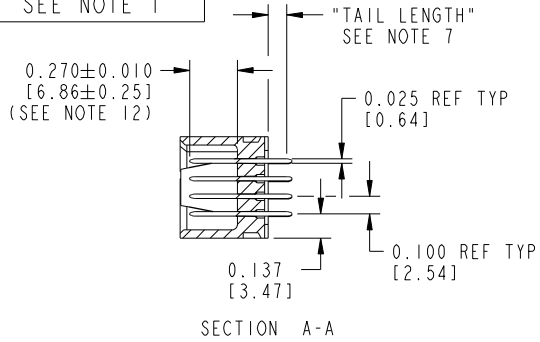
cage code 22526

Pro/E

Tous droits strictement réservés. Reproduction ou communication à des tiers interdite sous quelque forme que ce soit sans autorisation écrite du propriétaire. Propriété de c.FCI. Droits de reproduction FCI.

All rights strictly reserved. Reproduction or issue to third parties in any form whatever is not permitted without written authority from the proprietor. Property of FCI. Copyright FCI.

PRODUCT NUMBER
51700-ABBCCDDDEF -- Note: ①
SEE NOTE 1



mat'l code		NOTE 2	tolerances unless otherwise specified		CUSTOMER		 www.fciconnect.com			
ltr	ecn no.	dr	date	linear	.XX±.01/0.X±0.3	COPY				
N				angles	.XXX±.005/0.XX±0.13	projection	title VERTICAL HEADER w/ GUIDE PIN POWER / SIGNAL / POWER			
				dr	.XXX±.0020/.XXX±.051	 INCH/MM				
				enr	JRw	10-12-01	product family	PWRBLADE	code	213
				chr	J.ALLISON	10-12-01	size	dwg no	sheet	3
				appd	J.ALLISON	10-12-01	scale	1:1		
sheet index	revision sheet									

Pro/E

cage code 22526

# Mouser Electronics

Authorized Distributor

Click to View Pricing, Inventory, Delivery & Lifecycle Information:

## FCI / Amphenol:

[51700-10403204CA](#) [51700-11102003AALF](#) [51700-10104801AALF](#) [51700-10106001AALF](#) [51700-10201602CCLF](#)  
[51700-10202402AALF](#) [51700-10402404AALF](#) [51700-10403204CALF](#) [51700-10602406CALF](#) [51700-10101201ACLF](#)  
[51700-10101201CCLF](#) [51700-10114801AALF](#) [51700-10200402BALF](#) [51700-10201202CCLF](#) [51700-10301203AALF](#)  
[51700-10502405AALF](#) [51700-10810008CALF](#) [51700-11008410AALF](#) [51700-11102003CCLF](#) [51700-10106001AA](#)  
[51700-10201602CC](#) [51700-10100801AALF](#) [51700-10101601AALF](#) [51700-10102401AALF](#) [51700-10110001AALF](#)  
[51700-10201202AALF](#) [51700-10202402CA](#) [51700-10202402CCLF](#) [51700-10302403CCLF](#) [51700-10400804AALF](#)  
[51700-10402402CCLF](#) [51700-10402404CC](#) [51700-10402404CCLF](#) [51700-10801208CCLF](#) [51700-10202402CALF](#)  
[51700-10203202CCLF](#) [51700-10602406AALF](#) [51700-10100401AALF](#) [51700-10400404AALF](#) [51700-10304003AALF](#)  
[51700-10102401ACLF](#) [51700-10101201CALF](#) [51700-10402804AALF](#) [51700-10301202AALF](#) [51700-10400804CALF](#)  
[51700-10204802AALF](#) [51700-10112801AALF](#) [51700-10600806CALF](#) [51700-10102001CCLF](#) [51700-10209602AALF](#)  
[51700-10102001AALF](#) [51700-10403607AALF](#) [51700-10202002AALF](#) [51700-10802408CALF](#) [51700-10100801CCLF](#)  
[51700-10303203ACLF](#) [51700-10201602AALF](#) [51700-10206002AALF](#) [51700-10801608AALF](#) [51700-10301603AALF](#)  
[51700-10412004AALF](#) [51700-10300403AALF](#) [51700-10703207ACLF](#) [51700-10101201AALF](#) [51700-10204002AALF](#)  
[51700-10402404ACLF](#) [51700-10103201CCLF](#) [51700-10500805CALF](#) [51700-10304803AALF](#) [51700-B0200402AALF](#)  
[51700-10103201AALF](#) [51700-10404804AALF](#) [51700-B0201602CALF](#) [51700-11004410CCLF](#) [51700-10401204AALF](#)  
[51700-10101601CCLF](#) [51700-B0201602CCLF](#) [51700-10900809CCLF](#) [51700-10302408AALF](#) [51700-10100802CCLF](#)  
[51700-10200802CALF](#) [51700-10201602CALF](#) [51700-10401603CALF](#) [51700-11102003CALF](#) [51700-10401204CALF](#)  
[51700-10401604CCLF](#) [51700-10201202BALF](#) [51700-10201202CALF](#) [51700-10100801CALF](#) [51700-10403204AALF](#)  
[51700-10405604CCLF](#) [51700-10101601CALF](#) [51700-10102401CCLF](#) [51700-10200402AALF](#) [51700-10200802AALF](#)  
[51700-10202402BALF](#) [51700-10203202AALF](#) [51700-10204802CALF](#) [51700-10208002AALF](#) [51700-10400404CALF](#)