




Product information CA 6 LD

Industrial Connecting Solutions: Circular Connectors: MIL, DIN, Universal Connectors: Signal and Power (CA series): Cable socket and panel-mounted socket: CA 6 LD

<https://e-catalog.hirschmann.com:443/link/57078-24228-256281-256284-24359-24360-36071/en/conf/ulistate>

Name	CA 6 LD
	
	Straight cable socket, integrated strain relief
Delivery informations	
Availability	available
Product description	
Description	Straight cable socket, integrated strain relief
Type	CA 6 LD
Order No.	934 127-100
Number of contacts	6 + PE
Cable gland	M 22x2
Cable diameter	6 mm to 12 mm
Conductor size	max. 0.75 mm ²
Housing Color	black
Technical data	
Pin dimensions	1.5 mm
Rated voltage	AC/DC 250 V
Rated current	10 A AC/DC
Contact resistance	<= 5 mOhm
Type of termination	solder, concave pins
Material	
Contact surface material	Ag
Contact bearer material	PA 66-GF 25
Housing material	PA 66-GF 25
O-Ring	NBR
Environmental conditions	
Protection class (IEC 60529)	IP 67
Pollution severity	3
Temperature range	-40 °C to +90 °C
Inflammability class	
Flammability, UL standard	94 V-0
Approvals	
UL	UL
VDE	VDE
Packing unit	
Packaging unit	100 pieces
Scope of delivery and accessories	
Scope of delivery	1 cable socket, not assembled, assembly instructions
Accessories to order separately	can be plugged into CA 6 LS, CA 6 GS; cap CA 00 SD 3, order no. 831 532-400



HIRSCHMANN

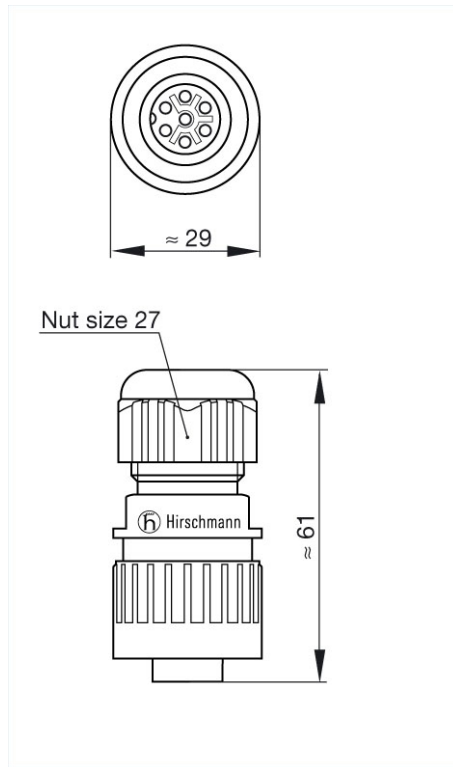
A BELDEN BRAND

Industrial Connecting Solutions: Circular Connectors: MIL, DIN, Universal Connectors: Signal and Power (CA series): Cable socket and panel-mounted socket: CA 6 LD

<https://e-catalog.hirschmann.com:443/link/57078-24228-256281-256284-24359-24360-36071/en/conf/ui/state>

Picture

Drawing



Belden Deutschland GmbH

Im Gewerbepark 2
58579 Schalksmühle
Germany
Phone: +49 7127/14-1806
E-Mail: icos-sales@belden.com

The information published in the websites has been compiled as carefully as possible. It is subject to alteration without notice in technical as well as in price-related/commercial respect. The complete information and data were available on user documentation. Mandatory information can only be obtained by a concrete query.

Mouser Electronics

Authorized Distributor

Click to View Pricing, Inventory, Delivery & Lifecycle Information:

[Lumberg Automation:](#)

[CA 6 LD](#)