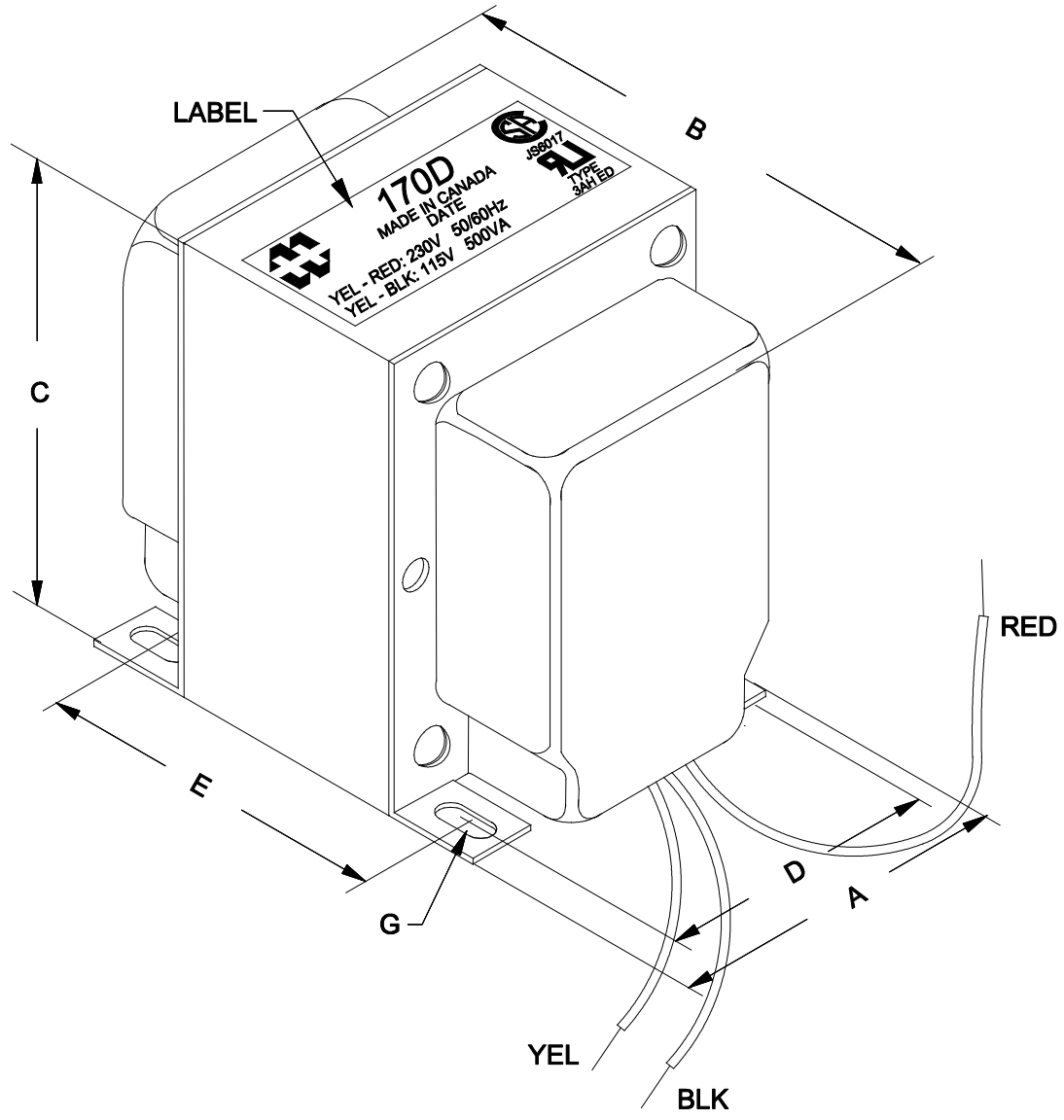
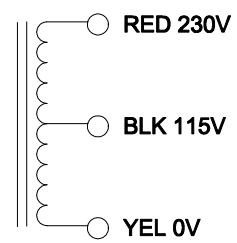


170D

DIMENSIONS:

A	3.750" ±0.063
B	4.436" ±0.125
C	4.560" ±0.063
D	3.000" ±0.063
E	3.313" ±0.063
G	0.203"X0.375" ±0.015



NOTE: ALL LEADS 8" OUT MIN., STRIPPED .25"

HAMMOND ELECTRONICS
52 RANKIN PLACE,
WATERLOO, ONTARIO, N2L 3Z5.
PHONE (519) 886-6181
FAX # (519) 886-9540

TITLE		170D	
1	09/27/10	RELEASED.	DR BY CORINA ILIE
NO	DATE	REVISION	DATE 09/27/10
			DIM IN(X)MM()

170D