

Professionally approved products. Datasheet

HDHDPOR-VGA

RS Stock number 706-7072



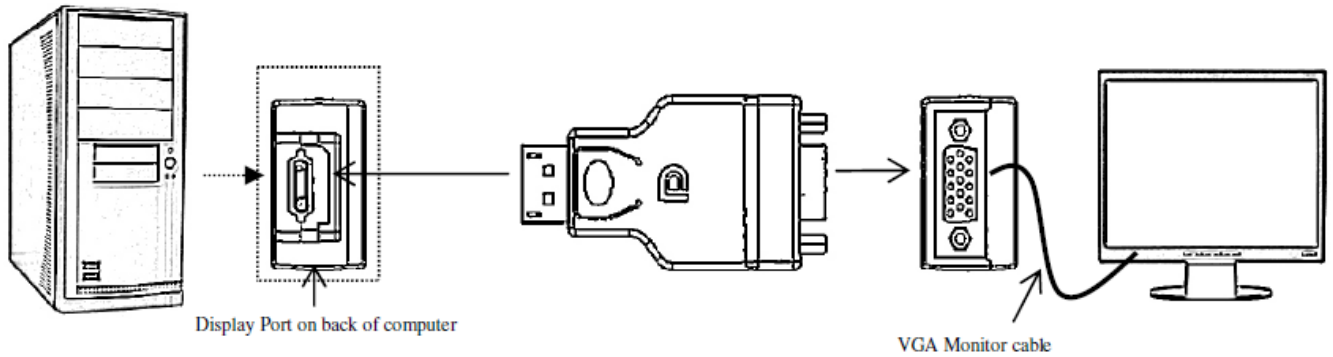
Description:

Display Port to VGA adapter, the adapter has a male Display Port plug to VGA female port to connect to VGA monitors.

Features and Specifications:

- Display Port v1.1 compliant
- High quality digital audio transmissions
- Embedded clock architecture to reduce EMI susceptibility
- Supports resolutions greater than QXGA (2048 x 1536) at 24-bit colour depths
- Supports existing VESA and CEA standards
- Supports hot plug detection as well as link status failure
- Supports a minimum of 1080P resolution at 24bpp, 50/60 Hz at 15 metres
- Supports Display Port signal to VGA signal
- Supports video bandwidth up to 10.8Gbps
- Connector : 20pin Display Port to 15pin VGA

Professionally approved products. Datasheet



Signal Inputs/Output	
Maximum Single Link Range	1920X1200, 1080P
Video format supported	
VGA	Max to 1920x1200
Operating Frequency	
Frequency	154MHz/144MHz
Vertical Frequency Range	60Hz
Video Amplifier Bandwidth	8bpc/10bpc
Mechanical	
Size(L X W X H)	116 X 39 X 20.5mm