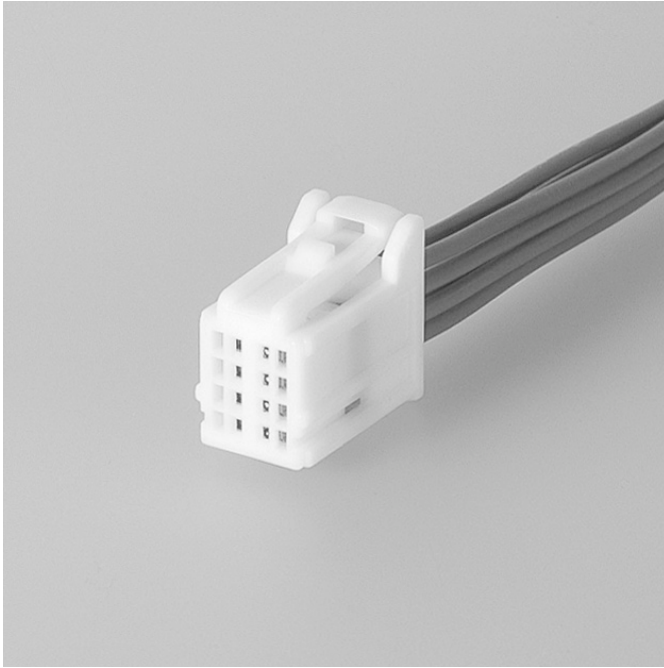


NAC-I CONNECTOR

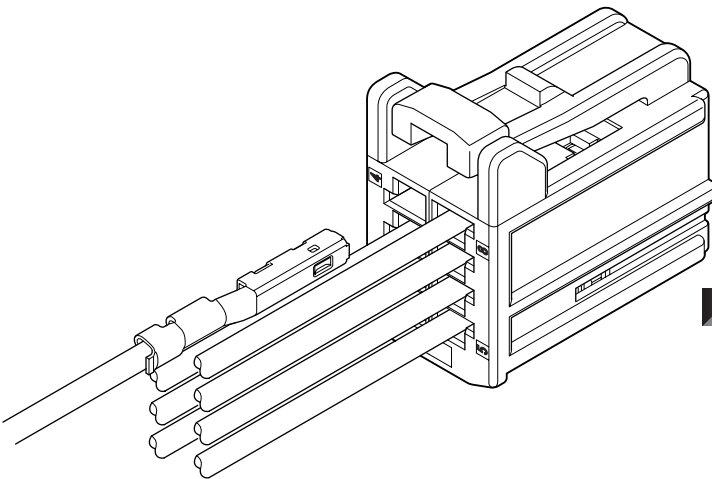
Wire-to-wire



Features

- Compact Design, Independent Secondary Lock (Terminal Position Assurance)
- Accept 0.64 to 1.2mm Blade
- 2X4 Circuit Design

Low profile dual row connector compliant with the USCAR performance specifications.
For general automotive applications.

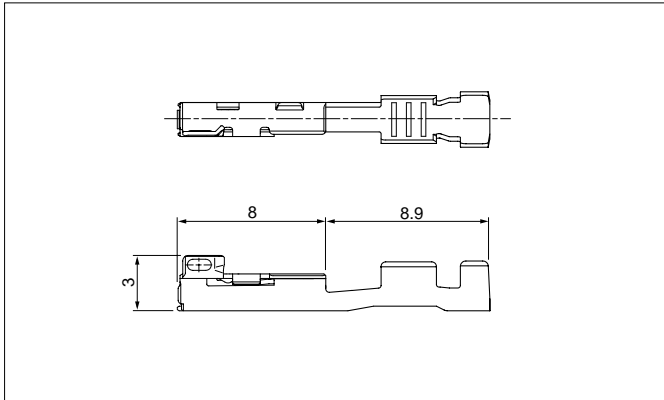


Specifications

- Current rating: 5A DC max.
- Voltage rating: 14V DC
- Temperature range: -40°C to +85°C
(including temperature rise in applying electrical current)
- Contact resistance: Initial value/20mΩ max.
After environmental testing/20mΩ max.
- Insulation resistance: 20MΩ min.
- Applicable wire: SAE/ AVSS/ CAVS
0.3mm² to 0.5mm²

- * Compliant with ELV/RoHS.
- * Contact JST for details.

Female terminal

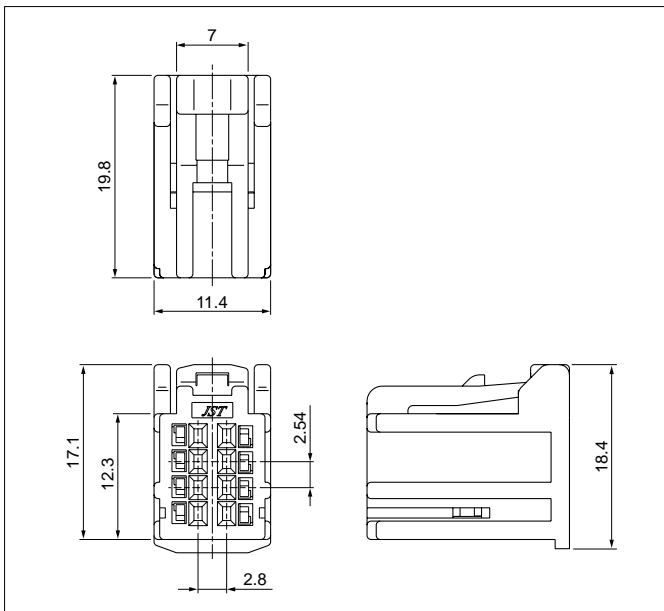


Model No.	Applicable wire range		Q'ty/reel
	Conductor (mm ²)	Insulation O.D. (mm)	
SNAC-A03T-M040	0.3 to 0.5	≤1.9	5,000

Material and Finish

Copper alloy, tin-plated (reflow treatment)

Female housing

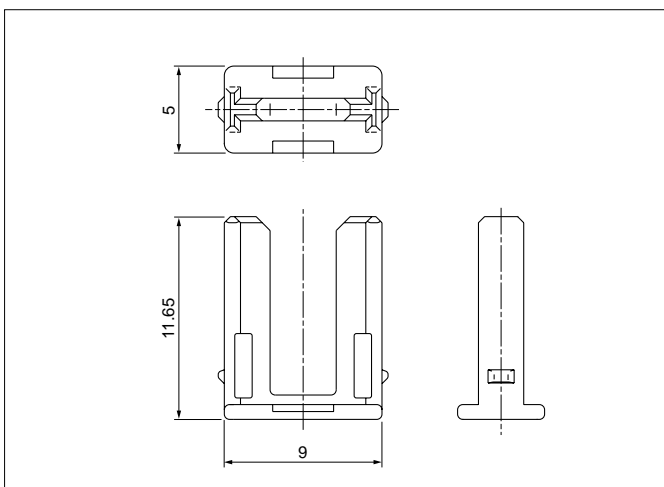


Circuits	Model No.	Q'ty/box
8	NACP-08-S	2,000

Material

PBT, natural (white)

Female retainer



Circuits	Model No.	Q'ty/box
8	NACS-08-E	2,000

Material

PBT, blue

Crimping machine, Applicator

Strip terminal	Crimping machine	Crimp applicator MKS-L	
		Dies	Crimp applicator with dies
SNAC-A03T-M040	AP-K2N	MK/SNAC-A03-040	APLMK SNAC-A03-040

Note: When crimping operation is conducted using an applicator and die set other than the above, JST cannot guarantee the performance of the terminal.

Mouser Electronics

Authorized Distributor

Click to View Pricing, Inventory, Delivery & Lifecycle Information:

JST:

[SNAC2-A03T-M040](#)