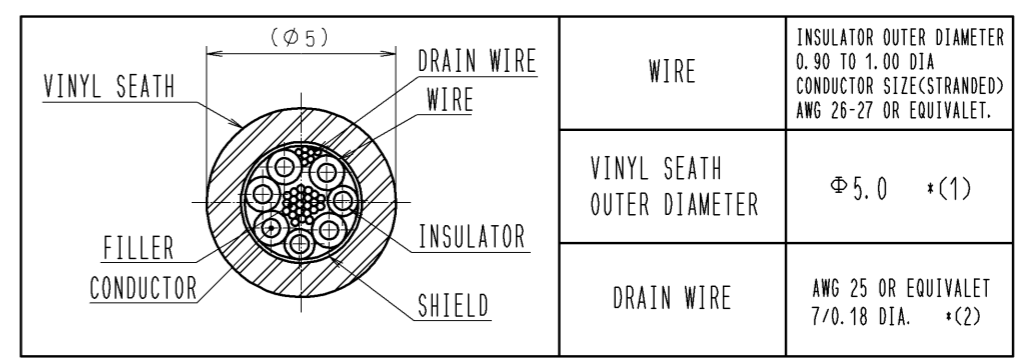


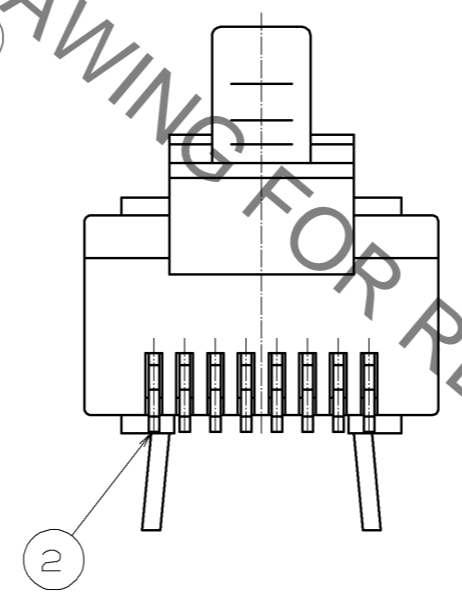
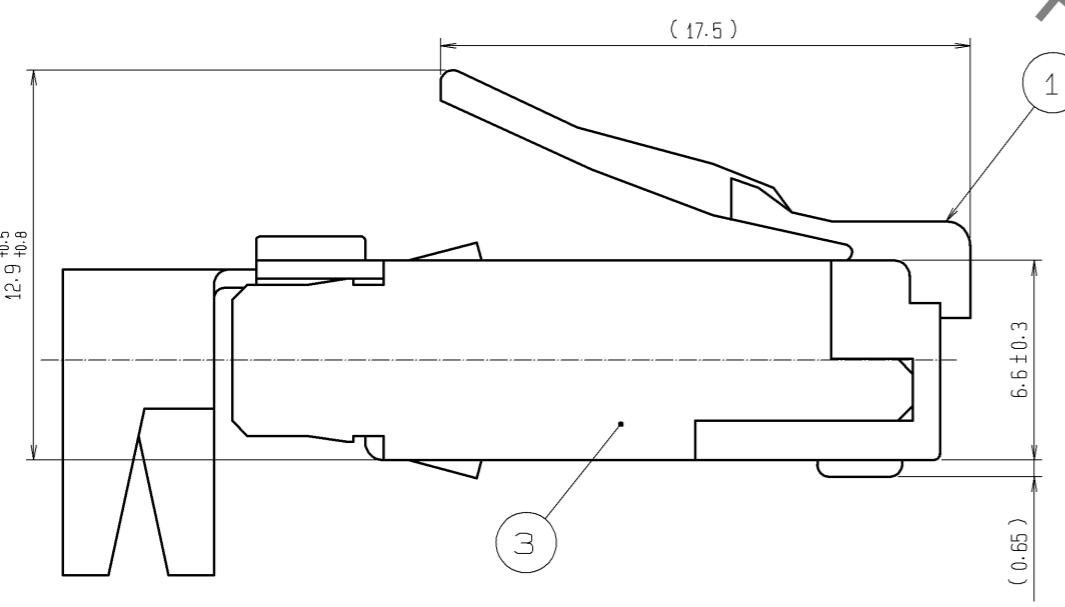
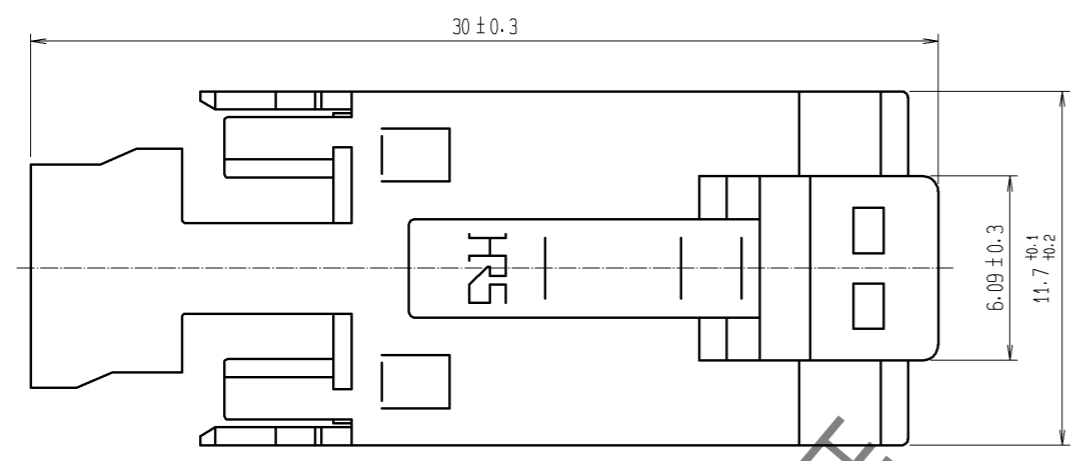
Jun.1.2021 Copyright 2021 HIROSE ELECTRIC CO., LTD. All Rights Reserved.
In case of consideration for using Automotive equipment / device which demand high reliability, kindly contact our sales window correspondents.

NOTES 1. APPLICABLE CABLE.

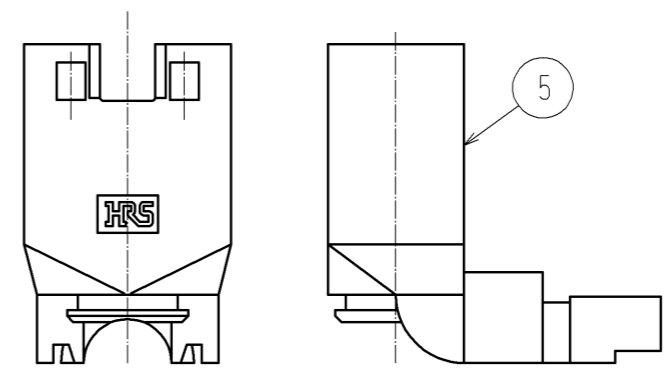


*(1) CABLE ENTRY IS 5.6MIN.
*(2) CONSTRUCTION IS FOR REFERENCE.

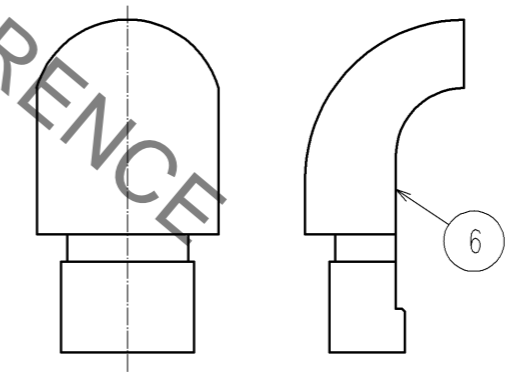
② ADAPTER SHALL BE USED TO ALIGN INDIVIDUAL WIRE.
3. THE DIMENSION IN PARENTHESIS IS FOR REFERENCE.



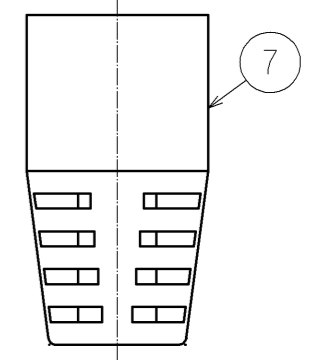
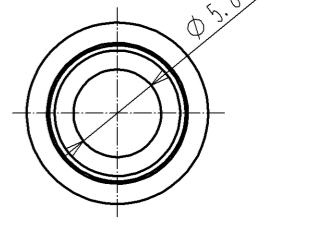
HOOD (A) (2:1)
ATTACHED



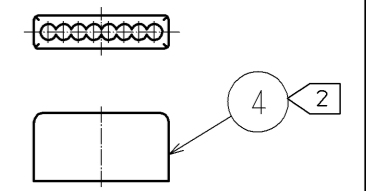
HOOD (B) (2:1)
ATTACHED



BUSH (2:1)
ATTACHED



ADAPTER (2:1)
ATTACHED



3	BRASS	OVER : TIN REFLOW PLATING 1μm min UNDER: COPPER PLATING 0.5μm min	7	PVC	LIGHT BEIGE
2	PHOSPHOR BRONZE	CONTACT : GOLD PLATING 1.27μm min TERMINAL : GOLD PLATING 0.03μm min UNDER : NICKEL PLATING 2μm min	6	POLYCARBONATE	LIGHT BEIGE
1	POLYCARBONATE	TRANSPARENCY	5	POLYCARBONATE	LIGHT BEIGE
			4	POLYCARBONATE	TRANSPARENCY
NO.	MATERIAL	FINISH . REMARKS	NO.	MATERIAL	FINISH . REMARKS

UNITS mm	SCALE 4 : 1	COUNT △	DESCRIPTION OF REVISIONS	DESIGNED	CHECKED	DATE
APPROVED : YH. ENAMI		08.06.11	DRAWING NO.	EDC3-120682-02		
CHECKED : HO. MIWA		08.06.11	PART NO.	TM11APA1-88P		
DESIGNED : KI. NAGANUMA		08.06.10	CODE NO.	CL222-2783-4-00		
DRAWN : KI. NAGANUMA		08.06.10		1/1		

Mouser Electronics

Authorized Distributor

Click to View Pricing, Inventory, Delivery & Lifecycle Information:

[Hirose Electric:](#)

[TM11APA1-88P](#)