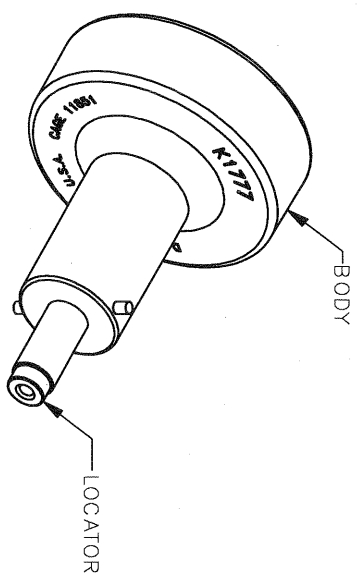
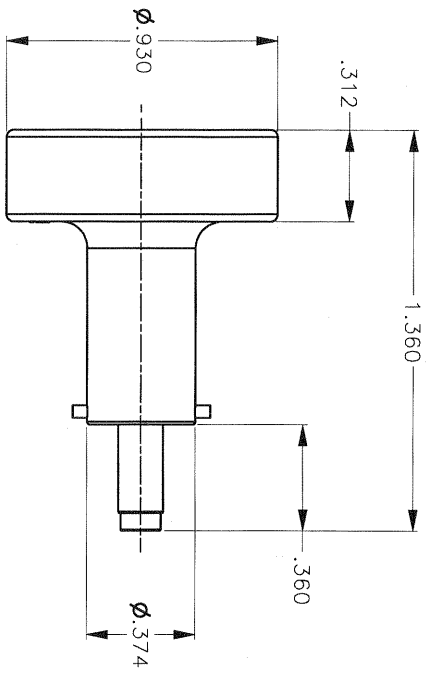
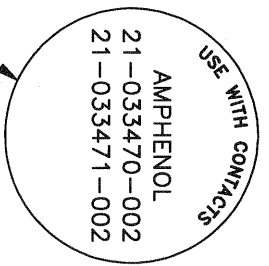
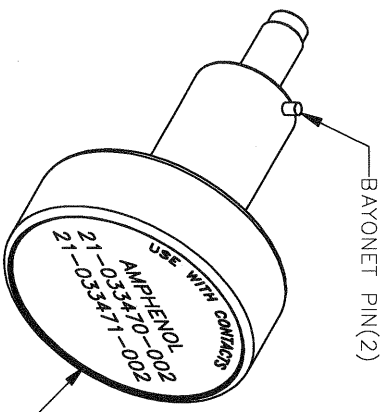


REVISIONS			
REV	ECN	BY	APP'D
SYM	NUMBER	DATE	DATE
1	21679	04-01-10	
ORIGINAL RELEASE			

UNCONTROLLED DOCUMENT
WILL NOT BE UPDATED



LOCATOR	
HOLE DIMENSIONS	ADDITIONAL FEATURES
Ø.037 ▽THRU	└┐Ø.052 ▽.103



RESTRICTED & CONFIDENTIAL		CONFIDENTIAL PROPERTY OF DANIELS MANUFACTURING CORP. NOT TO BE DISCLOSED TO OTHERS, REPRODUCED OR USED FOR ANY OTHER PURPOSE WITHOUT THE WRITTEN PERMISSION BY DANIELS MANUFACTURING. MUST BE RETURNED TO DANIELS MANUFACTURING CORP. ON COMPLETION OF ORDER OR OTHER PURPOSE FOR WHICH INT.	
MATERIAL	ITEM	PART NO.	DESCRIPTION/REMARKS
HEAT TREAT	DRN. <i>Shaw</i>	DATE	
FINISH	CHD.	DATE	
	APP'D.	DATE	
	APP'D.	DATE	
NOTE: THIS DRAWING IS AN OUTLINE DRAWING OF THE RESPECTIVE INDICATED PART NUMBER. PART NUMBER IS DRAWING NUMBER WITHOUT THE "-ENV" SUFFIX.		WHERE USED: AFMB	TITLE
DO NOT SCALE DRAWING		SCALE	ENVLOPE DRAWING
		SIZE	
		POSTING	
		DWG No.	K1777-ENV
		SHEET	1 OF 1
		REV.	

NOTE: FOR USE WITH DANIELS CRIMP TOOLS
ACCOMMODATING "K" SERIES POSITIONERS

Mouser Electronics

Authorized Distributor

Click to View Pricing, Inventory, Delivery & Lifecycle Information:

[Daniels Manufacturing:](#)

[K1777](#)