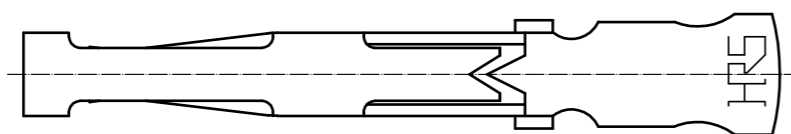
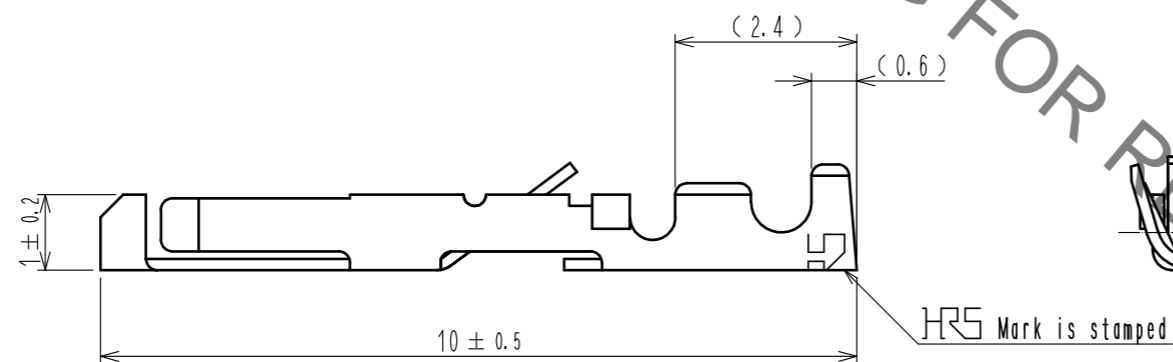
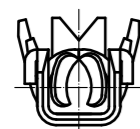
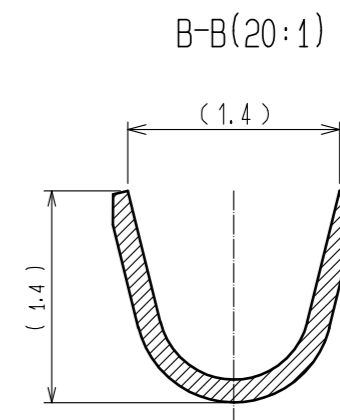
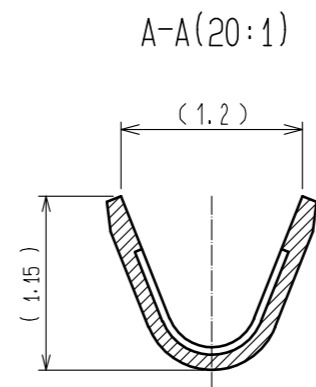
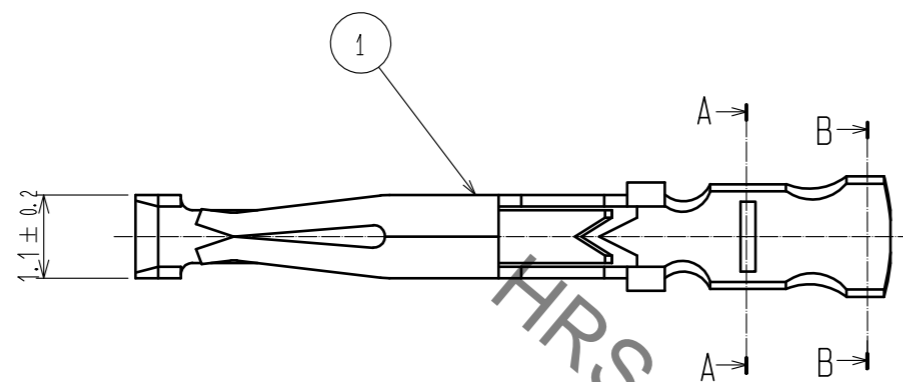


Jun.1.2021 Copyright 2021 HIROSE ELECTRIC CO., LTD. All Rights Reserved.
 In case of consideration for using Automotive equipment / device which demand high reliability, kindly contact our sales window correspondents.



HRS DRAWING FOR REFERENCE

- Notes) 1. Applicable wire size : AWG #26~#30.
 2. Hand crimping tool : HT802/HR12-SC-1(CL150-0400-3-00)

1	Phosphor bronze	Tin plating (100 pcs)						
NO.	MATERIAL	FINISH . REMARKS	NO.	MATERIAL	FINISH . REMARKS			
UNITS mm			SCALE 10: 1	COUNT 1	DESCRIPTION OF REVISIONS DIS-C-00000816	DESIGNED HK. NAMAI	CHECKED HY. KOBAYASHI	DATE 16. 02. 23
HRS HIROSE ELECTRIC CO., LTD.		APPROVED : EJ. KUNII	15. 10. 02	DRAWING NO. EDC-022995-00-00				
		CHECKED : EJ. KUNII	15. 10. 02	PART NO. HR12-SC-113				
		DESIGNED : SJ. SHIMIZU	15. 10. 01	CODE NO. CL112-0412-6-00				
		DRAWN : SJ. SHIMIZU	15. 10. 01					

Mouser Electronics

Authorized Distributor

Click to View Pricing, Inventory, Delivery & Lifecycle Information:

[Hirose Electric:](#)

[HR12-SC-113](#)