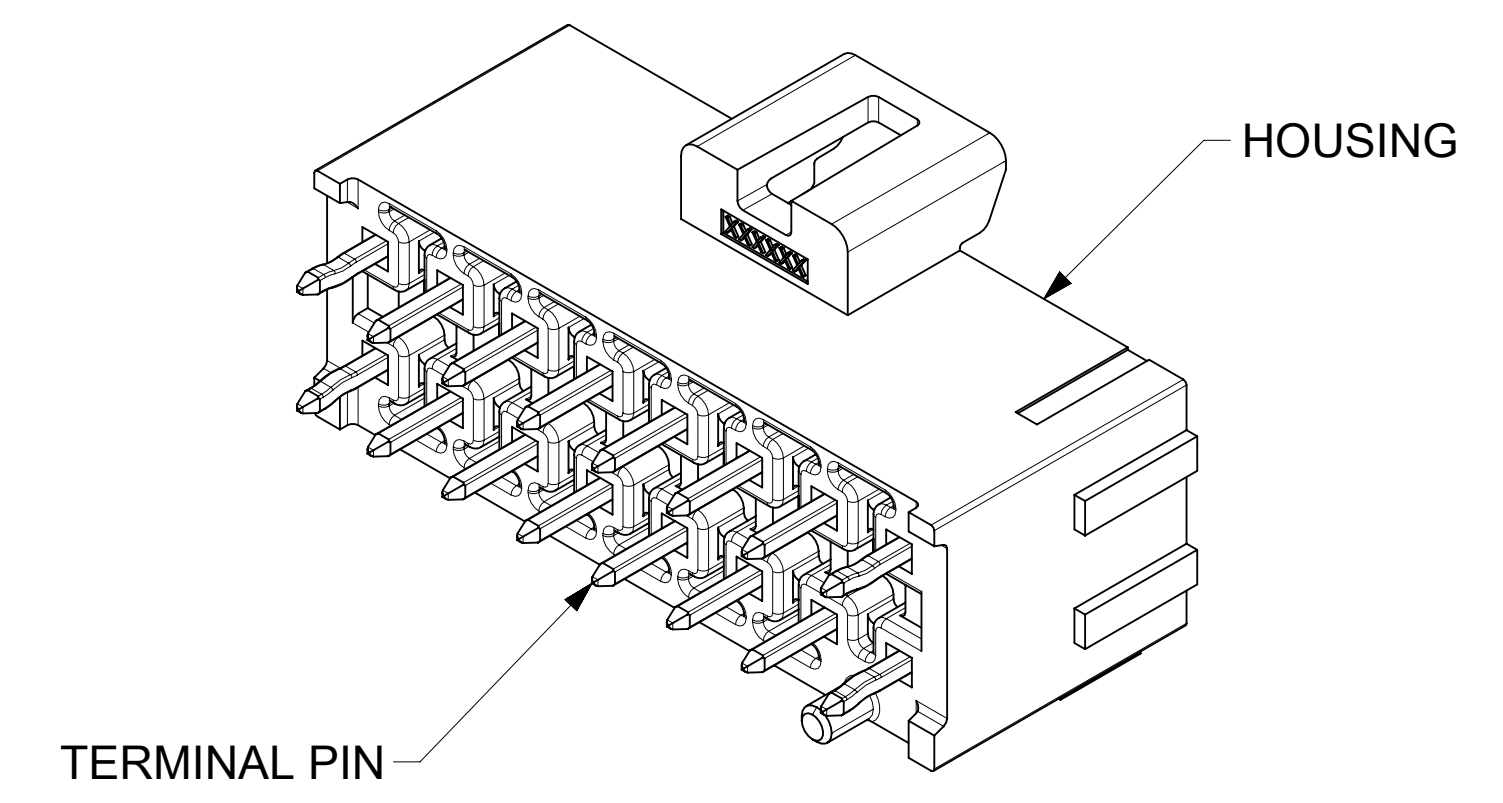
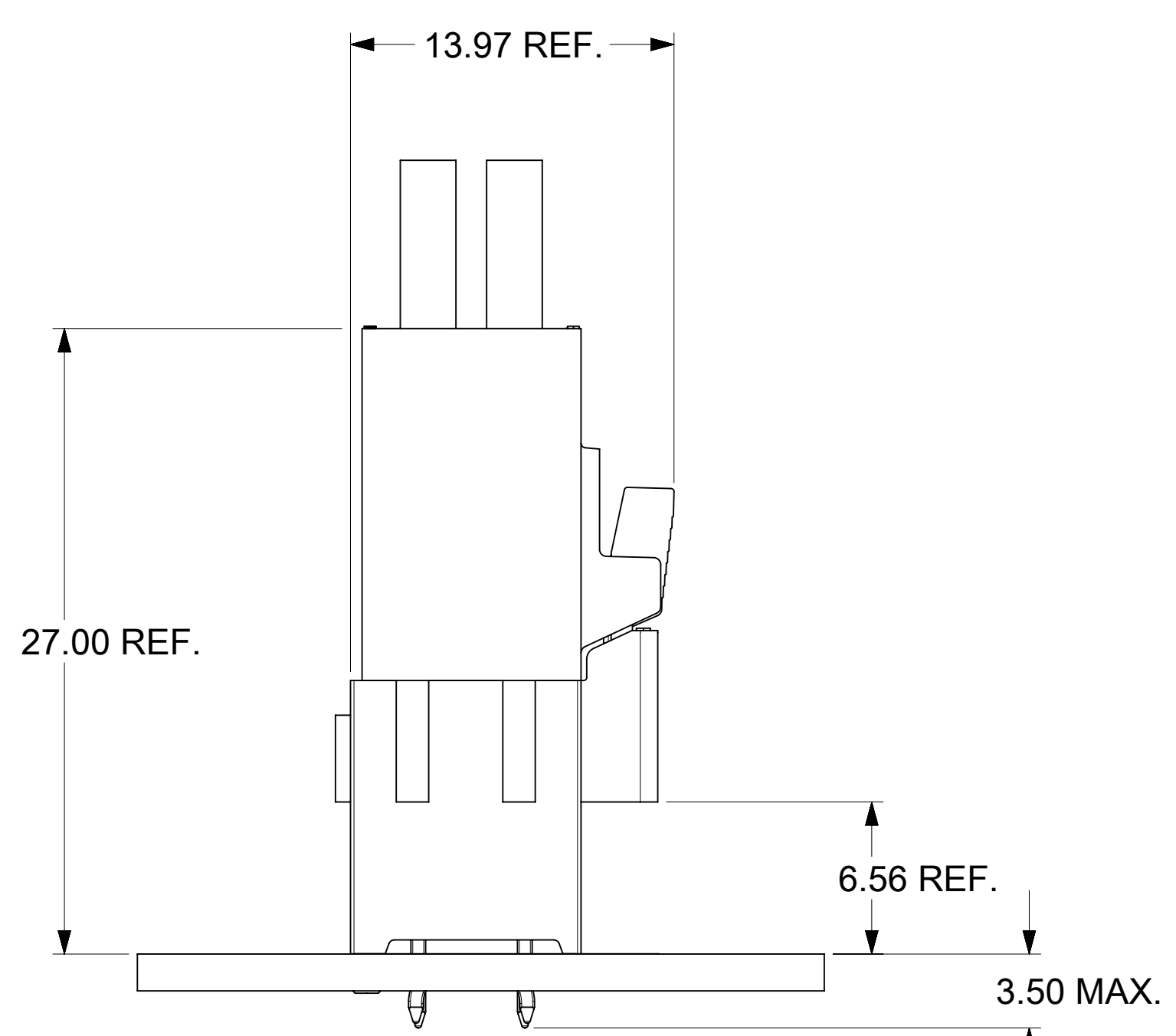
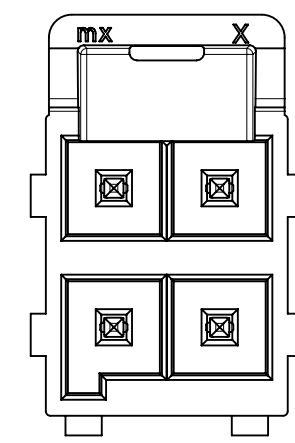


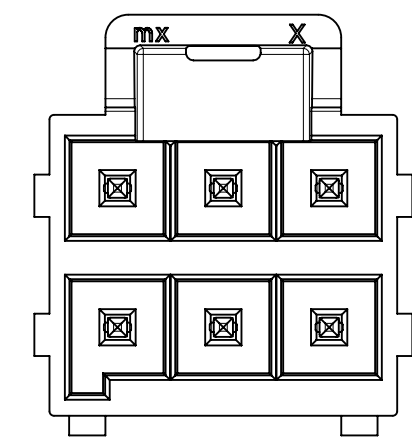
- NOTES:
- MATERIAL :
HOUSING
OPTION 1: LCP BLACK, UL94 V-0
OPTION 2: LCP NATURAL, UL94 V-0
TERMINAL: COPPER ALLOY
 - PLATING FINISH:
OPTION 1 - 1.52µm(60µin)-2.54µm(100µin) TIN OVER,
1.27µm(50µin)-2.54µm(100µin) NICKEL OVERALL,
OPTION 2 - 0.38µm(15µin) GOLD CONTACT AREA,
1.52µm(60µin)-2.54µm(100µin) TIN TAIL AREA OVER,
1.27µm(50µin)-2.54µm(100µin) NICKEL OVERALL.
OPTION 3 - 0.76µm(30µin) GOLD CONTACT AREA,
1.52µm(60µin)-2.54µm(100µin) TIN TAIL AREA OVER,
1.27µm(50µin)-2.54µm(100µin) NICKEL OVERALL.
 - PACKAGE SPECIFICATION REFER TO CHART IN SHEET 3.
 - PRODUCT SPECIFICATION PS-172323-0001.
 - PART MATES WITH MOLEX RECEPTACLE HOUSING 172258 AND 172262.
 - PART CONFORMS TO CLASS "C" REQUIREMENTS OF SPECIFICATION PS-45499-002 WITH 0.13 MM MAXIMUM FLASH ALLOWED IN CORE HOLES AND FRONT SURFACE.
 - DISCOLORATION IN THE BANDOLIER AREA OF THE PIN IS INHERENT TO THE PLATING PROCESS AND IS DUE TO THE MASKING EFFECT OF THE CARRIER. THIS DISCOLORATION IS IN A NON-FUNCTIONAL AREA OF THE PIN AND WILL NOT AFFECT THE PERFORMANCE OF THE HEADER ASSEMBLY.
 - APPLICATION SPECIFICATION: AS-172323-0001



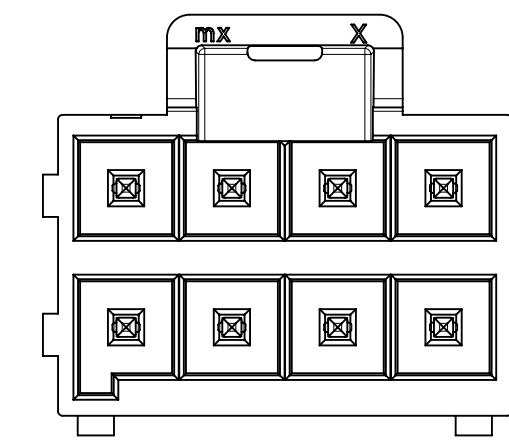
FUNCTIONAL SYMBOLS	THIS DRAWING CONTAINS INFORMATION THAT IS PROPRIETARY TO MOLEX ELECTRONIC TECHNOLOGIES, LLC AND SHOULD NOT BE USED WITHOUT WRITTEN PERMISSION		
	DIMENSION UNITS	SCALE	CURRENT REV DESC:
$F_A = 0$	mm	4:1	
$F_C = 0$	GENERAL TOLERANCES (UNLESS SPECIFIED)		
$F_D = 0$	ANGULAR TOL ± °		
DIVISIONAL SYMBOLS	4 PLACES	±	
	3 PLACES	±	
	2 PLACES	± 0.25	
	1 PLACE	± 0.5	
	0 PLACES	±	
DRAFT WHERE APPLICABLE MUST REMAIN WITHIN DIMENSIONS		THIRD ANGLE PROJECTION	DRAWING SERIES
			D-SIZE 172298
DOCUMENT NUMBER		DOC TYPE	DOC PART
SD-172298-1000		PSD	000
REVISION		REVISION	
D1		D1	
MATERIAL NUMBER		CUSTOMER	
GENERAL MARKET		SHEET NUMBER	
1 OF 3		1 OF 3	



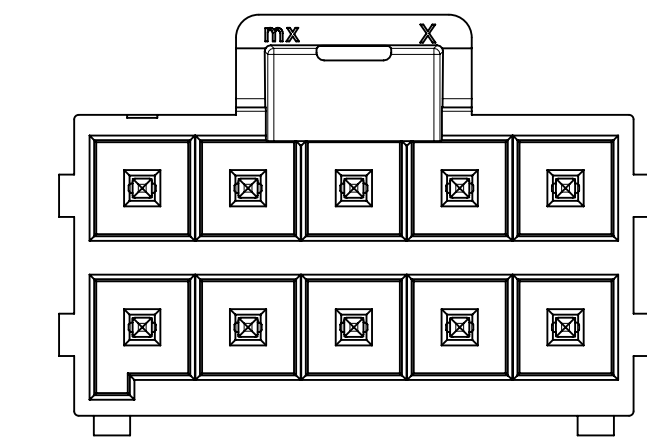
4 CKT



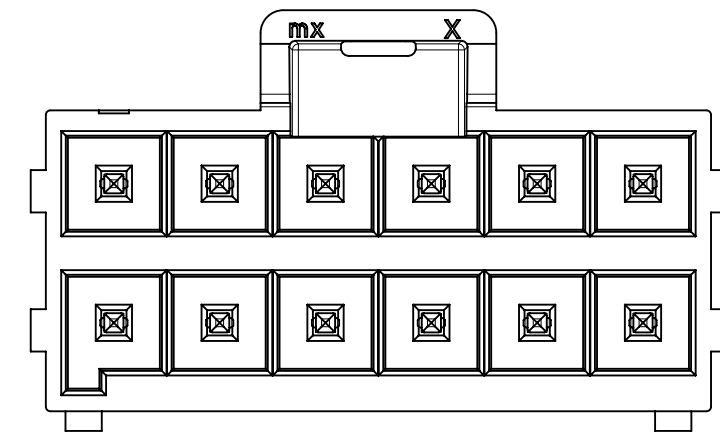
6 CKT



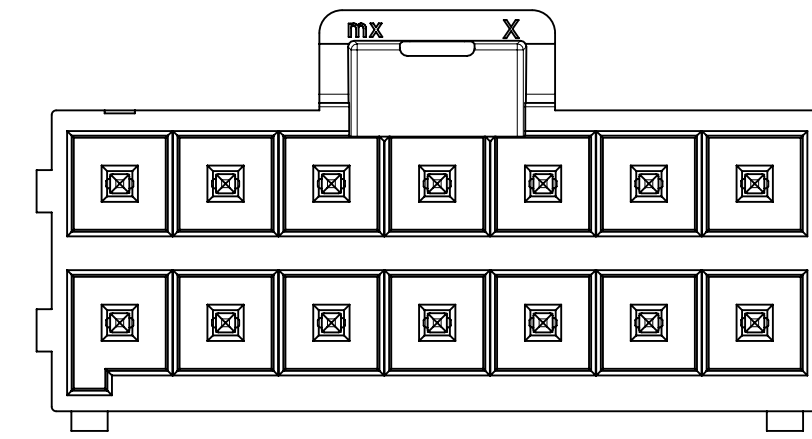
8 CKT



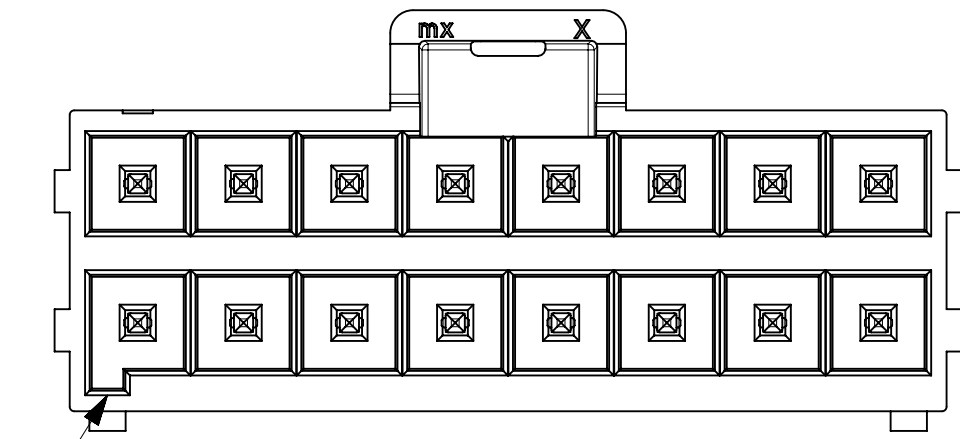
10 CKT



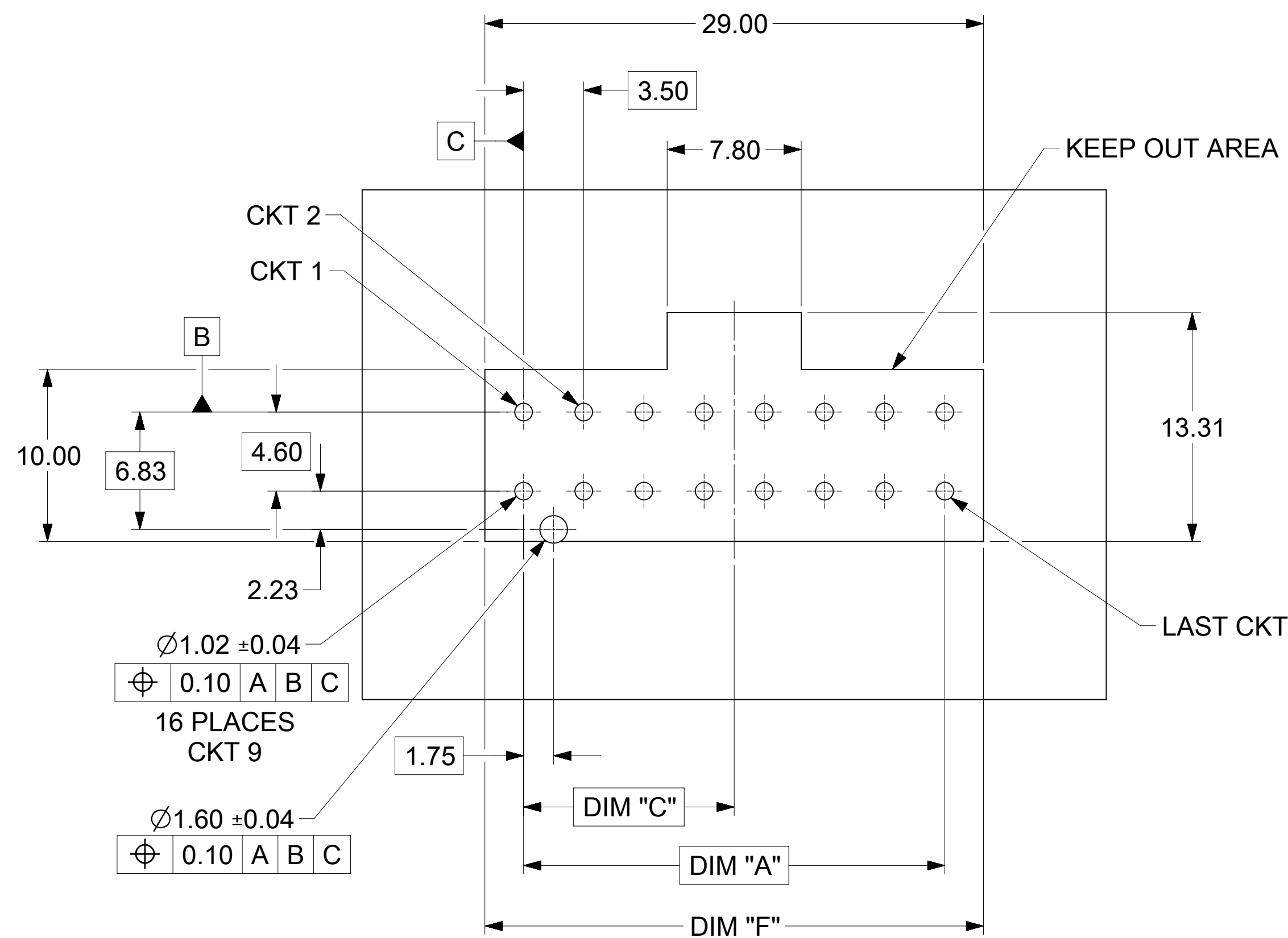
12 CKT



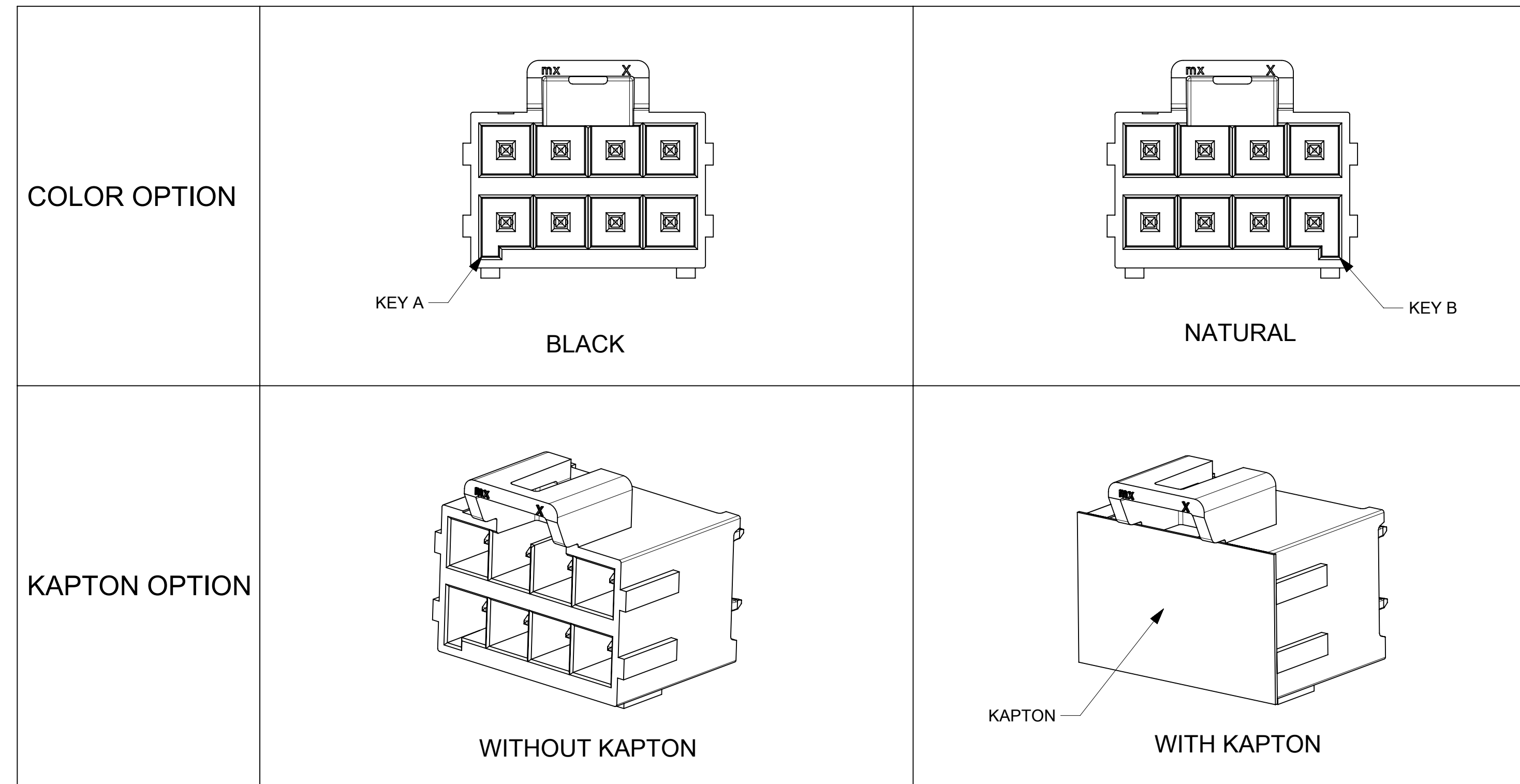
14 CKT



16 CKT



NOTE: DATUM -A- IS ON PCB COMPONENT SIDE



FUNCTIONAL SYMBOLS FA = 0 FC = 0 FD = 0	THIS DRAWING CONTAINS INFORMATION THAT IS PROPRIETARY TO MOLEX ELECTRONIC TECHNOLOGIES, LLC AND SHOULD NOT BE USED WITHOUT WRITTEN PERMISSION		CURRENT REV DESC:	
	DIMENSION UNITS mm	SCALE 4:1		
DIVISIONAL SYMBOLS	GENERAL TOLERANCES (UNLESS SPECIFIED)		EC NO: 693485	
	ANGULAR TOL	± °	DRWN: GLLI	2022/01/21
	4 PLACES	±	CHK'D: XQZHANG	2022/01/26
	3 PLACES	±	APPR: XQZHANG	2022/01/26
	2 PLACES	± 0.25	INITIAL REVISION:	
1 PLACE	± 0.5	DRWN: DROSCA	2014/03/04	
0 PLACES	±	APPR: JCOMERCI	2014/04/24	
DRAFT WHERE APPLICABLE MUST REMAIN WITHIN DIMENSIONS		THIRD ANGLE PROJECTION	DRAWING D-SIZE	SERIES 172298
DOCUMENT STATUS P1		RELEASE DATE 2022/01/26 13:35:15	DOCUMENT NUMBER SD-172298-1000	
			DOC TYPE PSD	DOC PART 000
			REVISION D1	
			SHEET NUMBER 2 OF 3	
			GENERAL MARKET	

Table with columns: PART NO., KAPTON OPTION, CIRCUIT SIZE, KEY OPTION, DIM A, DIM F, DIM C, COLOR, PACKAGING SPEC. Title: TIN PLATING

Table with columns: PART NO., KAPTON OPTION, CIRCUIT SIZE, KEY OPTION, DIM A, DIM F, DIM C, COLOR, PACKAGING SPEC. Title: 15 MICROINCH GOLD PLATING

Table with columns: PART NO., KAPTON OPTION, CIRCUIT SIZE, KEY OPTION, DIM A, DIM F, DIM C, COLOR, PACKAGING SPEC. Title: 30 MICROINCH GOLD PLATING

Technical drawing content area including dimension lines, callouts, and functional symbols.

Technical drawing header and metadata including functional symbols, dimension units, scale, current rev desc, and drawing title 'ULTRA-FIT VERT HEADER 4-16 CKTS DUAL ROW KINKED PINS'.