



EOZ
SOLUTIONS & COMPONENTS



DJET Ø10mm Pushbutton

Recommended for outdoor applications, military and avionics equipment, telecommunications, medical equipment, power supplies.

The professional toggle and pushbutton switches are available in one or two pole version. The switches are IP 67 front sealed or IP 65 with fitted silicone cap.

Toggle and pushbuttons switches of the DJET series are available in two sizes and fit in to front panel mounting hole of 10 mm dia.

MOUNTING

The switches are mounted by pushing them through the mounting hole in the front panel. They are fixed with a fixing nut.

❑ Switching system

Positive snap-action

MATERIAL

❑ Material of contact

Gold contacts: Gold/gold plated brass contacts

Silver contacts: Solid silver/silver-plated contacts

MECHANICAL CHARACTERISTICS

❑ Front panel thickness

Min. 1.2 mm

❑ Terminals

Gold contacts: Gold plated brass

Silver contacts: Silver plated brass

❑ Tightening torque

Rear nut 125 Ncm

Do not tighten by means of top nut!



ELECTRICAL CHARACTERISTICS

❑ Operating voltage-current

10 V, 50 mA minimum (silver contacts)

10 mV, 100 µA (gold contacts)

❑ Isolation resistance

>100 000 MΩ at 500 VDC

❑ Contact resistance

<10 mΩ

❑ Electrical life

100 000 operations

❑ Switch rating

Resistive circuit

| | | | | | |
|---------|---------|---------|--------|--------|--------|
| Voltage | 220 VAC | 110 VAC | 48 VDC | 24 VDC | 12 VDC |
|---------|---------|---------|--------|--------|--------|

| | | | | | |
|---------|-------|-------|-----|--------|-------|
| Current | 1.5 A | 2.5 A | 1 A | 2.25 A | 4.5 A |
|---------|-------|-------|-----|--------|-------|

❑ Inductive circuit

50 % of above values

❑ Electric strength

1000 Vrms, 50 Hz between terminals on the same pole

2000 Vrms, 50 Hz between all terminals connected

together and ground

2000 Vrms, 50 Hz between terminals of adjacent poles

ENVIRONMENTAL CONDITIONS

❑ Storage temperature

-40 °C ... +85 °C

❑ Operating temperature

-40 °C ... +85 °C

❑ Protection degree

IP 67 (sealed 10 mm dia. version only)

IP 65 with protective cap

❑ Shock resistance

100 g, as per IEC 60512-4

❑ Resistance to vibrations

10 g, 10 ... 2000 Hz, 10 cycles, as per IEC 60512-4

❑ Damp heat

56 days (Gold contact versions only)

EOZ S.A.S – 5, rue Henri François – F-77330 OZOIR-LA-FERRIERE

Téléphone : +33 1 81 14 49 49 – Télécopie : +33 1 81 14 49 52

Capital 200 000 € - SIRET 529 137 531 00016 RCS Melun

APE-NAF 2733Z – TVA FR39529137531

www.eozonline.com

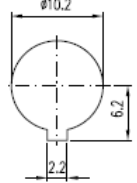


DJET Ø10mm Pushbutton

| STANDARD PART NUMBERS | | Switching action | Contact matériel | Contact | Typ-Nr | Drawing dimensions |
|---|-----------------|------------------|------------------|--------------------|--------------------|--------------------|
| Front ring | | | | | | |
| Pushbutton Ø10mm IP67 Front sealing | Metal chrome | MA / Mo | Gold (Au) | 2 C | 18.17253.22 | 1 |
| | | | Silver (Ag) | 2 C | 18.17283.22 | 1 |
| | Metal mat-black | MA / Mo | Gold (Au) | 2 C | 18.17253.30 | 1 |
| | | | | 1 C | 17.17252.30 | 2 |
| Metal Mat-chrome | MA / Mo | Gold (Au) | 1 C | 17.17252.22 | 2 | |
| | | Silver (Ag) | 1 C | 17.17282.22 | 2 | |
| Pushbutton Ø10mm | Metal chrome | MA / Mo | Gold (Au) | 1 C | 17.17552.21 | 3 |
| | | | | 2 C | 18.17563.21 | 4 |
| | | | Silver (Ag) | 2 C | 08.17513.21 | 4 |
| | Metal mat-black | MA / Mo | Gold (Au) | 1 C | 17.17551.30 | 5 |
| | | | | | 17.17552.30 | 3 |
| | | | | 2 C | 18.17563.30 | 4 |

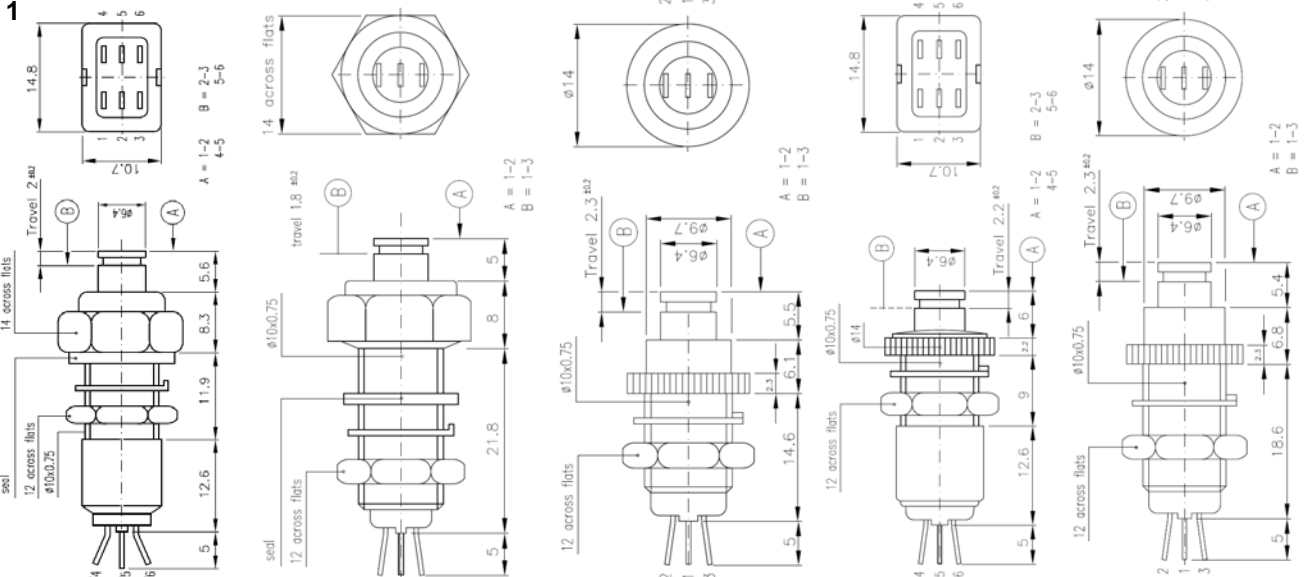
IMPLANTATION

FRONT PANEL MOUNTING HOLE:

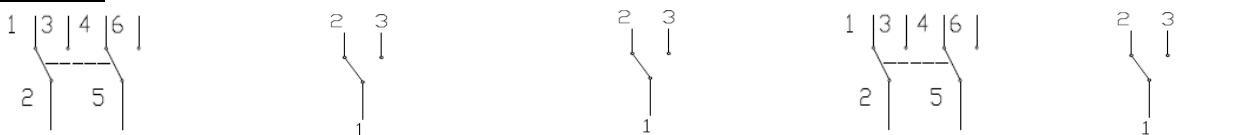


Switching action: Maintained initial position and in momentary actuation
Soldering terminals C= changeover

DRAWING DIMENSION



CONNECTION



Contact us at :

Email : contact@eozonline.com site: www.eozonline.com