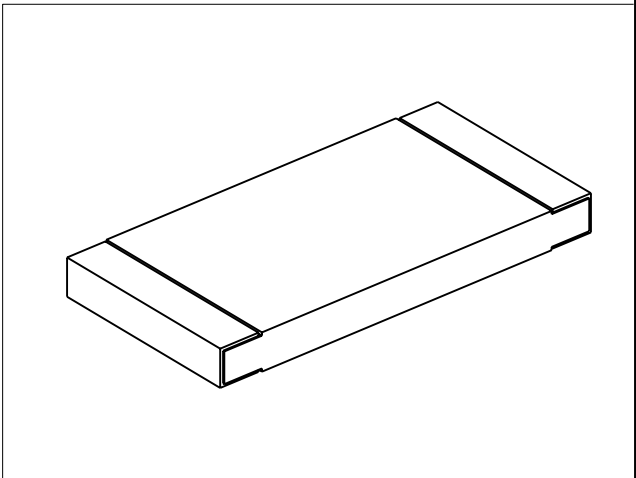


LOC	DIST	REVISIONS			
P	LTR	DESCRIPTION	DATE	DWN	APVD
E	B	BA1	REVISED PER ECO-11-005150	28MAR2011	RK HMR



FOR FURTHER INFORMATION SEE DATA SHEET FOR
3520 SERIES-SMD POWER RESISTORS

RoHS Compliant



2008

RELEASED FOR PUBLICATION

ALL RIGHTS RESERVED.

THIS DRAWING IS UNPUBLISHED.

BY -

© COPYRIGHT 2008

DIMENSIONS: mm	DWN	SUBHASH.M	01-DEC-08	MATERIAL	-	FINISH	-
	CHK	PRAKASH.S	01-DEC-08	 TE Connectivity			
TOLERANCES UNLESS OTHERWISE SPECIFIED:	APVD	STEPHEN.P	01-DEC-08				
	0 PLC	±0.2	PRODUCT SPEC	SIZE	CAGE CODE	DRAWING NO	RESTRICTED TO
1 PLC	±0.1	-	A 4	00779	©-1622820	-	
2 PLC	±	APPLICATION SPEC	SCALE	10:1	SHEET	1 OF 1	REV
3 PLC	±	-	CUSTOMER DRAWING	BA1			
4 PLC	±	WEIGHT					
ANGLES	±5°	