

TV06R (D38999/26) – Crimp, Metal CTV06R (D38999/26) – Crimp, Composite



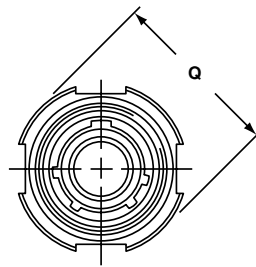
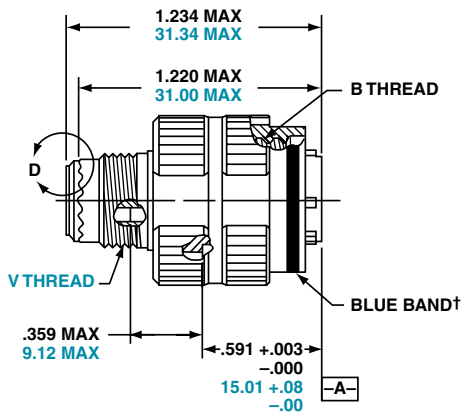
Straight Plug

PART

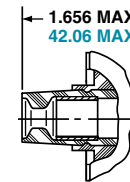
To complete, see how to order pages 25-27.

| Connector Type | Shell Style | Service Class | Shell Size & Insert Arrg | Contact Type | Alternate Position | Special Variations |
|----------------|-------------|---------------|--------------------------|--------------|--------------------|--------------------|
| TV | 06 | RW | 9-35 | P | B | (453) |
| TVS | 06 | RK | X-X | X | X | (XXX) |
| TVS | 06 | RF | X-X | X | X | (XXX) |
| TVS | 06 | RS | X-X | X | X | (XXX) |
| CTV | 06 | RW | X-X | X | X | (XXX) |
| CTVS | 06 | RF | X-X | X | X | (XXX) |
| D38999/ | 26 | X | X-X | X | X | NA |

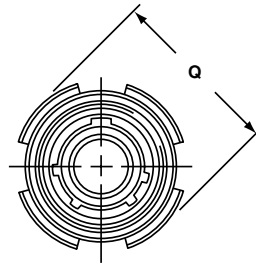
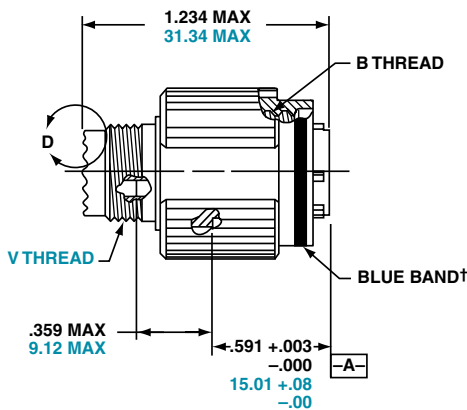
METAL



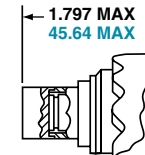
VIEW D
FOR SIZE 8 COAXIAL ONLY,
RELATIVE TO -A-



COMPOSITE



VIEW D
FOR SIZE 8 TWINAX ONLY,
RELATIVE TO -A-



† Blue band indicates rear release contact retention system

Inches

| Shell Size | MS Shell Size Code | B Thread 0.1P-0.3L-TS-2B (Plated) | Q Dia. Max. |
|------------|--------------------|-----------------------------------|-------------|
| 9 | A | .6250 | .858 |
| 11 | B | .7500 | .984 |
| 13 | C | .8750 | 1.157 |
| 15 | D | 1.0000 | 1.280 |
| 17 | E | 1.1875 | 1.406 |
| 19 | F | 1.2500 | 1.516 |
| 21 | G | 1.3750 | 1.642 |
| 23 | H | 1.5000 | 1.768 |
| 25 | J | 1.6250 | 1.890 |

All dimensions for reference only.

Millimeters

| Shell Size | MS Shell Size Code | Q Max. | V Thread Metric |
|------------|--------------------|--------|-----------------|
| 9 | A | 21.8 | M12X1-6g |
| 11 | B | 25.0 | M15X1-6g |
| 13 | C | 29.4 | M18X1-6g |
| 15 | D | 32.5 | M22X1-6g |
| 17 | E | 35.7 | M25X1-6g |
| 19 | F | 38.5 | M28X1-6g |
| 21 | G | 41.7 | M31X1-6g |
| 23 | H | 44.9 | M34X1-6g |
| 25 | J | 48.0 | M37X1-6g |

Mouser Electronics

Authorized Distributor

Click to View Pricing, Inventory, Delivery & Lifecycle Information:

Amphenol:

[D38999/26JA98SA](#) [D38999/26ME99PN](#) [D38999/26FD19BN](#) [D38999/26FA98PE](#) [D38999/26FG41PA](#)
[D38999/26JA35SN](#) [D38999/26JA98PN](#) [D38999/26JB35PN](#) [D38999/26JB5SN](#) [D38999/26JB98PN](#)
[D38999/26JB98SN](#) [D38999/26JC35PA](#) [D38999/26JC35SA](#) [D38999/26JC4PN](#) [D38999/26JC4SN](#) [D38999/26JC8SN](#)
[D38999/26JC98SN](#) [D38999/26JD19PN](#) [D38999/26JD35PN](#) [D38999/26JD35SA](#) [D38999/26JD35SN](#)
[D38999/26JD5PN](#) [D38999/26JD5SN](#) [D38999/26JD97PN](#) [D38999/26JE26PN](#) [D38999/26JE35PA](#) [D38999/26JE35PN](#)
[D38999/26JE35SN](#) [D38999/26JE6SN](#) [D38999/26JE8PN](#) [D38999/26JF35PN](#) [D38999/26JF35SN](#)
[D38999/26JG16SN](#) [D38999/26JG35PA](#) [D38999/26JG35SN](#) [D38999/26JH35PN](#) [D38999/26JH35SN](#)
[D38999/26JH53PN](#) [D38999/26JH55PN](#) [D38999/26JJ35PA](#) [D38999/26JJ35PN](#) [D38999/26JJ61PN](#)
[D38999/26MA35PA](#) [D38999/26MA35PN](#) [D38999/26MA35SA](#) [D38999/26MA35SB](#) [D38999/26MA35SE](#)
[D38999/26MA35SN](#) [D38999/26MA98PN](#) [D38999/26MA98SA](#) [D38999/26MA98SB](#) [D38999/26MB2BN](#)
[D38999/26MB2PN](#) [D38999/26MB35SC](#) [D38999/26MB5SN](#) [D38999/26MB98SA](#) [D38999/26MB98SC](#)
[D38999/26MB99SN](#) [D38999/26MC35SA](#) [D38999/26MC35SN](#) [D38999/26MC8SN](#) [D38999/26MC98SN](#)
[D38999/26MD15SN](#) [D38999/26MD18SN](#) [D38999/26MD19PN](#) [D38999/26MD19SN](#) [D38999/26MD35PC](#)
[D38999/26MD35PN](#) [D38999/26MD35SN](#) [D38999/26MD5PN](#) [D38999/26MD97SN](#) [D38999/26ME26SN](#)
[D38999/26ME35PA](#) [D38999/26ME35PB](#) [D38999/26ME35PC](#) [D38999/26ME35PN](#) [D38999/26ME35SA](#)
[D38999/26ME6PN](#) [D38999/26ME6SC](#) [D38999/26ME8BN](#) [D38999/26ME8PN](#) [D38999/26ME99SN](#)
[D38999/26MF35PA](#) [D38999/26MF35SN](#) [D38999/26MG35PA](#) [D38999/26MG35PB](#) [D38999/26MG35PN](#)
[D38999/26MG41PN](#) [D38999/26MH35PA](#) [D38999/26MH35PN](#) [D38999/26MH35SB](#) [D38999/26MH35SN](#)
[D38999/26MH55PN](#) [D38999/26MH55SN](#) [D38999/26MJ19AN](#) [D38999/26MJ35SE](#) [D38999/26MJ43PN](#)
[D38999/26MJ4PA](#) [D38999/26MJ4PN](#) [D38999/26SA35SC](#)