

HONEYWELL
PART NUMBER
311SM6-H4
PRODUCT CODE
TZA1311

REV	DOCUMENT	CHANGED BY	CHECK
3	0038113	PRS 12JUN08	BLR

B

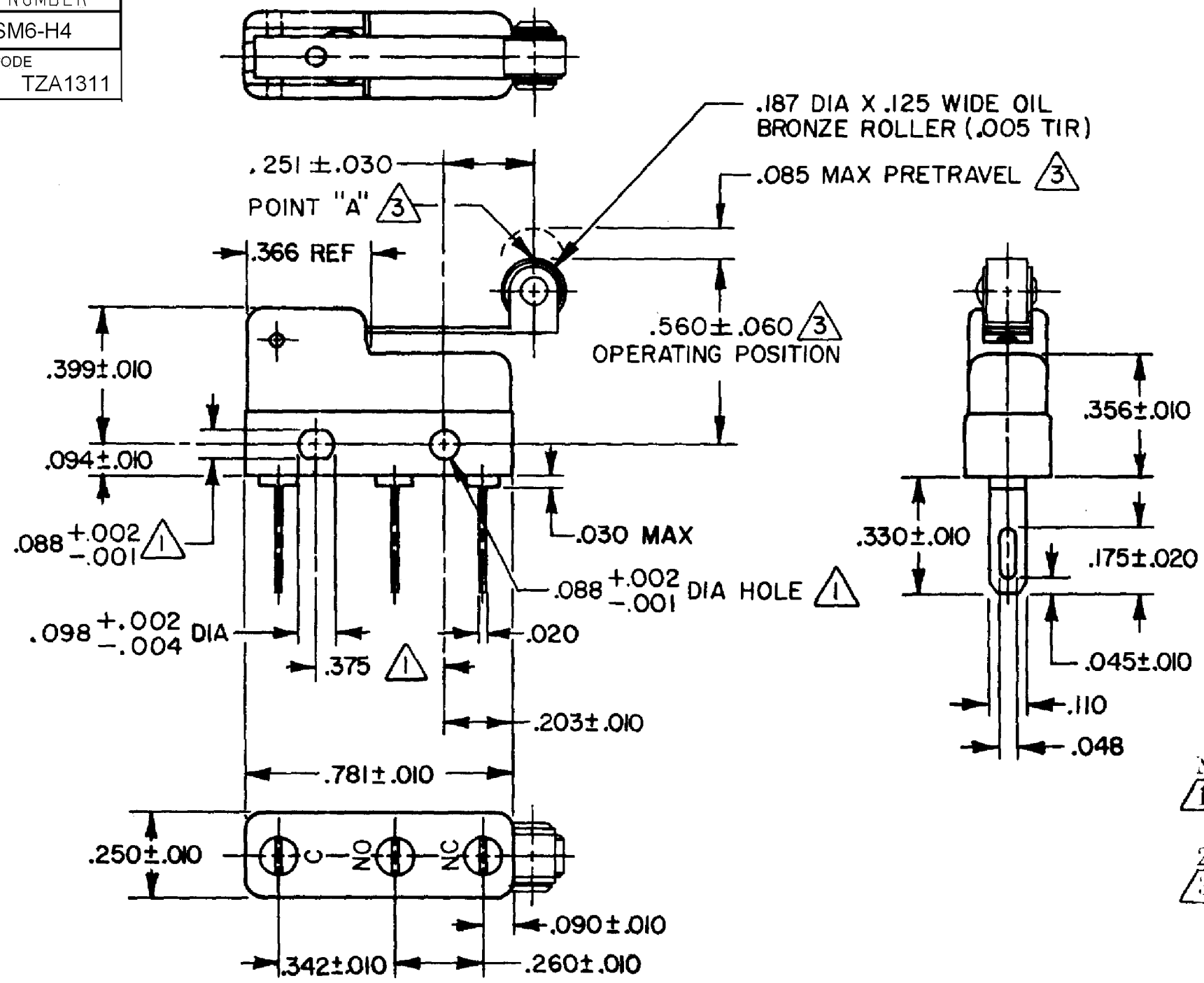
B

A

A

A

A



NOTES

- ① MOUNTING HOLES WILL ACCEPT PINS OR SCREWS OF $.087$ MAX DIA ON $\pm .002$ CENTERS
- ② SWITCH WILL WITHSTAND TEMPERATURE OF 250°F
- ③ CHARACTERISTICS TAKEN AT POINT "A"

RELEASE NO.	PR - 16317
REPLACES	X88808-SM

CHARACTERISTICS (triangle 3 symbol)
OPERATING FORCE -- 40 GRAM MAX
RELEASE FORCE -- -- 7 GRAM MIN
DIFFERENTIAL TRAVEL -- -- .019 MAX
OVERTRAVEL -- -- -- .018 MIN

ELECTRICAL DATA		
CONTACT ARRANGEMENT SPDT		
30 VOLTS DC RATING		
	SEA LEVEL	50,000 FT
INDUCTIVE	3 AMP	2.5 AMP
RESISTIVE	5 AMP	5 AMP
MAXIMUM INRUSH 24 AMP		
APPROVALS	KEMA, CE	5A, 250V ~ T85 1E4
	UL, CSA	5A, 250 VAC

DESIGN UNITS: INCH	
TOLERANCES UNLESS NOTED:	
NO PLACE X ±	-
ONE PLACE .X ±	0.030
TWO PLACE .XX ±	0.015
THREE PLACE .XXX ±	0.005
FOUR PLACE .XXXX ±	-
ANGLES ±	-
THIRD ANGLE PROJECTION	

DRAWN	VK	05 NOV 07
CHECK	RJ	05 NOV 07
THIS DRAWING COVERS A PROPRIETARY ITEM AND IS THE PROPERTY OF HONEYWELL. THIS DRAWING IS NOT TO BE COPIED OR USED WITHOUT THE PERMISSION OF HONEYWELL.		
INTERPRET PER ANSI Y14.5M-1982 OTHER HONEYWELL ENGINEERING STANDARDS MAY APPLY		
RASTER		

Honeywell			
TITLE SWITCH - BASIC			
SIZE	TYPE	DRAWING NAME	REV
B	I	311SM6-H4	3
SCALE	-	WEIGHT .006 LB MAX	SHEET 1 OF 1