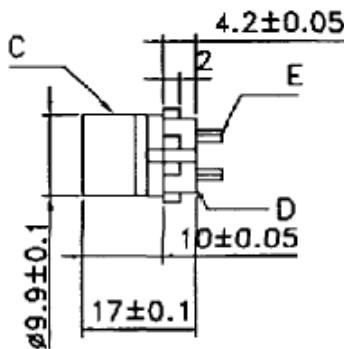
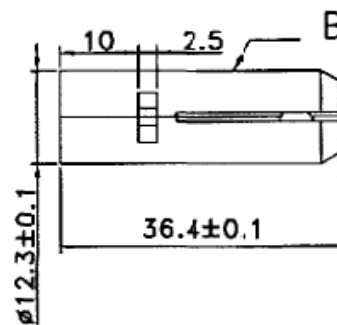
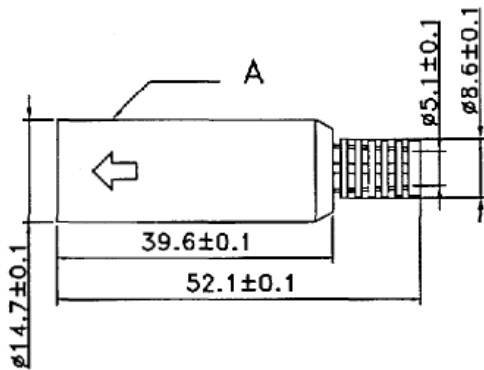


# Datasheet

## 4 Pole Female Miniature DIN Connector, MDN Series , 50 V ac/dc, 1A

RS Stock number [463-417](#)

Drawing (mm):



### Materials:

A.Boot:	PVC
B.Middle Hood:	ABS
C.Metal Part:	Copper, nickel plated
D.Insulator:	PBT or Nylon + 30% Fibre reinforced (UL94V-0)
E.Contact Material:	Brass compound or brass alloy

### Specifications:

Rating:	100V ac 1A
Insulation Resistance:	50M ohm Min.
Resistance:	50M ohm/500V DC
Dielectric:	500V ac/1 minute
Temp range:	-25 to +85
Applicable Wires:	AWG 28 to 30