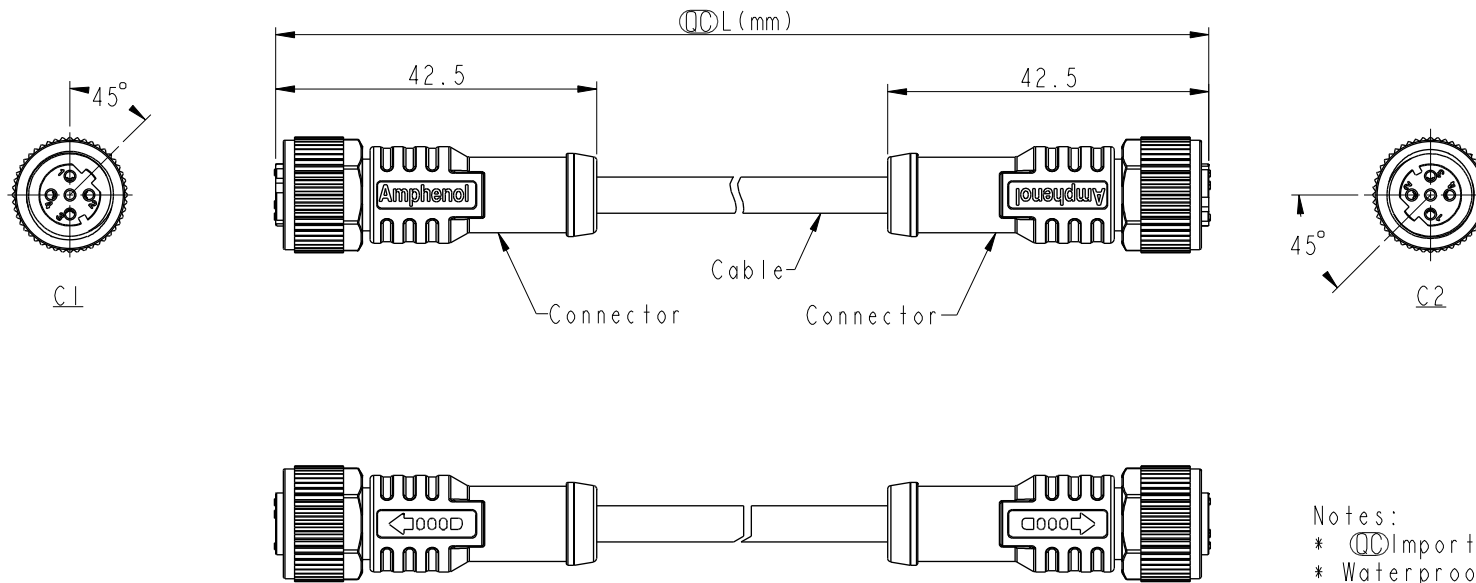


REV.	DESCRIPTION



- Notes:
- * \varnothing Important Dimension.
 - * Waterproof Rate: IP68, IP69K
 - * Connector: PU+GF, Black.
 - * Pin: Copper Alloy, Gold Plated.
 - * Screw Nut: Zinc Alloy, Nickel Plated.
 - * Outer Mold: PU, Black.
 - * Cable: (B) UL20549, PUR Jacket, Black.
(D) UL2517, PVC Jacket, Black.
 - * Rated Voltage: 4Pin 250V dc. or ac.
 - * Rated Current: 4Pin 4A
 - * Cable Length Tolerance: 0.5±20mm
01±40mm
02M~05M:±60mm
06M~10M:±100mm
11M~30M:±200mm
31M~99M:±500mm

UNIT:mm		TITLE	MI2 D-Code Double Ended		
TOLERANCE	± 0.5 mm	SCALE	1:2	SIZE	A4
REV.	A	WC-REV.	A.5	SHEET	1 OF 2
		QC	QC: Inspection item		

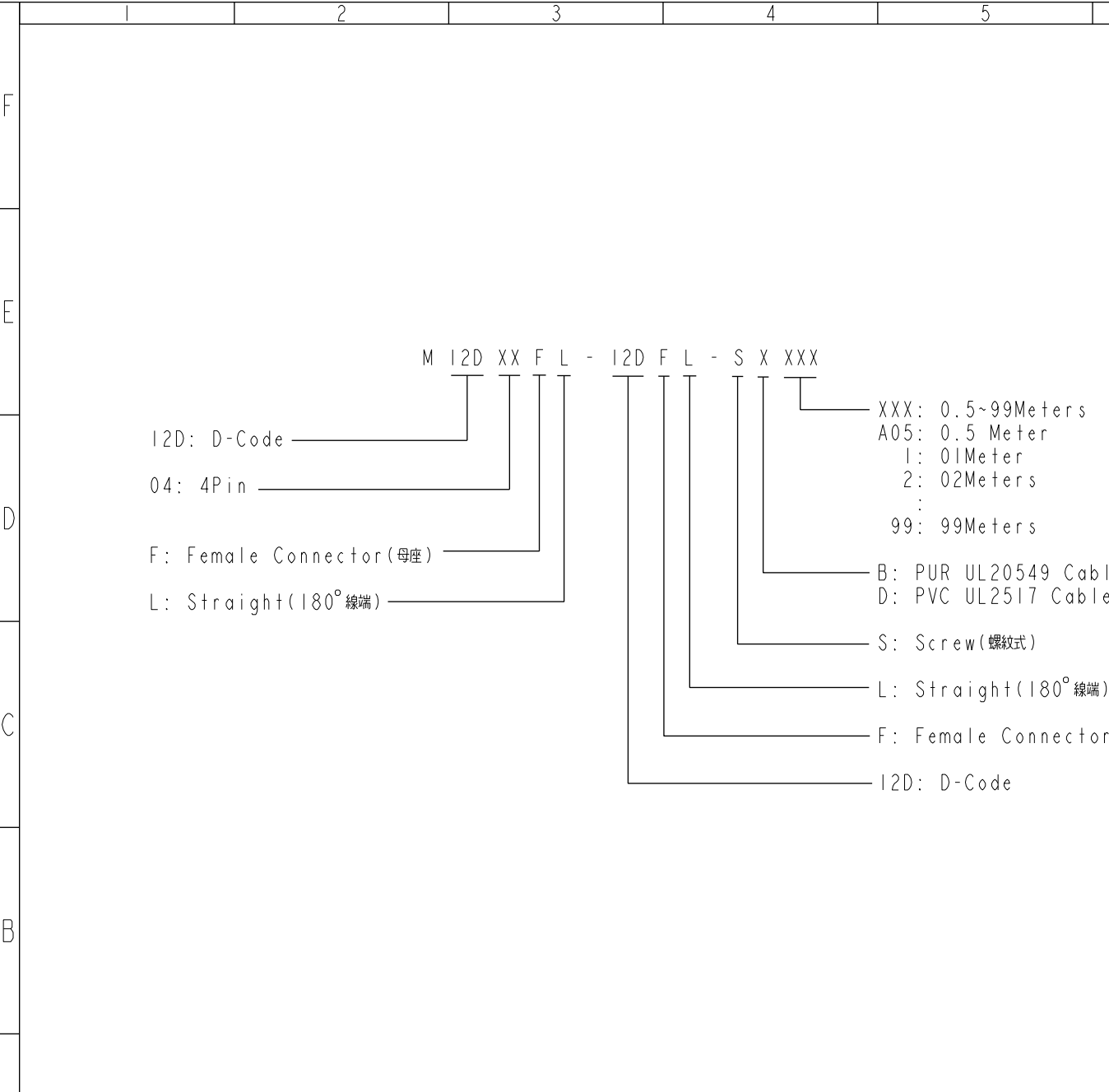
Amphenol LTW
安費諾亮泰企業股份有限公司

ITEM NO	DRAWN BY	DATE
	Ruru	2018-12-11
DWG NO	CHECKED BY	DATE
MI2DXXFL-12DFL-SXXXX	Rita	2018-12-11
CUSTOMER	APPROVED BY	DATE
ALTW	Max	2018-12-11

THIS DOCUMENT IS SUBJECT TO CHANGE WITHOUT NOTICE. IT IS CONFIDENTIAL AND A PROPERTY OF Amphenol LTW. DISCLOSURE TO THIRD PARTY HAS TO BE AUTHORIZED BY Amphenol LTW.

THIS DOCUMENT IS SUBJECT TO CHANGE WITHOUT NOTICE. IT IS CONFIDENTIAL AND A PROPERTY OF Amphenol LTW. DISCLOSURE TO THIRD PARTY HAS TO BE AUTHORIZED BY Amphenol LTW.

6		7		8	
4P	PVC	4.8	22	MI2D04FL-12DFL-SDXXX	
4P	PUR	4.0		MI2D04FL-12DFL-SBXXX	
Contacts	Cable Jacket	Cable OD	AWG	Item No.	



M 12D XX F L - 12D F L - S X XXX

- 12D: D-Code
- 04: 4Pin
- F: Female Connector(母座)
- L: Straight(180°線端)
- XXX: 0.5~99Meters
- A05: 0.5 Meter
- 1: 01Meter
- 2: 02Meters
- ...
- 99: 99Meters
- B: PUR UL20549 Cable,Black(PUR黑色外被線材)
- D: PVC UL2517 Cable,Black(PVC黑色外被線材)
- S: Screw(螺紋式)
- L: Straight(180°線端)
- F: Female Connector(母座)
- 12D: D-Code

Pin Out	5	--	
	4	Black	黑
Pin #	3	Blue	藍
	2	White	白
Wire	1	Brown	棕
	Pin # Wire		
C1 & C2			
	4P		
Pin Assignments Front View			

UNIT:mm		TITLE MI2 D-Code Double Ended	
TOLERANCE	± 0.5 mm	SCALE 1:2	SIZE A4
REV. A	WC-REV. A.5	SHEET 2	OF 2
QC: Inspection item			

Amphenol LTW
安費諾亮泰企業股份有限公司

ITEM NO	DRAWN BY	DATE
DWG NO MI2DXXXFL-12DFL-SXXXX	Ruru	2018-12-11
CUSTOMER ALTW	CHECKED BY Rita	DATE 2018-12-11
	APPROVED BY Max	DATE 2018-12-11

Mouser Electronics

Authorized Distributor

Click to View Pricing, Inventory, Delivery & Lifecycle Information:

Amphenol:

[M12D04FL-12DFL-SB002](#) [M12D04FL-12DFL-SDA05](#) [M12D04FL-12DFL-SD002](#) [M12D04FL-12DFL-SBA05](#)
[M12D04FL-12DFL-SB001](#) [M12D04FL-12DFL-SD001](#)