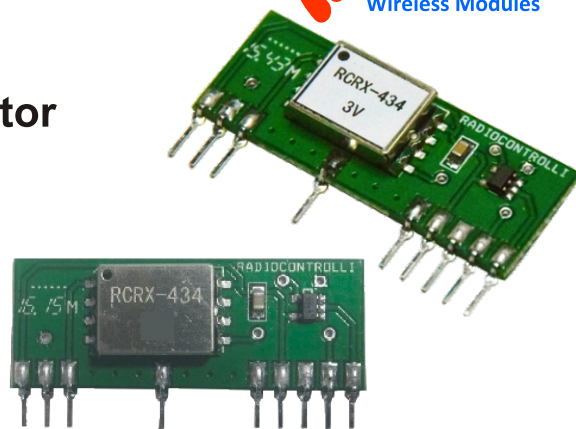


AM Superhet receiver with crystal oscillator 433.92MHz

RCBRX-434 is an AM superhet data receiver with PLL synthesizer and crystal oscillator. ASK/OOK modulation. Metallic shield. 3 Volt version. 5 Volt version.

On request is possible to customize the frequency.



Technical Characteristics

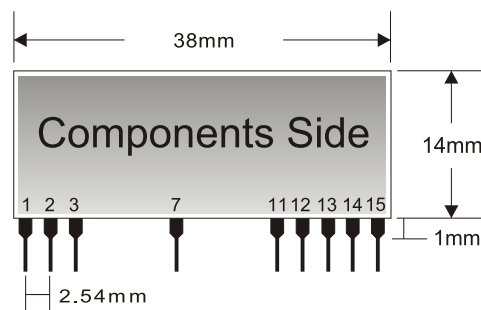
Characteristics	MIN	TYP	MAX	UNIT
V _{cc} Supply Voltage	3.0 / 4.4		3.6 / 5.0	Vdc
I _s Supply Current (RX mode)		5.5		mA
I _s Assorbimento Corrente (Shut down mode)		1		µA
S RF Sensitivity		-108		dBm
D Max Data Rate		10		Kbit/s
B RF Bandwidth 3dB		600		KHz
T Operating Temperature Range	-20		+80	°C

Pin Description

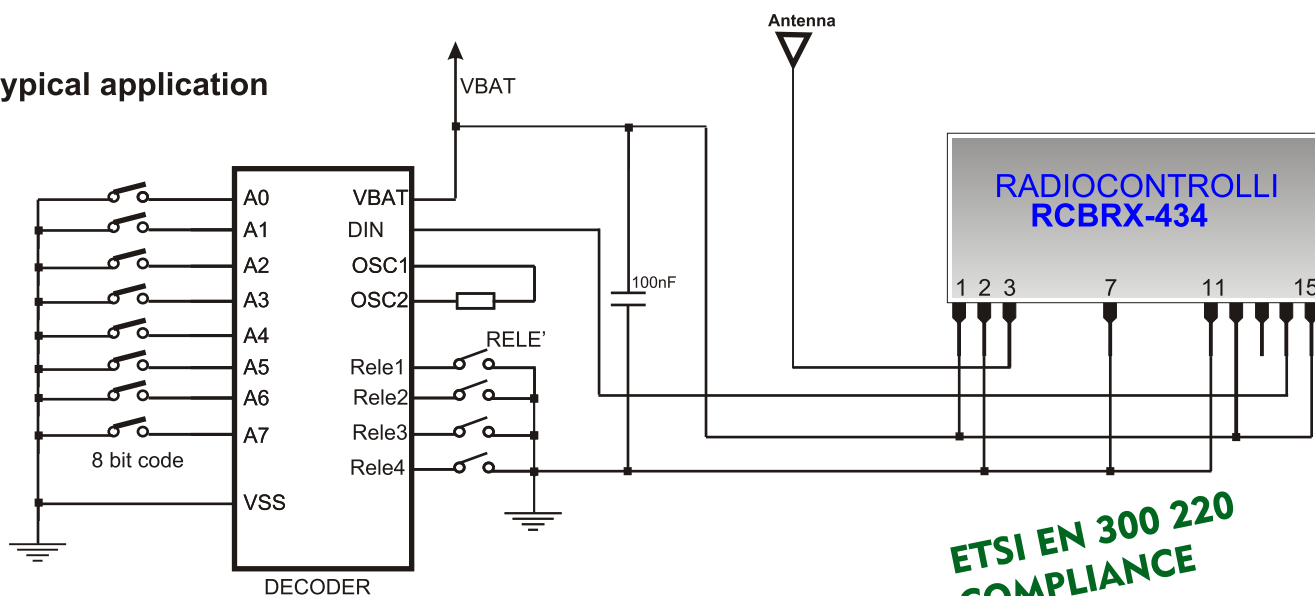
Pads	Name	Description
1	VCC	VCC
2	GND	Ground
3	IN	Antenna
7	GND	Ground
11	GND	Ground
12	VCC	VCC
13	-----	Not Used
14	OUT	Data Out
15	EN	Enable

EN = 0V ----> RX OFF
EN = 5V ----> RX ON

Mechanical dimensions



Typical application



**ETSI EN 300 220
COMPLIANCE**