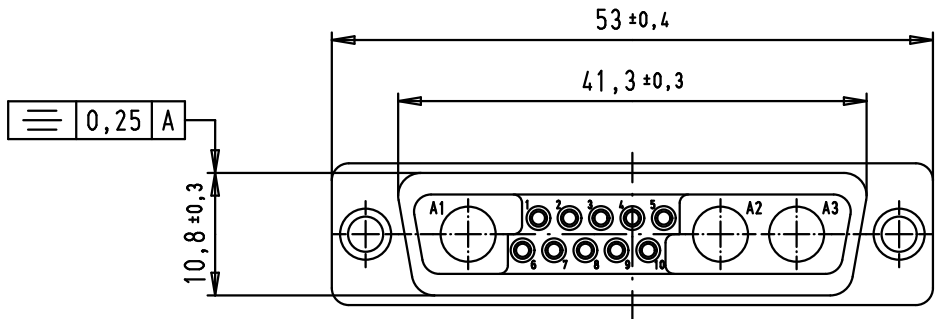
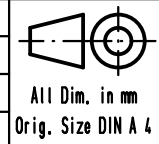


Solder bucket termination for AWG 20



09 69 311 7133	PL3
09 69 311 5133	S4
Part number	Performance level

	Mod.	Dot.	Name	Dat.	Name
Detail.				29/08/07	PK
Insp.					
Stand.					
	34402	29/08/07	PK	HARTING EURL F-95972 Paris	



All Dim. in mm  
Orig. Size DIN A 4



D-Sub, 13W3, male, straight, solder buckets, tin plated shell with dimples	Maßstab/ Scale 1,5:1
TB 09 69 311 X133	Blatt/ Page 1/1
Sub.	

# Mouser Electronics

Authorized Distributor

Click to View Pricing, Inventory, Delivery & Lifecycle Information:

[HARTING:](#)

[09693115133](#) [09693117133](#)