



RCA PHONO JACKS: KLP42X Series
Stacked RCA Phono Jack PCB Mount

Product Features

Audio Applications for Computers and Multimedia
Gold Plating Available Upon Request
Various Color and Stacking Options Available
CSA/NRTL Certified File No. LR78160

Performance Specifications

Materials and Finish

Housing

PBT Thermoplastic, UL94V-0 Rated

Terminals

Brass, Tin Plated

Ground Pin

Brass, Nickel Plated

Electrical Characteristics

Rated Current: 0.3A

Rated Voltage: 16V DC

Contact Resistance

50 milliohms Max.

Insulation Resistance

100 Megohms Min. at 500V DC

Dielectric Withstanding Voltage

500V AC RMS for 1 Minute

Mechanical Characteristics

Insertion Force

0.3kg - 5.0kg

Extraction Force

0.3kg - 5.0kg

Durability

1000 Mating Cycles Min.

Operating Temperature

-20°C to +60°C

2D Drawing	IGES	STEP	3D PDF
Solder Profile	CofC RoHS Compliant	CofC REACH Compliant	UL Plastic File
Certificate of Origin	Check Stock	Request a Sample	Send Us An Email

Generated Part Number

Part Number Builder

-
 Series Type Color Option

Series

KLP42X - Stacked RCA Phono Jack

Type

60 - Single Column, Double Row

Color Option

B/B - Black/Black

R/R - Red/Red

R/W - Red/White

W/B - White/Black

W/R - White/Red

W/W - White/Yellow

W/Y - White/White

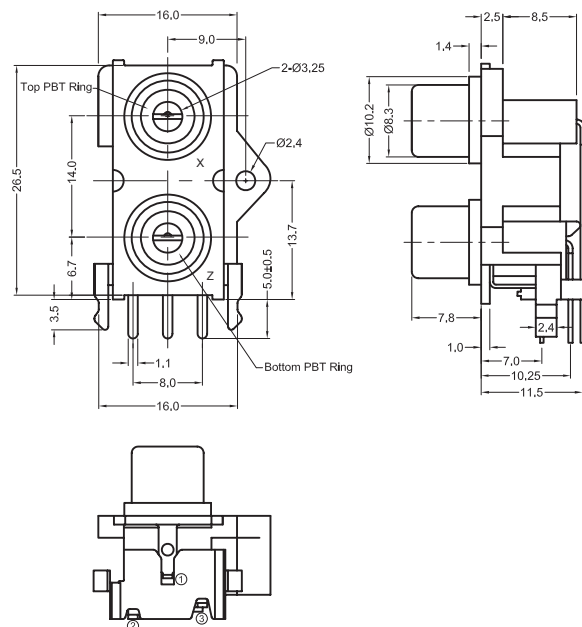
Y/Y - Yellow/Yellow

Color Layout - X/Z

Contact Kycon for other options

KLP42X-60

Dimensions in mm



Mouser Electronics

Authorized Distributor

Click to View Pricing, Inventory, Delivery & Lifecycle Information:

Kycon:

[KLP42X-61-BB/BB](#) [KLP42X-60-YY](#) [KLP42X-61-WW/RR](#) [KLP42X-60-B/B](#) [KLP42X-60-R/W](#) [KLP42X-60-R/R](#)
[KLP42X-61-RW/RW](#) [KLP42X-60-W/R](#) [KLP42X-60-W/W](#) [KLP42X-61-YY/YY](#) [KLP42X-61-YY/WW](#) [KLP42X-60S-W/R](#)
[KLP42X-61-WR/BB](#) [KLP42X-61-YW/YW](#) [KLP42X-60-W/B](#) [KLP42X-60-W/Y](#) [KLP42X-61-WW/WW](#) [KLP42X-61S-](#)
[WR/BB](#) [KLP42X-61-RR/WW](#) [KLP42X-61-WR/WR](#) [KLP42X-61-WB/R](#)