

Inline MIDI® Fuse Holder

RoHS



Specifications

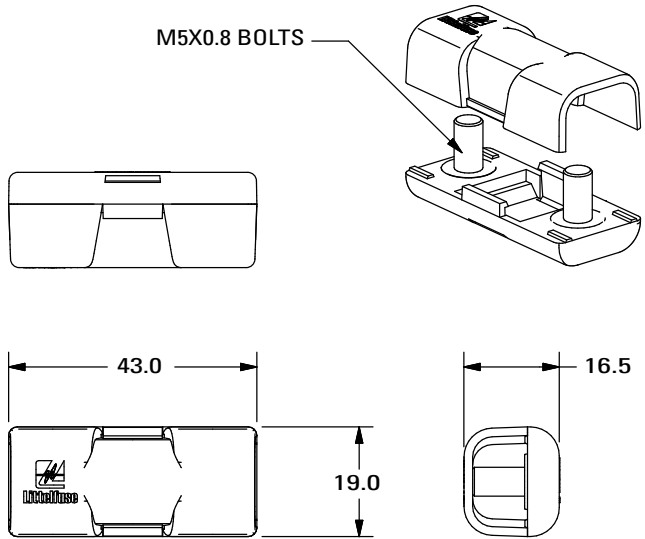
Max. Voltage Rating:	32 VDC
Max. Fuse Rating:	200A
Operating Temperature Range:	-40°C to +125°C
Max. Wire Size:	20mm ²
M5 Torque Rating:	5Nm
Base/Cover Material:	UL 94V-0 glass-filled nylon
M5 Bolt Material:	Zinc-plated steel
M5 Nuts:	Zinc-plated steel with nylock inserts

Description

The Inline MIDI® fuseholder is designed for use with bolt-down MIDI® style fuses. It may be installed directly inline with the cables with no mounting required.

The Inline MIDI® fuse holder can be used with heat shrink tubing for applications requiring more splash resistance. The curved design of the cover aids in prevention of tube-splitting during application.

Dimensions in mm



Part Number	Description
04980921GXM5	Assembly with hardware and cover installed
498921-2	Base only with hardware installed
498921-1	Cover-only

Mouser Electronics

Authorized Distributor

Click to View Pricing, Inventory, Delivery & Lifecycle Information:

[Littelfuse:](#)

[498921-2](#) [498921-1](#)