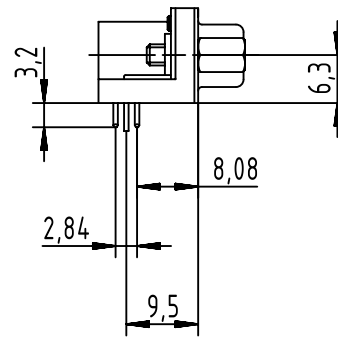
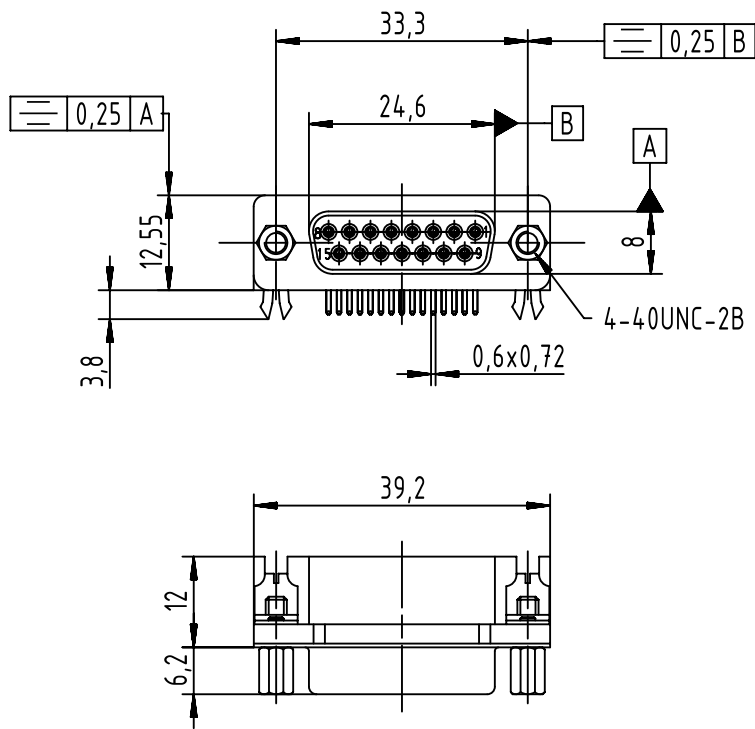
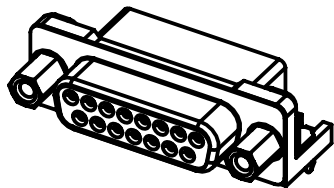
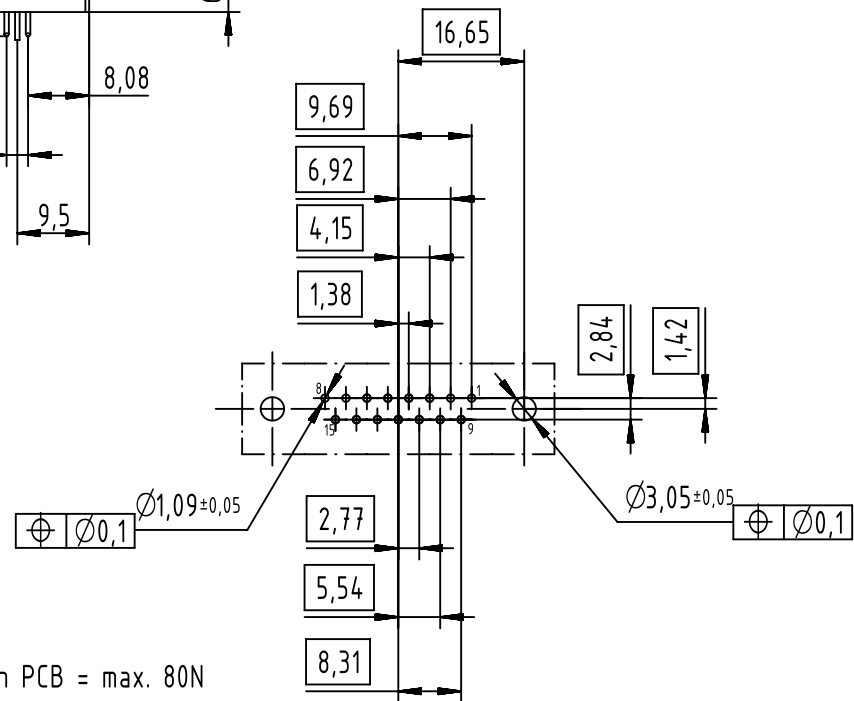


1 2 3 4 5 6

A
B
C
D



PC-Board layout
view component side
thickness 1,6



Connector insertion force on PCB = max. 80N

	All Dimensions in mm Original Size DIN A4		Scale 1:1	Free size tol.		Ref.
						Sub.
	All rights reserved Department EC PD - CN		Created by ZENGD	Inspected by LUOK	Standardisation HOFFMANN	Date 2017-11-07
			Title D-Sub STD 15-pole female angled board locks			State Final Release
09682535613		PLS4				Doc-Key / ECM-Nr. 100539808/UGD/001/C 500000126855
09682537613		PL3				
Part number		Performance level	HARTING Electronics GmbH D-32339 Espelkamp			Rev. C
			Type TB	Number 0968253X613		Page 1/1

Mouser Electronics

Authorized Distributor

Click to View Pricing, Inventory, Delivery & Lifecycle Information:

[HARTING:](#)

[09682535613](#) [09682537613](#)