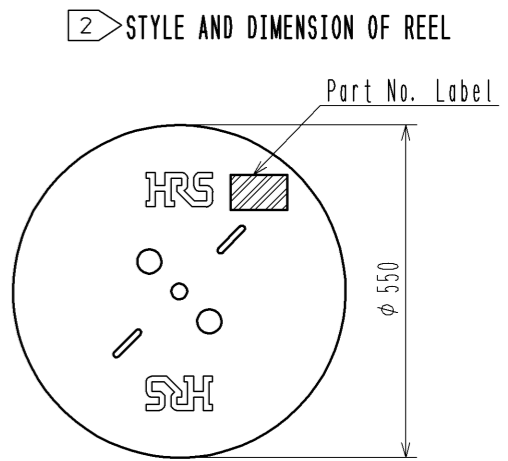
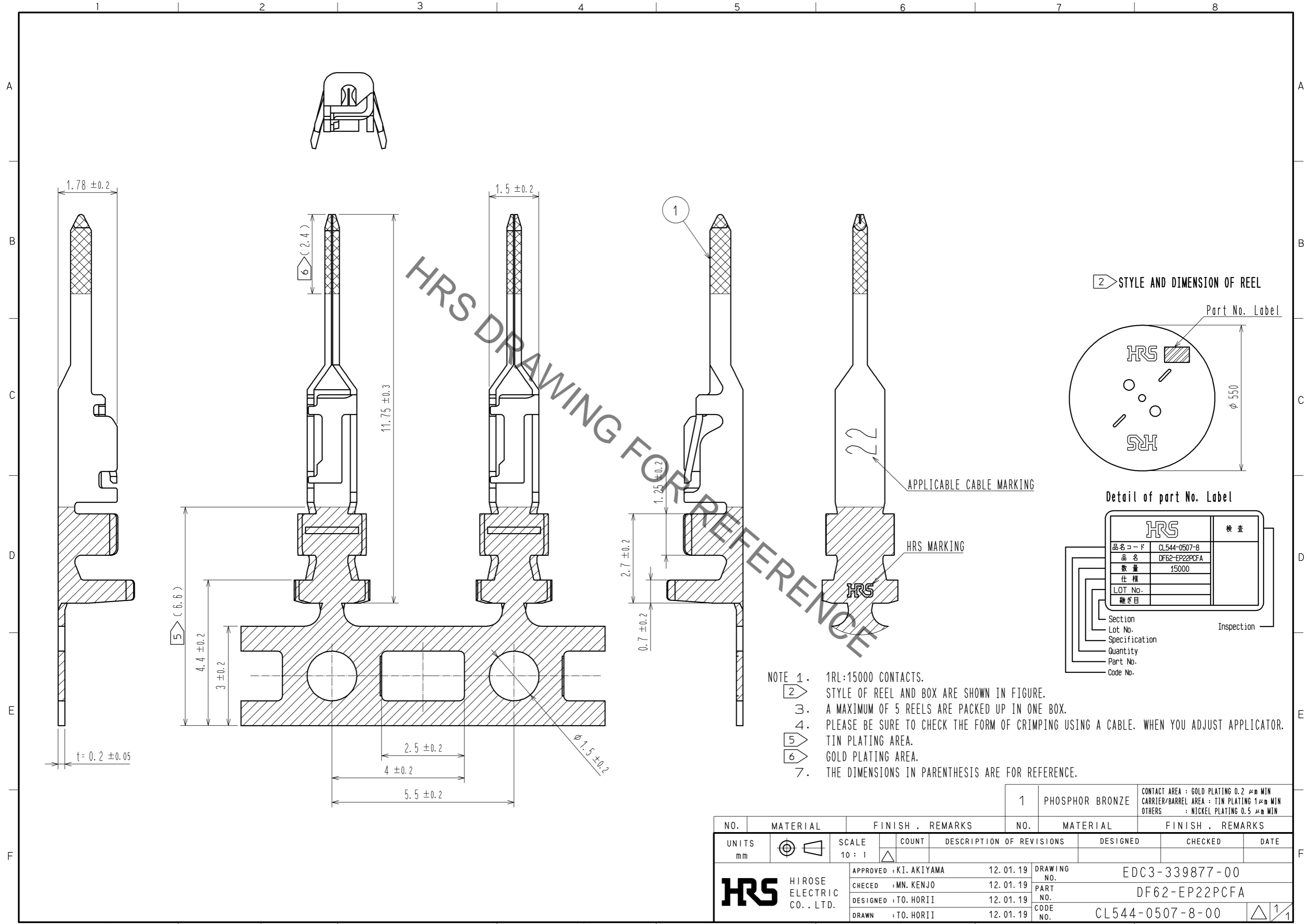


Jun.1.2021 Copyright 2021 HIROSE ELECTRIC CO., LTD. All Rights Reserved.
In case of consideration for using Automotive equipment / device which demand high reliability, kindly contact our sales window correspondents.



Detail of part No. Label

HRS		検査
品名コード	CL544-0507-8	
品名	DF62-EP22PCFA	
数量	15000	
仕様		
LOT No.		
継ぎ目		
Section		Inspection
Lot No.		
Specification		
Quantity		
Part No.		
Code No.		

- NOTE 1. 1RL:15000 CONTACTS.
 2. STYLE OF REEL AND BOX ARE SHOWN IN FIGURE.
 3. A MAXIMUM OF 5 REELS ARE PACKED UP IN ONE BOX.
 4. PLEASE BE SURE TO CHECK THE FORM OF CRIMPING USING A CABLE. WHEN YOU ADJUST APPLICATOR.
 5. TIN PLATING AREA.
 6. GOLD PLATING AREA.
 7. THE DIMENSIONS IN PARENTHESIS ARE FOR REFERENCE.

NO.	MATERIAL	FINISH . REMARKS	NO.	MATERIAL	FINISH . REMARKS		
			1	PHOSPHOR BRONZE	CONTACT AREA : GOLD PLATING 0.2 μm MIN CARRIER/BARREL AREA : TIN PLATING 1 μm MIN OTHERS : NICKEL PLATING 0.5 μm MIN		
UNITS mm		SCALE 10 : 1	COUNT 	DESCRIPTION OF REVISIONS	DESIGNED	CHECKED	DATE
HRS	HIROSE ELECTRIC CO., LTD.	APPROVED : KI. AKIYAMA	12.01.19	DRAWING NO.	EDC3-339877-00		
		CHECED : MN. KENJO	12.01.19	PART NO.	DF62-EP22PCFA		
		DESIGNED : TO. HORII	12.01.19	CODE NO.	CL544-0507-8-00		
		DRAWN : TO. HORII	12.01.19				

Mouser Electronics

Authorized Distributor

Click to View Pricing, Inventory, Delivery & Lifecycle Information:

[Hirose Electric:](#)

[DF62-EP22PCFA](#)