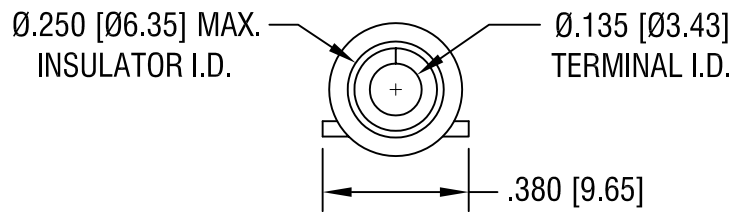
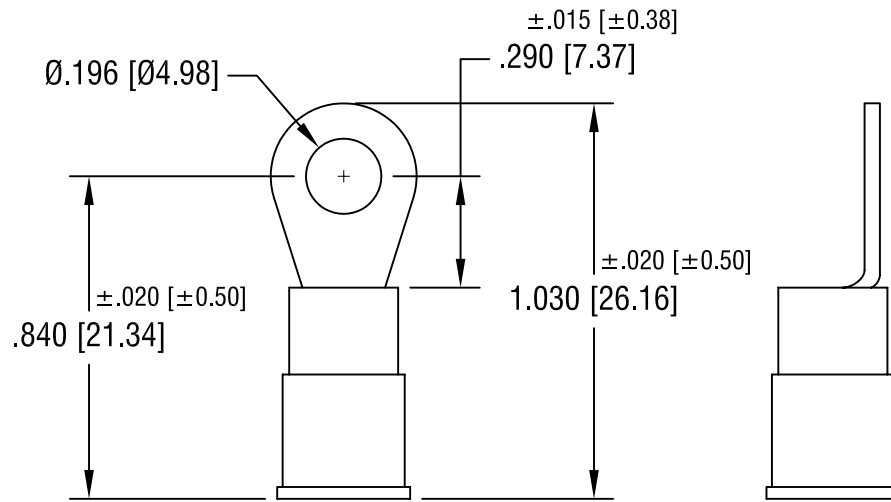


THIS DOCUMENT IS THE PROPERTY OF  
KEYSTONE ELECTRONICS CORP. AND  
SHALL NOT BE REPRODUCED, DISTRIBUTED  
OR USED AS A BASIS FOR MANUFACTURE  
WITHOUT PRIOR WRITTEN PERMISSION  
FROM KEYSTONE ELECTRONICS CORP.



NOTE:

1. TERMINAL: .040 [1.02] TH'K COPPER, TIN PLATE  
INSULATOR: VINYL, YELLOW
2. ACCOMMODATES WIRE RANGE 12/10 AWG

**KEYSTONE ELECTRONICS CORP.**

ASTORIA, N.Y. 11105-2017

PART NAME

INSULATED RING TONGUE TERMINAL

MATERIAL

AS NOTED

FINISH

AS NOTED

DRN BY

BOONE

DATE

10.19.07

APP'D

LN

SCALE

2X

TOLERANCES

INCH [MM]

DECIMAL  $\pm .005$  [ $\pm 0.15$ ]

ANGULAR  $\pm 1^\circ$   
UNLESS OTHERWISE SPECIFIED

CODE

C/M

DWG NO.

8217

DATE

DESCRIPTION

REV.

# Mouser Electronics

Authorized Distributor

Click to View Pricing, Inventory, Delivery & Lifecycle Information:

[Keystone Electronics:](#)

[8217](#)