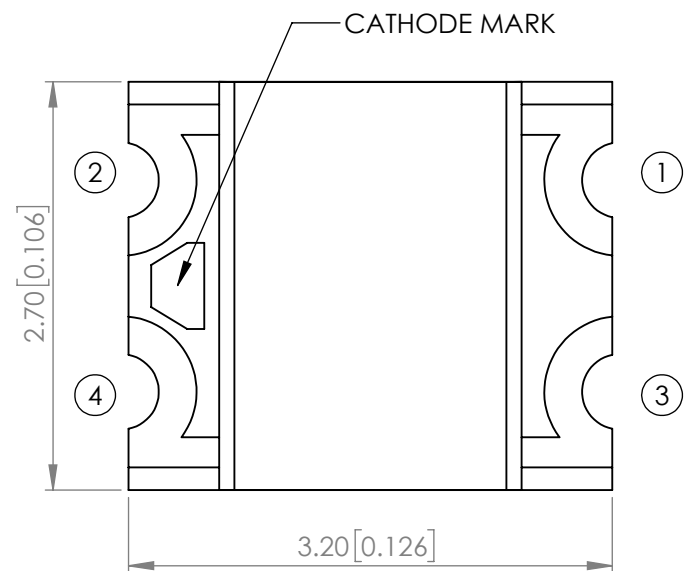
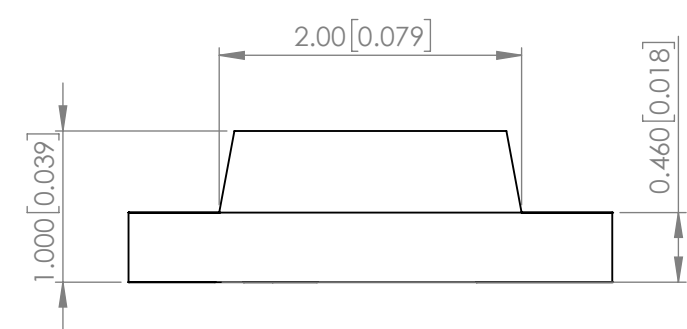
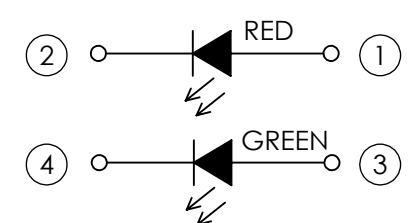


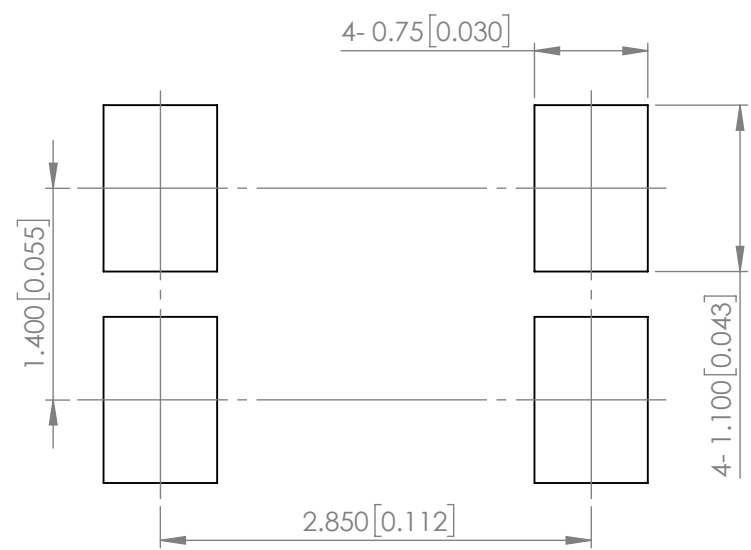
PART NUMBER		SML-LX1210IGC-TR	REV	K
REV	E.C.N. NUMBER AND REVISION COMMENTS			DATE
A	ADDED TAPE W/POLARITY AND DIRECTION.			11.06.95
B	E.C.N. #10324.			03.17.97
C	E.C.N. #10404. & #10BRDR & REDRAWN.			05.22.98
D	E.C.N. #10695.			01.04.01
E	E.C.N. #10834.			01.25.02
F	E.C.N. #10972.			03.25.03
G	E.C.N. #11148.			02.07.05
H	E.C.N. #11508.			03.10.09
I	E.C.N. #11740/ #10BRDR. & REDRAWN.			07.22.11
J	ECN-Lumex201800168			11.07.18
K	ECN-Lumex202100070			12.14.21



**POLARITY**



**RECOMMENDED SOLDER PAD LAYOUT**



**ELECTRO-OPTICAL CHARACTERISTIC TA=25°C**

PARAMETER	MIN	TYP	MAX	UNITS	TEST COND
PEAK WAVELENGTH	R	630	-	nm	If=20mA
	G	575	-		
FORWARD VOLTAGE	R	2.0	2.4	Vf	If=20mA
	G	2.0	2.4		
REVERSE CURRENT	R	-	10	uA	VR=5V
	G	-	10		
LUMINOUS INTENSITY	R	40	-	mcd	If=20mA
	G	25	-		
VIEWING ANGLE	-	140	-	2x theta1/2	-
EMITTED COLOR	RED / GREEN				
EPOXY LENS FINISH	WATER CLEAR				

**ABSOLUTE MAXIMUM RATINGS TA=25°C**

PARAMETER	MAX	UNITS
PEAK FORWARD CURRENT (R/G)*	60 / 60	mA
FORWARD CURRENT (R/G)	25 / 25	mA
REVERSE VOLTAGE	5	V
POWER DISSIPATION (R/G)	60 / 60	mW
STORAGE TEMPERATURE	-40 TO +90	°C
OPERATING TEMPERATURE	-40 TO +85	°C

\* 1/10 DUTY CYCLE 0.1ms PULSE.

**MOISTURE SENSITIVE DEVICE  
PER JEDEC LEVEL 3 STANDARDS**

\*UNLESS OTHERWISE SPECIFIED TOLERANCES PER DECIMAL PRECISION ARE: X=±1 (±0.039), X.X=±0.5 (±0.020), X.XX=±0.25 (±0.010), X.XXX=±0.127 (±0.005). LEAD SIZE=±0.05 (±0.002), LEAD LENGTH=±0.75 (±0.030). MIN= <sup>+DECIMAL PRECISION</sup> / <sub>-0.00</sub> MAX= <sup>+0.00</sup> / <sub>-DECIMAL PRECISION</sub>



425 N. GARY AVE.  
CAROL STREAM, IL 60188  
PHONE : 800-278-5666  
FAX : 630-315-2150  
WEB : WWW.LUMEX.COM

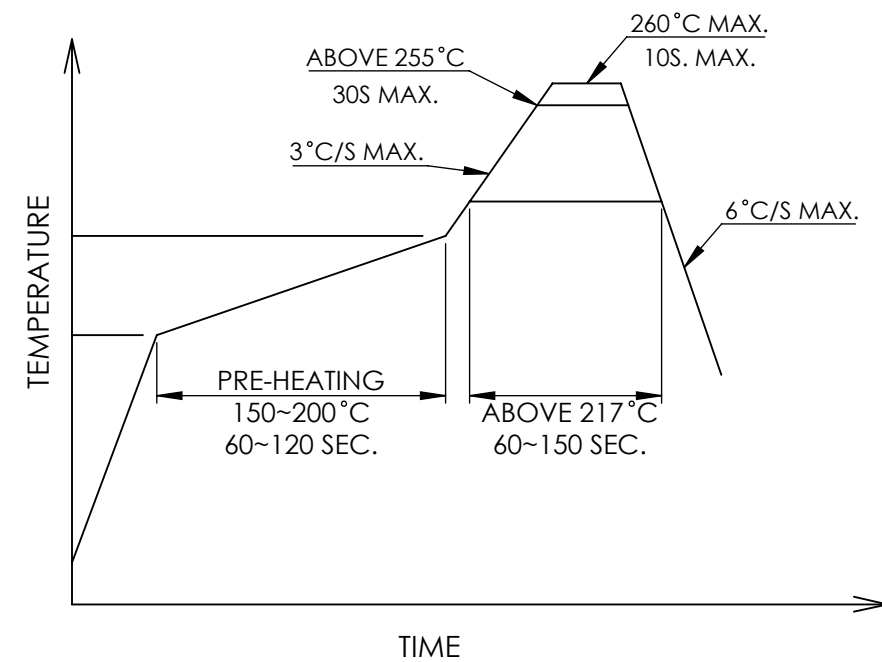
2.7(L)\*3.2(W)\*1.0(H)mm, PCB SURFACE MOUNT TOP VIEW LED, 630nm RED/575 GREEN, WATER CLEAR LENS, TAPE & REEL.

**\*\*THE SPECIFICATIONS MAY CHANGE AT ANY TIME WITHOUT NOTICE.\*\***

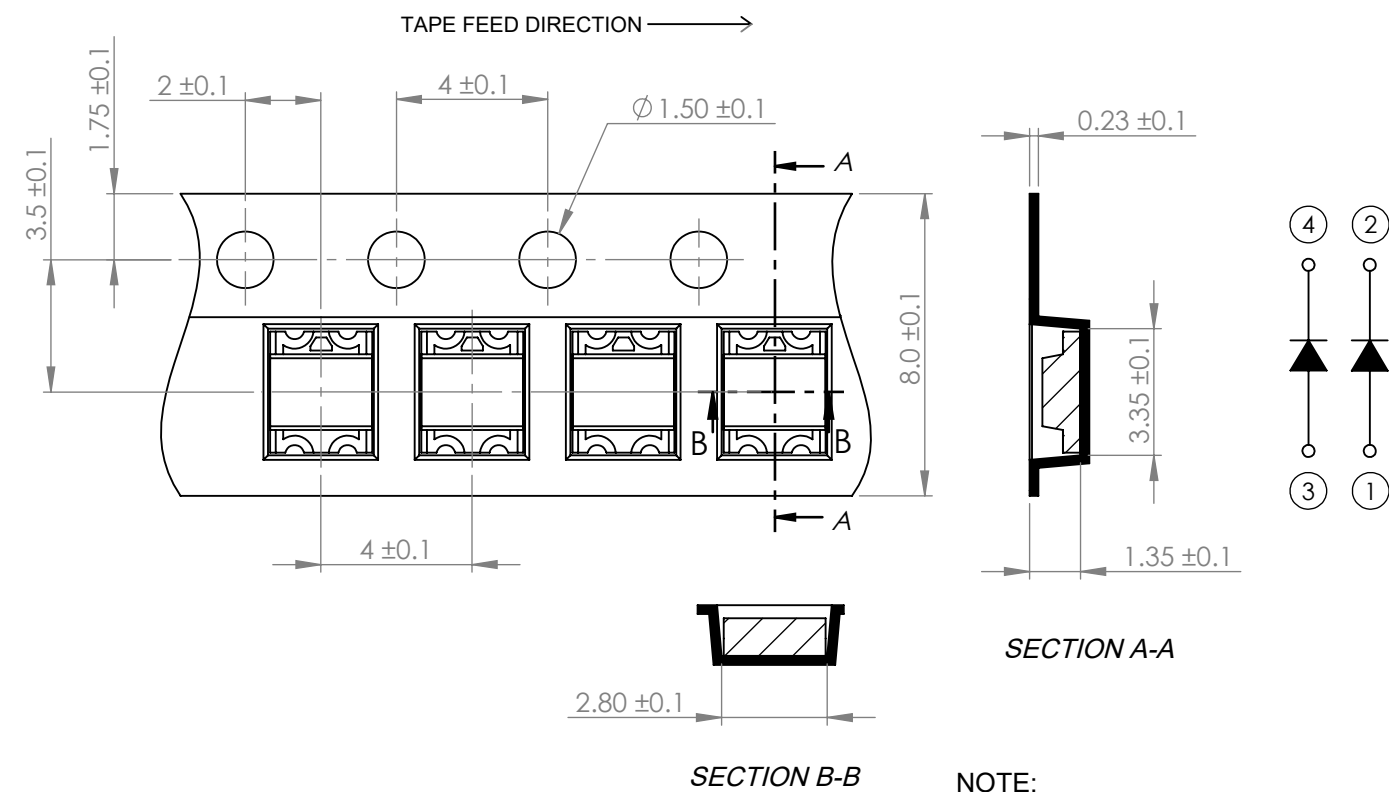
**CONFIDENTIAL INFORMATION**  
THE INFORMATION CONTAINED IN THIS DOCUMENT IS THE PROPERTY OF LUMEX INC. EXCEPT AS SPECIFICALLY AUTHORIZED IN WRITING BY LUMEX INC., THE HOLDER OF THIS DOCUMENT SHALL KEEP ALL INFORMATION CONTAINED HEREIN CONFIDENTIAL AND SHALL PROTECT SAME IN WHOLE OR IN PART FROM DISCLOSURE AND DISSEMINATION TO ALL THIRD PARTIES.

DATE : 2021.12.14  
DRAWN BY : C.C.  
PAGE : 1 OF 2  
CHKD BY : G.Y.  
SCALE : NTF  
APRVD BY : E.C.  
UNIT : mm [INCH]

**PROFILE**



**CARRIER TAPE DIMENSION**



NOTE:  
1. PACKAGE: 2000 PCS/REEL.

\*UNLESS OTHERWISE SPECIFIED TOLERANCES PER DECIMAL PRECISION ARE: X=±1 (±0.039), X.X=±0.5 (±0.020), X.XX=±0.25 (±0.010), X.XXX=±0.127 (±0.005). LEAD SIZE=±0.05 (±0.002), LEAD LENGTH=±0.75 (±0.030). MIN= <sup>+DECIMAL PRECISION</sup>/<sub>-0.00</sub> MAX= <sup>+0.00</sup>/<sub>-DECIMAL PRECISION</sub>



425 N. GARY AVE.  
CAROL STREAM, IL 60188  
PHONE : 800-278-5666  
FAX : 630-315-2150  
WEB : WWW.LUMEX.COM

2.7(L)\*3.2(W)\*1.0(H)mm, PCB SURFACE MOUNT TOP VIEW LED, 630nm RED/575 GREEN, WATER CLEAR LENS, TAPE & REEL.

**\*\*THE SPECIFICATIONS MAY CHANGE AT ANY TIME WITHOUT NOTICE.\*\***

**CONFIDENTIAL INFORMATION**  
THE INFORMATION CONTAINED IN THIS DOCUMENT IS THE PROPERTY OF LUMEX INC. EXCEPT AS SPECIFICALLY AUTHORIZED IN WRITING BY LUMEX INC., THE HOLDER OF THIS DOCUMENT SHALL KEEP ALL INFORMATION CONTAINED HEREIN CONFIDENTIAL AND SHALL PROTECT SAME IN WHOLE OR IN PART FROM DISCLOSURE AND DISSEMINATION TO ALL THIRD PARTIES.

DATE : 2021.12.14	DRAWN BY : C.C.
PAGE : 2 OF 2	CHKD BY : G.Y.
SCALE : NTF	APRVD BY : E.C.
UNIT : mm [INCH]	Ⓟ