

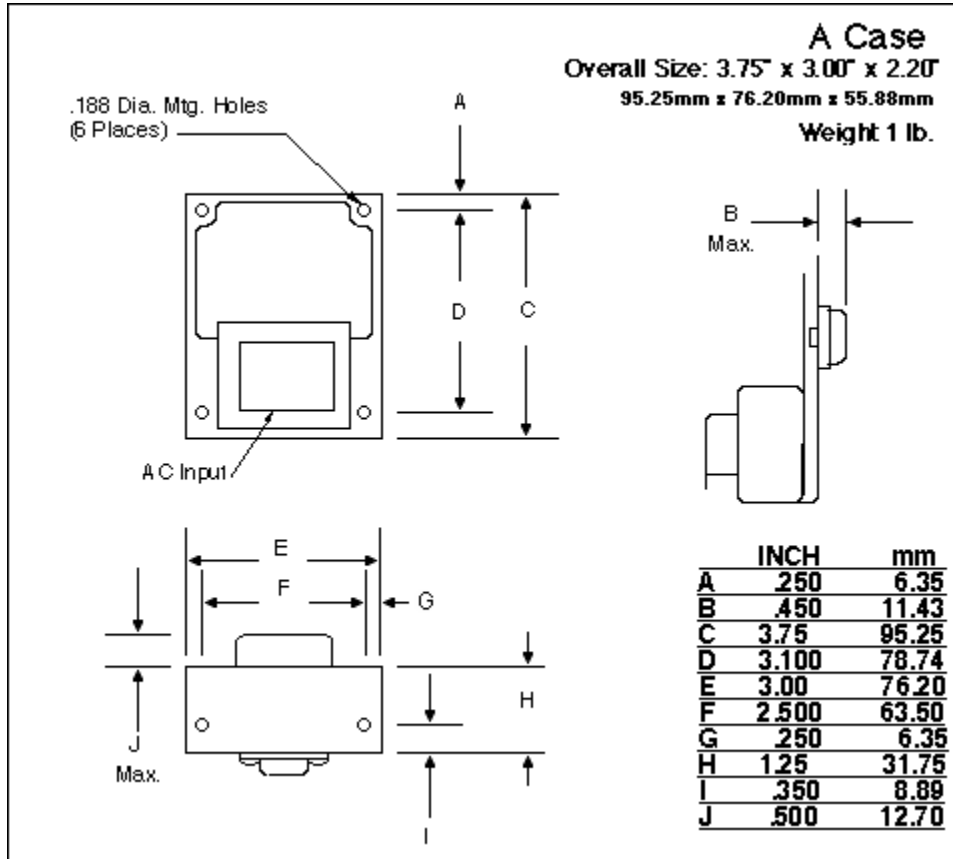
SPECIFICATIONS: LINEAR POWER SUPPLY IHA15-0.5

MADE IN THE U.S.A.

<p>VAC INPUT:</p> <ul style="list-style-type: none"> • 115/230 VAC +/-10% • FREQUENCY RANGE: 47-440 HZ 	<p>VAC JUMPERING AND FUSING REQUIREMENTS: SILKSCREENED ON CHASSIS FOR TRANSFORMER PRIMARY TERMINALS</p> <table border="1"> <tr> <td>For Use at</td> <td>115VAC</td> <td>230VAC</td> </tr> <tr> <td>Jumper</td> <td>1&3, 2&4</td> <td>2&3</td> </tr> <tr> <td>Apply AC</td> <td>1&4</td> <td>1&4</td> </tr> <tr> <td>Max Current / Fuse Rating</td> <td>0.25A</td> <td>0.125A</td> </tr> </table>	For Use at	115VAC	230VAC	Jumper	1&3, 2&4	2&3	Apply AC	1&4	1&4	Max Current / Fuse Rating	0.25A	0.125A
For Use at	115VAC	230VAC											
Jumper	1&3, 2&4	2&3											
Apply AC	1&4	1&4											
Max Current / Fuse Rating	0.25A	0.125A											
<p>VDC OUTPUT:</p> <ul style="list-style-type: none"> • 15 VDC @ 0.5 AMP 	<p>OVERVOLTAGE PROTECTION:</p> <ul style="list-style-type: none"> • PROVIDED. FACTORY SET AT 6.2VDC +/-0.4VDC <p>SHORT CIRCUIT PROTECTION:</p> <ul style="list-style-type: none"> • AUTOMATIC FOLDBACK <p>OVERLOAD PROTECTION:</p> <ul style="list-style-type: none"> • AUTOMATIC CURRENT LIMIT 												
<p>LINE REGULATION:</p> <ul style="list-style-type: none"> • +/- 0.05% FOR A 10% LINE CHANGE 	<p>LOAD REGULATION:</p> <ul style="list-style-type: none"> • +/- 0.05% FOR A 50% LOAD CHANGE (DERATE OUTPUT CURRENT 10% FOR 50 HZ OPERATION) 												
<p>OUTPUT RIPPLE: 5.0mV PK-PK MAXIMUM</p>	<p>TRANSIENT RESPONSE: < 50 µsec per 50% LOAD CHANGE</p>												
<p>TEMPERATURE RATINGS:</p> <ul style="list-style-type: none"> • OPERATING: 0°C TO 50°C FULL RATED DERATED LINEARLY TO 40% @ 70°C • STORAGE: -40°C TO +85°C 	<p>TEMPERATURE COEFFICIENT:</p> <ul style="list-style-type: none"> • TYPICAL: 0.01%/DEGREE C • MAXIMUM: 0.03%/DEGREE C 												
<p>STABILITY: +/- 0.3% FOR 24 HOURS AFTER 1 HOUR WARM-UP</p>	<p>EFFICIENCY (TYPICAL): 45%</p>												
<p>VIBRATION:</p> <ul style="list-style-type: none"> • MIL-STD-810G, METHOD 514.6, CATEGORY 1, PROCEDURE I • RANDOM VIBRATION 10Hz - 2KHz, 6.15 grams (3 axis) 	<p>SHOCK:</p> <ul style="list-style-type: none"> • MIL-STD-810G, METHOD 516.6, PROCEDURE III • OPERATING: 20 GPK 												
<p>REMOTE SENSING: NOT PROVIDED</p>	<p>EMI/RFI: INHERENT LOW CONDUCTED AND REDIATED NOISE LEVELS.</p> <ul style="list-style-type: none"> • EMI: FCC CFR TITLE 47 PART 15 SUB-PART B • RFI: EN55022/CISPR22-LEVEL B COMPATIBILITY 												

UL recognized for US and Canada – File#E133338/ CE Mark: LVD 92/59/EEC/ RoHs-5 Lead in Solder Exemption
 US and Canadian (Bi-National) standards: ANSI/UL 60950-1/-21; CAN/CSA C22.2 #60950-1/-21; IEC 60950-1

CASE SIZE: A



Mouser Electronics

Authorized Distributor

Click to View Pricing, Inventory, Delivery & Lifecycle Information:

[International Power:](#)

[IHA15-0.5](#)