



ENGLISH

## Datasheet

# 8P 270 DIN Socket Panel Screw Mount

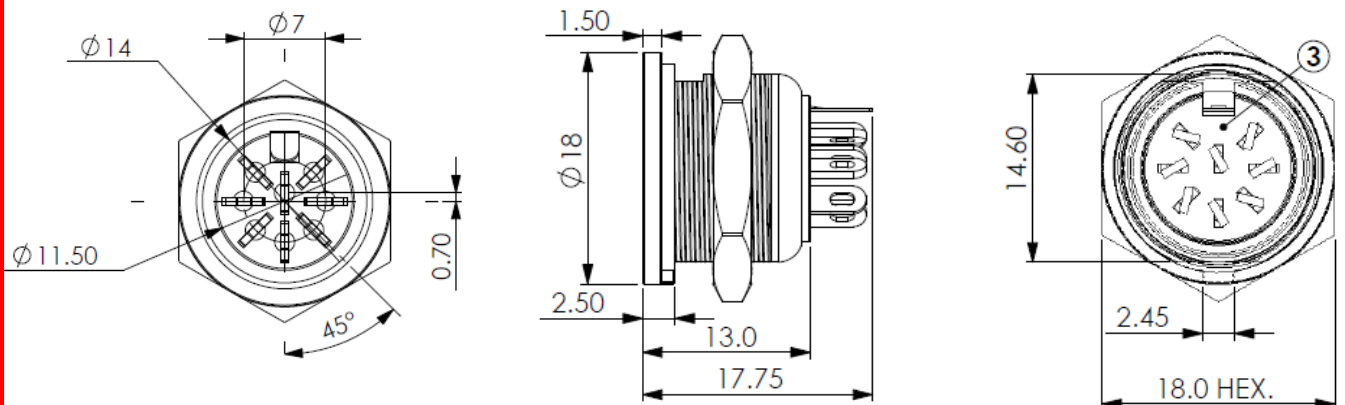
RS Stock number 491-140

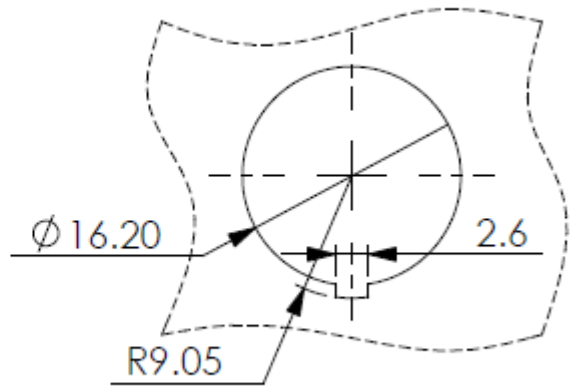
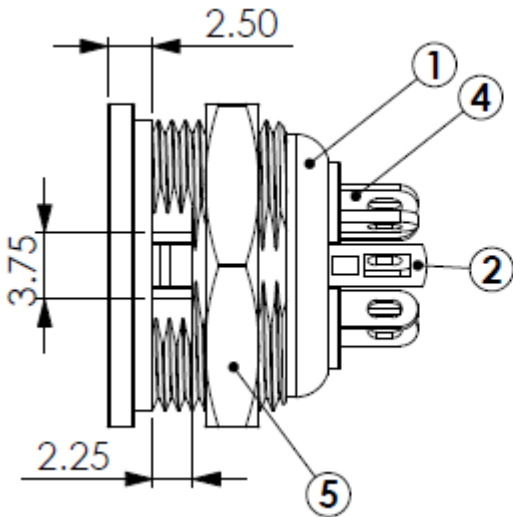


### Specifications:

Rating:	100V AC 4A max.
Contact Resistance:	pins-30mΩ max; shell-50m Ω max.
Insulation Resistance:	100MΩ min. at 500V DC
Dielectric Strength:	250V AC R.M.S. for 1 minute

### Dimensions(mm)





Through Hole Dimension

No.	Description	Material	Treat
1	Shield Cover	Zn Alloy	Chrome Ptd.
2	Negative Contact	Copper	Nickel Ptd.
3	8P 270 Housing	ABS	
4	Terminals	Brass	Silver Ptd.
5	Screw Nut	Brass	Nickel Ptd.