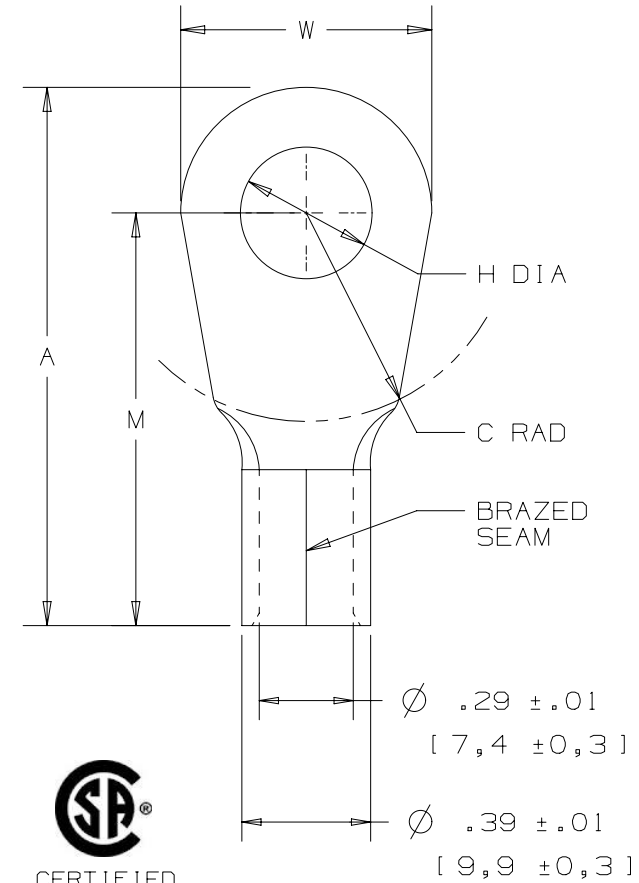


THIS COPY IS PROVIDED ON A RESTRICTED BASIS AND IS NOT TO BE USED IN ANY WAY DETRIMENTAL TO THE INTERESTS OF PANDUIT CORP.

PANDUIT PART NUMBER	STUD SIZE	DIMENSIONS - in [mm]				
		A ± .03 [0,8]	W ± .01 [0,3]	C ± .02 [0,5]	M ± .03 [0,8]	H ± .01 [0,3]
P4-10R	#10	1.40 [35,6]	.55 [14,0]	.50 [12,7]	1.12 [28,5]	.20 [5,1]
P4-14R	1/4"	1.40 [35,6]	.55 [14,0]	.50 [12,7]	1.12 [28,5]	.27 [6,9]
P4-56R	5/16"	1.46 [37,1]	.68 [17,3]	.50 [12,7]	1.12 [28,5]	.33 [8,4]
P4-38R	3/8"	1.46 [37,1]	.68 [17,3]	.50 [12,7]	1.12 [28,5]	.39 [9,9]
P4-12R	1/2"	1.55 [39,4]	.86 [21,8]	.53 [13,5]	1.12 [28,5]	.52 [13,2]



UL & CSA TOOL, DIES AND NUMBER OF CRIMPS		
TOOLS	DIES	NUMBER OF CRIMPS
CT-1701	P4	2
CT-2600	CD-2600-P4	1

NOTES:

- UL LISTED AND CSA CERTIFIED FOR:
  - A. #4 AWG STRANDED COPPER WIRE
  - B. 302°F (150°C) MAX TEMP RATING
  - C. 2000 VOLTS MAX
- SEE WWW.PANDUIT.COM FOR PACKAGE QUANTITIES
- MATERIAL:
  - A. STAMPING - .05" [1,27] THK COPPER, TIN PLATED
- DIMENSIONS IN BRACKETS ARE IN MILLIMETERS
- WIRE STRIP LENGTH: 1/2"  $\begin{matrix} +1/32 \\ -0 \end{matrix}$  [12,7mm  $\begin{matrix} +0,8 \\ -0 \end{matrix}$ ]



TITLE #4 BARREL NON-INSULATED RING TONGUE CUSTOMER DRAWING	
ITEM REVISION NAME N41213BB/10	<b>PANDUIT</b>
DATASET FILE NAME N41213BB/10	
UNLESS OTHERWISE SPECIFIED, DIMENSIONAL TOLERANCES ARE: IN [mm]	
.X ± .XX ±	.XXX ± ANGLES ±
THIRD ANGLE PROJECTION	
DRAWN BY DAW	DATE
CHK	SCALE NONE
DRAWING NUMBER: A41213	
REV	DATE
BY	CHK
APR	DESCRIPTION
ECN	
SHT 1 OF 1	
A	

D101000DA/16

# Mouser Electronics

Authorized Distributor

Click to View Pricing, Inventory, Delivery & Lifecycle Information:

[Panduit:](#)

[P4-56R-E](#) [P4-38R-T](#)