

4

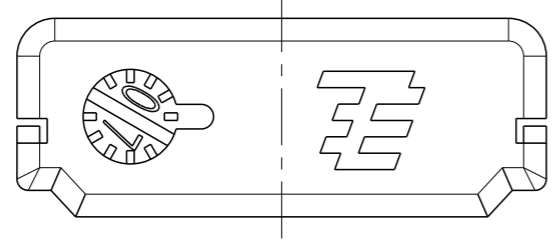
3

2

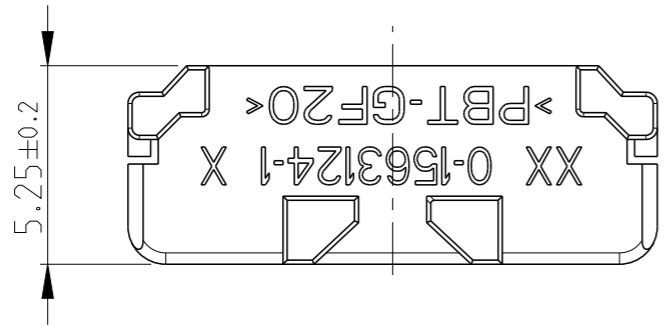
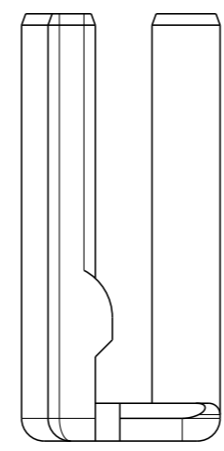
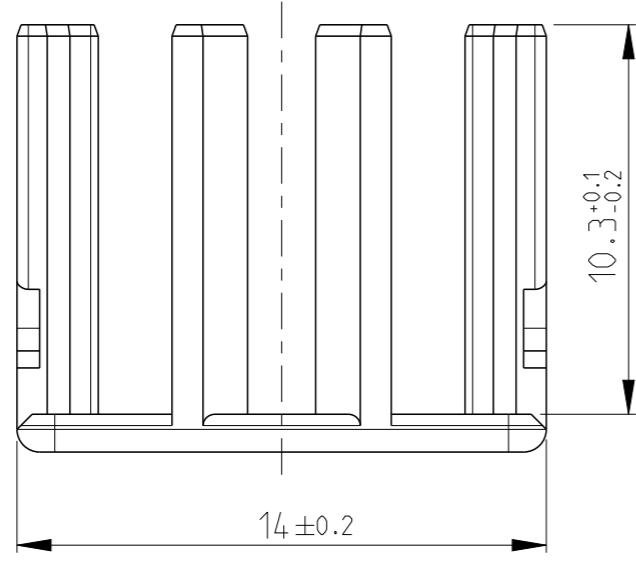
1

THIS DRAWING IS UNPUBLISHED. RELEASED FOR PUBLICATION 2008
 © COPYRIGHT 2008 BY TYCO ELECTRONICS CORPORATION. ALL RIGHTS RESERVED.

LOC	DIST	REVISIONS					
		P	LTR	DESCRIPTION	DATE	DWN	APVD
A1	-		A	NEW DRAWING	30JAN2008	GP	GM
			A1	ECR-17-010498	19JUL2017	KC	PT



1:1



- NOTES:
Bemerkungen:
- DELIVERY CONDITION: LOOSE PIECES
Anlieferungszustand: Teile lose beigelegt
 - MATED WITH TE-PN: 0-1563123-1
Verwendet mit TE-PN: 0-1563123-1
 - MATED WITH TE-PN: 0-2112415-1
Verwendet mit TE-PN: 0-2112415-1

<small>THIS DRAWING IS A CONTROLLED DOCUMENT FOR TYCO ELECTRONICS CORPORATION IT IS SUBJECT TO CHANGE AND THE CONTROLLING ENGINEERING ORGANIZATION SHOULD BE CONTACTED FOR THE LATEST REVISION.</small>		DWN G.PUCKEL	30JAN2008	Tyco Electronics AMP GmbH 64625 Bensheim (Germany)
DIMENSIONS: mm		CHK K.ROTH	30JAN2008	
		APVD G.MUMPER	30JAN2008	
TOLERANCES UNLESS OTHERWISE SPECIFIED: 0 PLC ±0.30 1 PLC ±0.30 2 PLC ±0.30 3 PLC ± 4 PLC ± ANGLES ±°		PRODUCT SPEC	-	NAME SECONDARY LOCK FOR 10 POS. MIXED RECEPTACLE HOUSING 8 x MCON1.2 AND 2 x MCP2.8
MATERIAL -		APPLICATION SPEC	114-18923 (A1)	SIZE A3
FINISH -		WEIGHT	-	CAGE CODE 00779
		CUSTOMER DRAWING		DRAWING NO 0-1563124
				RESTRICTED TO -
				SCALE 5:1
				SHEET 1 OF 1
				REV A1

Mouser Electronics

Authorized Distributor

Click to View Pricing, Inventory, Delivery & Lifecycle Information:

[TE Connectivity:](#)

[1563124-1](#)