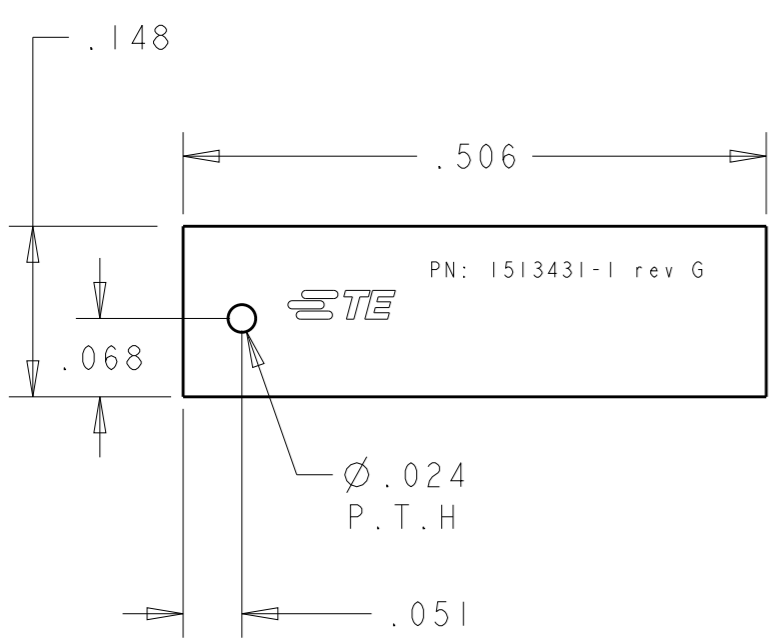
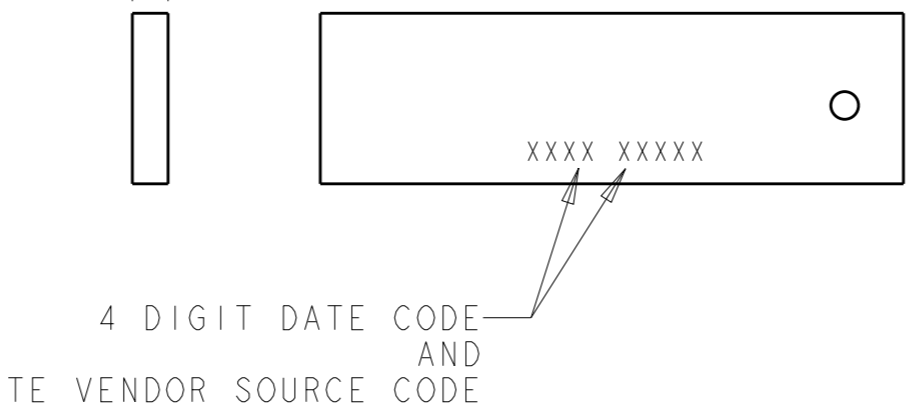


THIS DRAWING IS UNPUBLISHED. RELEASED FOR PUBLICATION 20
 © COPYRIGHT 20 BY TYCO ELECTRONICS CORPORATION ALL RIGHTS RESERVED.

REVISIONS					
P	LTR	DESCRIPTION	DATE	DWN	APVD
	G	REV PER ECO-15-002516	12MAR2015	KF	PG



.031 OVERALL THICKNESS



1513431-2 AS SHOWN

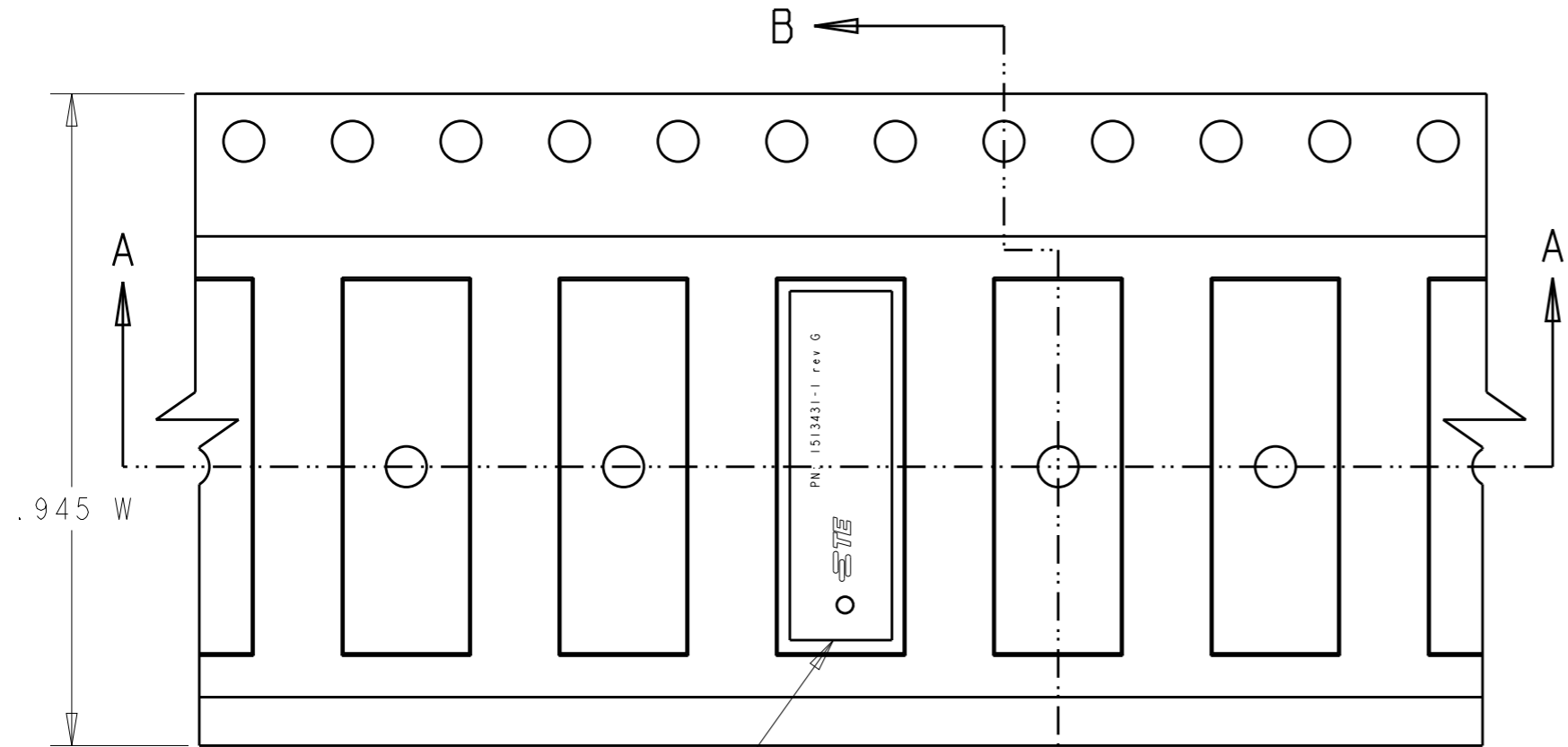
- NOTES: UNLESS OTHERWISE SPECIFIED.
- FABRICATE TO MEET IPC - 6012, CLASS 2. INSPECT TO MEET IPC - A - 600, CLASS 2.
 - PRIMARY AND SECONDARY SIDES SHOWN.
 - MATERIAL : ISOLA IS415 .028 THK., 1/2 OZ. COPPER BOTH SIDES. DIELECTRIC CONSTANT @ 1MHz 4.2 ± 0.1.
 - FINISH:
 A: 1/2 Oz COPPER PLATING.
 B: SOLDERMASK OVER BARE COPPER (SMOBC).
 C: MASK BOTH SIDES OF PCB WITH LPI SOLDERMASK. SOLDERMASK COLOR: NATURAL GREEN.
 D: IMMERSION TIN PLATING
 - THREE PLACE TOLERANCES: ±.009
 - PACKAGING: SINGULATED PARTS TO BE SECURELY SHRINK WRAPPED, BAGGED OR VACUUM PACKED IN BULK FOR TAPE AND REEL, SEE SHEET 2
 - PARTS ARE COMPLIANT TO ROHS STANDARDS PER TE CONNECTIVITY STANDARD TEC-138-702.
 - CONSULT TE CONNECTIVITY DATA SHEET DSI513431
 - CONTACT TE CONNECTIVITY ENGINEERING PRIOR TO DESIGNING INTO AN APPLICATION

FOR TAPE AND REEL PACKAGING, ORDER P/N 1513431-1
 FOR BULK PACKAGING, ORDER P/N 1513431-2

THIS DRAWING IS A CONTROLLED DOCUMENT.		DWN VG 19DEC2007	TE Connectivity		
DIMENSIONS: INCHES		CHK -			
		TOLERANCES UNLESS OTHERWISE SPECIFIED:		PRODUCT SPEC -	
		0 PLC ±-	1 PLC ±-	APPLICATION SPEC -	
MATERIAL -		2 PLC ±-	WEIGHT -		RESTRICTED TO -
FINISH -		3 PLC ±-	SIZE A3	CAGE CODE -	DRAWING NO C-1513431
		4 PLC ±-	CUSTOMER DRAWING		SCALE 1:1
		ANGLES ±-	SHEET 1 OF 2		REV G

THIS DRAWING IS UNPUBLISHED. RELEASED FOR PUBLICATION 20
 © COPYRIGHT 20 BY TYCO ELECTRONICS CORPORATION ALL RIGHTS RESERVED.

REVISIONS					
P	LTR	DESCRIPTION	DATE	DWN	APVD
	-	SEE SHEET 1	-	-	-

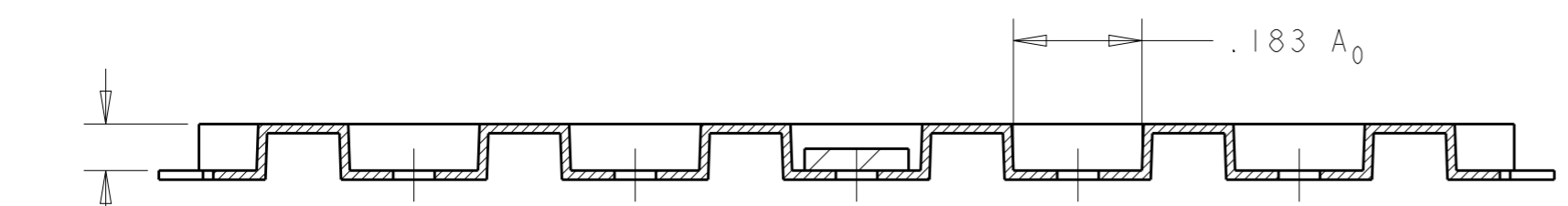


.945 W

.541 B₀

SEE NOTE 3

SECTION B-B



SECTION A-A

1513431-1 AS SHOWN

NOTES: UNLESS OTHERWISE SPECIFIED.

1. REFER TO TE CONNECTIVITY DRAWING NO. C-1513126 FOR TAPE SPECIFIC DIMENSIONS
2. PARTS ARE COMPLIANT TO RoHS STANDARDS PER TE CONNECTIVITY STANDARD TEC-138-702
3. ORIENT PARTS AS SHOWN.

THIS DRAWING IS A CONTROLLED DOCUMENT.		DWN VG 19DEC2007	TE Connectivity		
DIMENSIONS: INCHES		CHK -			
		TOLERANCES UNLESS OTHERWISE SPECIFIED:	PRODUCT SPEC -		SIZE A3
		0 PLC ±-	APPLICATION SPEC -		CAGE CODE -
MATERIAL -		1 PLC ±-	WEIGHT -		DRAWING NO. C-1513431
FINISH -		2 PLC ±-	CUSTOMER DRAWING		RESTRICTED TO -
		3 PLC ±-	SCALE 4:1		SHEET 2 OF 2
		4 PLC ±-			REV G
		ANGLES ±-			

Mouser Electronics

Authorized Distributor

Click to View Pricing, Inventory, Delivery & Lifecycle Information:

[TE Connectivity:](#)

[1513431-2](#)