

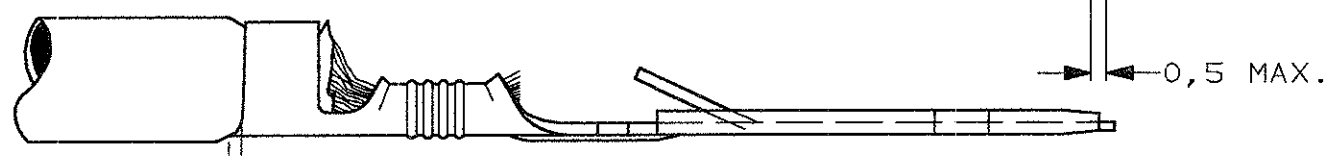
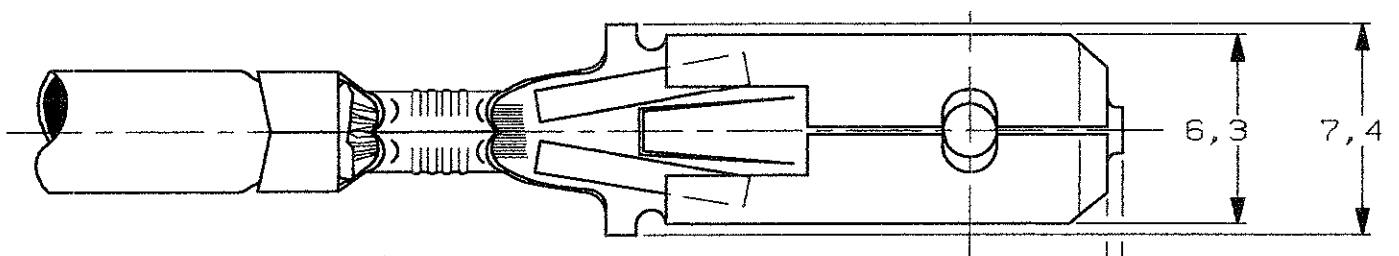
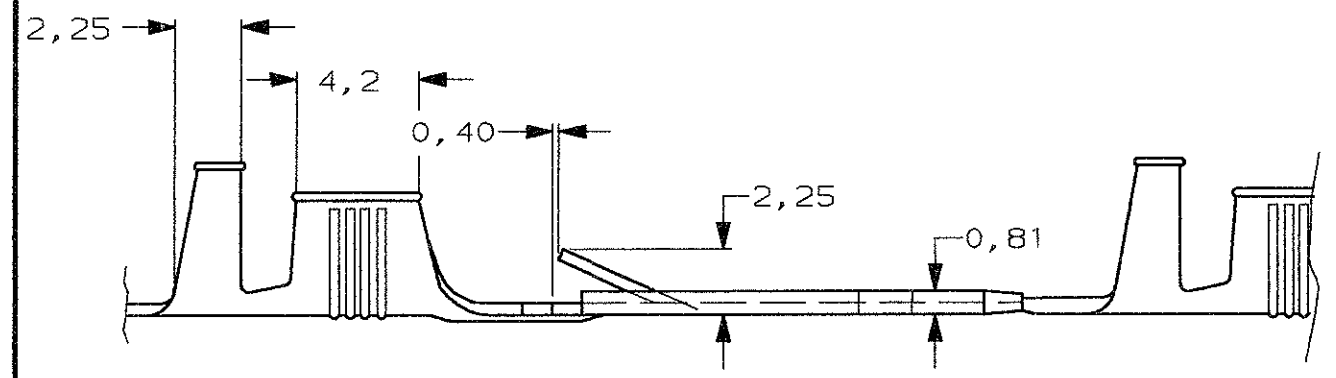
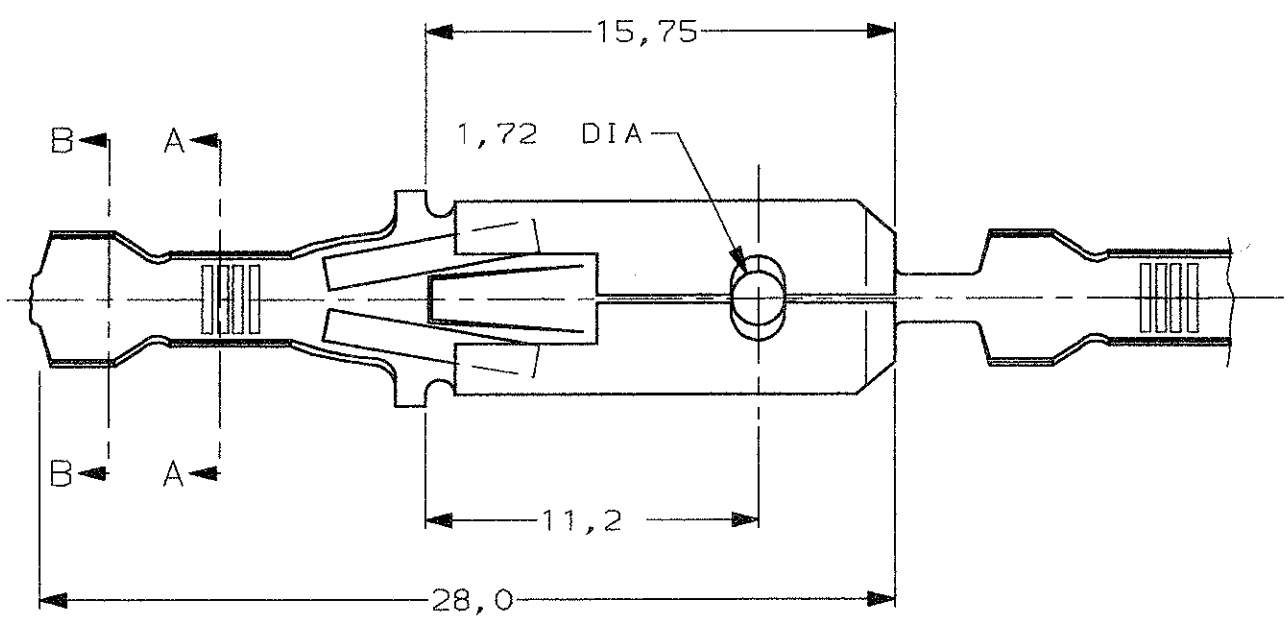
DO NOT SCALE
DIMENSIONS IN mm

METRIC

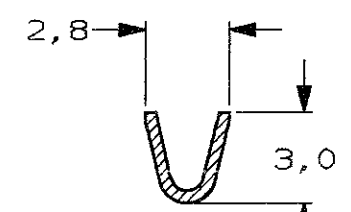
THIRD ANGLE
PROJECTION

NOTES:

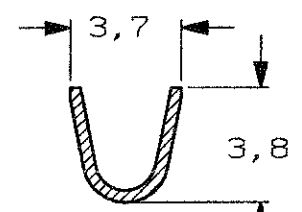
- 1 FOR USE ON MINIATURE APPLICATORS (LEFT-RIGHT FEED)
- 2 PH. BRONZE ELONGATION A50 ≥ 20%.
- 3 OBSOLETE PARTS: OBSOLETE CIS STREAMLINING PER D.RENAUD/D.SINISI



0,5 MAX.

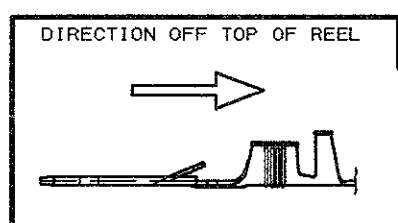


SECTION A-A



SECTION B-B

WIRE RANGE :
0,5-1,0 mm²
INSULATION RANGE :
1,4-2,3mm DIA.



3	OBSOLETE	1	PRE-TINPLATED	BRASS	160859-8
		2	PRE-TINPLATED	Ph BRONZE	160859-7
		3	UNPLATED	Ph BRONZE	160859-6
		4	SILVERPLATED	Ph BRONZE	160859-5
		5	TINPLATED	Ph BRONZE	160859-4
		6	UNPLATED	Ph BRONZE	160859-3
		7	TINPLATED	BRASS	160859-2
		8	UNPLATED	BRASS	160859-1
		PLATING	PLATING	MATERIAL	PARTNUMBER

CUSTOMER DRAWING FOR REFERENCE ONLY
WILL NOT BE UPDATED

THIS DRAWING IS UNPUBLISHED
RELEASED FOR PUBLICATION - ,19 -



NAME
FASTIN-FASTON® Connector,
.250" sr. TAB CONTACT.

G3	REVISED PER ECO-11-005140	RK	HMR	31MAR11	
LTR.	REVISION RECORD	DR.	CHK.	DATE	
DR.:	J.v.LIEMPT.	CHK.:	A.BIJNEN.	APP.:	L.v.SOEST.
DATE:	23 MAR 1992	DATE:	-	DATE:	-

DWG. No.	C-160859	REV. LTR.	G3	SHEET	1 OF 1
					A3

Mouser Electronics

Authorized Distributor

Click to View Pricing, Inventory, Delivery & Lifecycle Information:

[TE Connectivity:](#)

[160859-1](#)