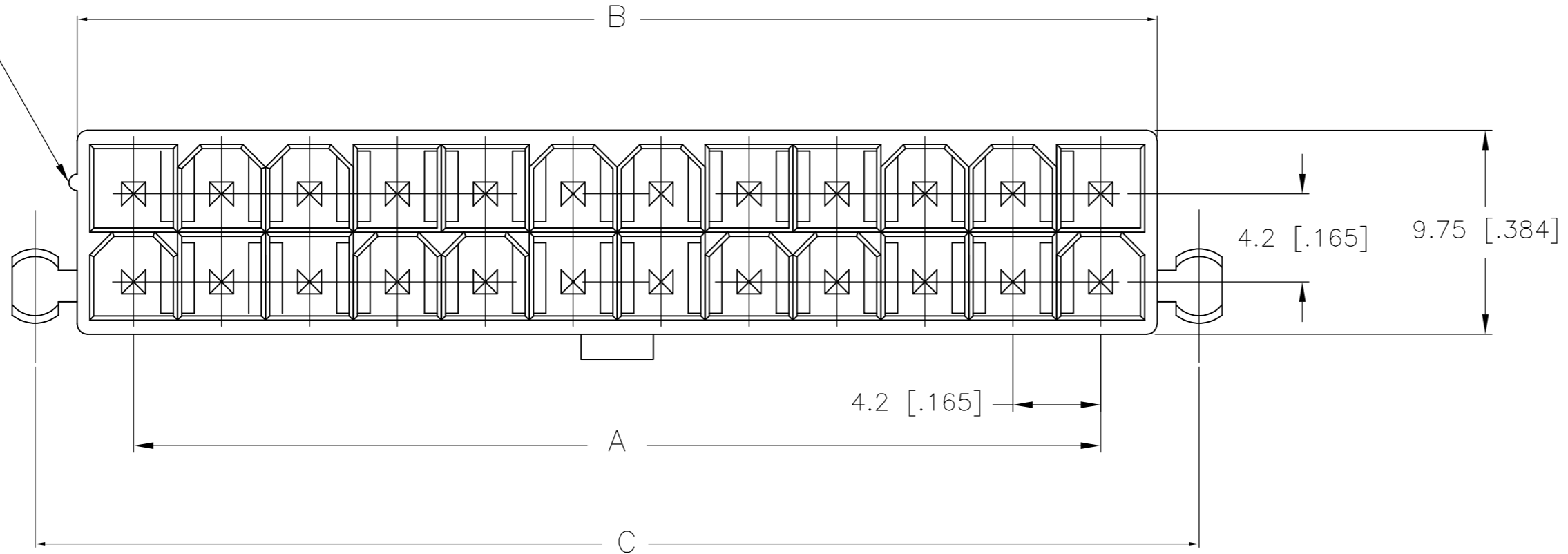


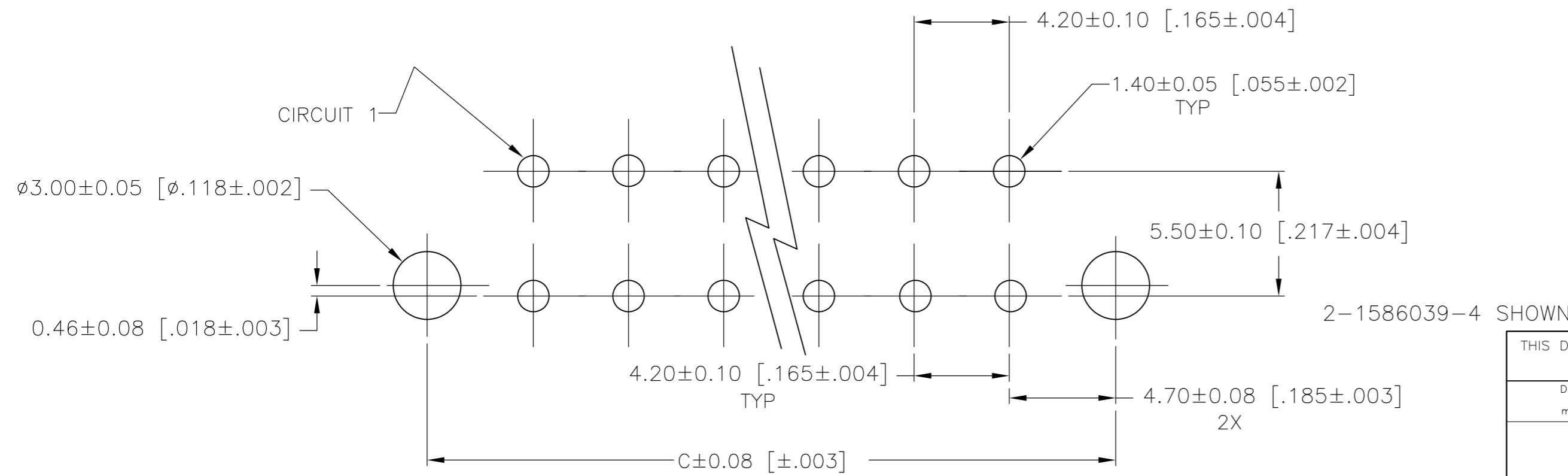
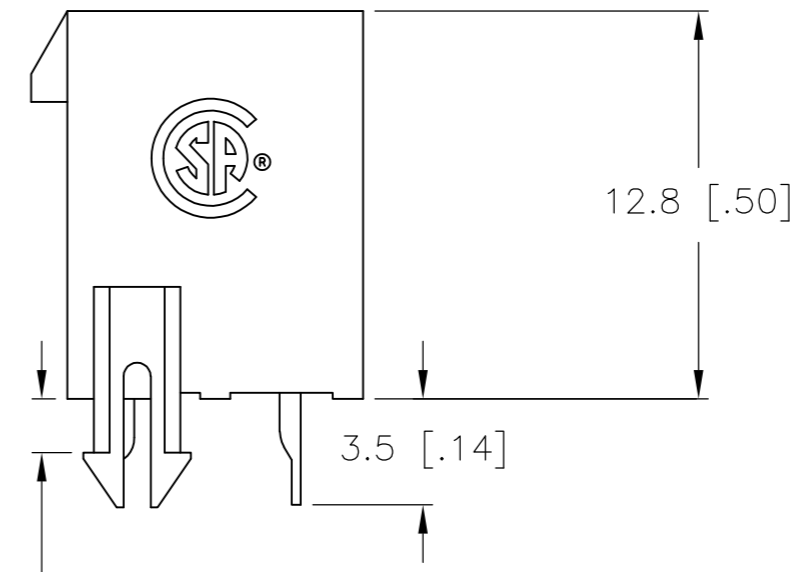
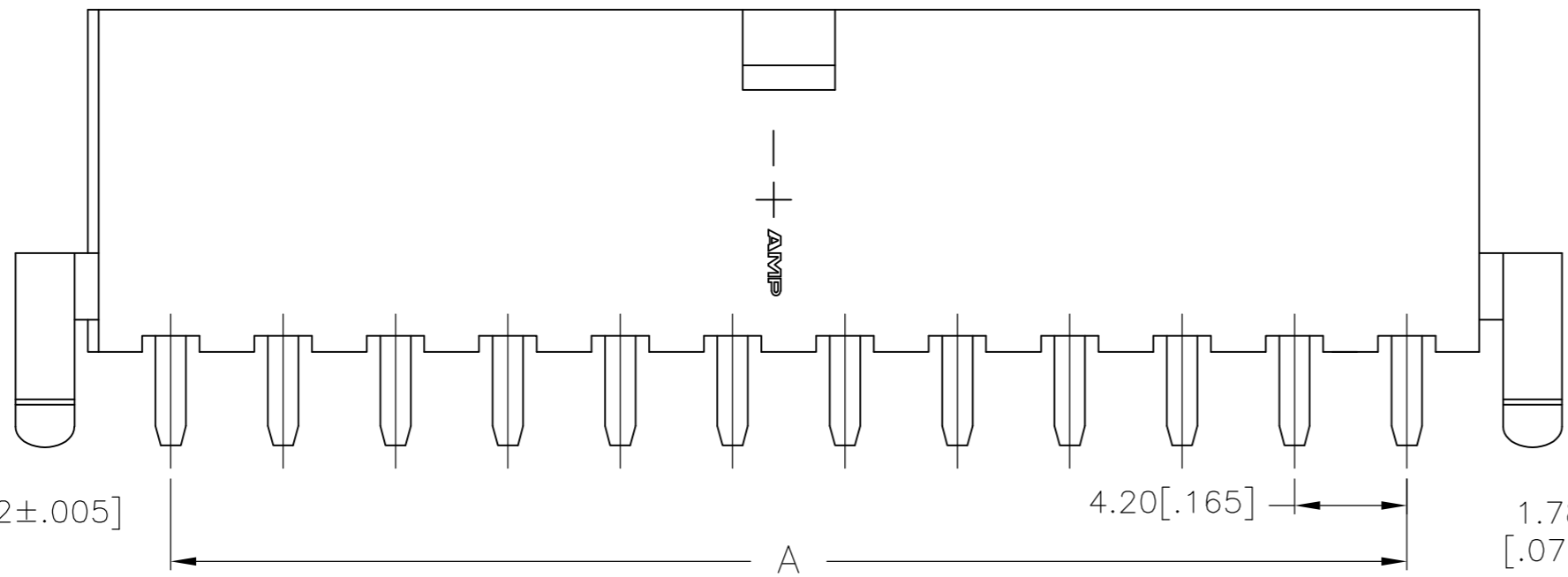
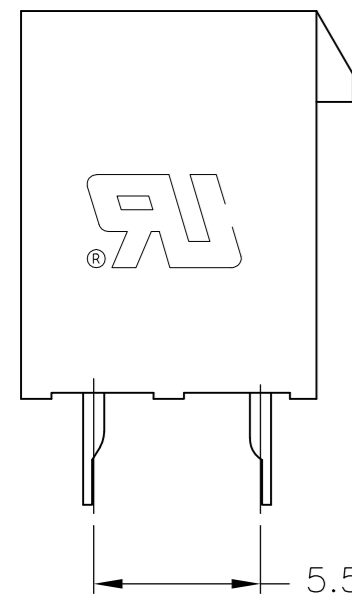
THIS DRAWING IS UNPUBLISHED. RELEASED FOR PUBLICATION
 © COPYRIGHT - By - ALL RIGHTS RESERVED.

| LOC | | DIST | | REVISIONS | | | |
|-----|-----|-------------|---------------------------|-----------|-----------|------|----|
| P | LTR | DESCRIPTION | | DATE | DWN | APVD | |
| CM | 00 | B4 | REVISED PER ECR-16-003295 | | 14MAR2016 | NK | DC |

POSITION 1
IDENTIFICATION
FEATURE



- 1 MATERIAL: HOUSING-PA66, UL94V-2 (COLOR-NATURAL, COLOR OF PARTS MAY VARY) CONTACTS-0.25 [.010] THICK BRASS ALLOY.
- 2 CONTACT FINISH: 0.002032 [.000080] MIN MATTE TIN OVER 0.000381 [.000015] MIN NICKEL OVER ENTIRE CONTACT.
- 3 MATES WITH VAL-U-LOK(TM) RECEPTACLE HOUSINGS.



PCB LAYOUT: COMPONENT SIDE
RECOMMENDED BOARD THICKNESS 1.78 [.070]

| | | | | |
|-----|----------------------|-------------|--------------|-------------|
| 24 | 46.2±0.25 [1.82±.01] | 51.6 [2.03] | 55.6 [2.19] | 2-1586039-4 |
| 22 | 42.0±0.25 [1.65±.01] | 47.4 [1.87] | 51.4 [2.02] | 2-1586039-2 |
| 20 | 37.8±0.25 [1.49±.01] | 43.2 [1.70] | 47.2 [1.86] | 2-1586039-0 |
| 18 | 33.6±0.25 [1.32±.01] | 39.0 [1.54] | 43.0 [1.69] | 1-1586039-8 |
| 16 | 29.4±0.25 [1.16±.01] | 34.8 [1.37] | 38.8 [1.53] | 1-1586039-6 |
| 14 | 25.2±0.25 [.99±.01] | 30.6 [1.21] | 34.6 [1.36] | 1-1586039-4 |
| 12 | 21.0±0.25 [.83±.01] | 26.4 [1.04] | 30.4 [1.20] | 1-1586039-2 |
| 10 | 16.8±0.13 [.66±.005] | 22.2 [.87] | 26.2 [1.03] | 1-1586039-0 |
| 8 | 12.6±0.13 [.50±.005] | 18.0 [.71] | 22.0 [.87] | 1586039-8 |
| 6 | 8.4±0.13 [.33±.005] | 13.8 [.54] | 17.8 [.70] | 1586039-6 |
| 4 | 4.2±0.13 [.17±.005] | 9.6 [.38] | 13.6 [.54] | 1586039-4 |
| 2 | | 5.4 [.21] | 9.4 [.37] | 1586039-2 |
| POS | A | B±0.25[.01] | C±0.38[.015] | PART NUMBER |

THIS DRAWING IS A CONTROLLED DOCUMENT.

| | | | |
|----------------------------|---|---|--|
| DIMENSIONS: mm [INCHES] | TOLERANCES UNLESS OTHERWISE SPECIFIED: 0 PLC ± 1 PLC ± 0.5 [.02] 2 PLC ± 0.25 [.010] 3 PLC ± - 4 PLC ± - ANGLES ± FINISH | DWN S. HOOVER 25-SEP-2002 CHK D. COLEY 25-SEP-2002 APVD D. COLEY 25-SEP-2002 PRODUCT SPEC 108-2112 APPLICATION SPEC 114-13172 | TE Connectivity |
| MATERIAL | FINISH | WEIGHT | NAME VERTICAL HEADER WITH PEGS, WITH DRAIN HOLES VAL-U-LOK(TM) |
| 1 | 2 | CUSTOMER DRAWING | SIZE A2 CAGE CODE 00779 DRAWING NO C=1586039 RESTRICTED TO - |
| SCALE 10:1 | | SHEET 1 OF 1 | REV B4 |

Mouser Electronics

Authorized Distributor

Click to View Pricing, Inventory, Delivery & Lifecycle Information:

[TE Connectivity:](#)

[1-1586039-2](#)