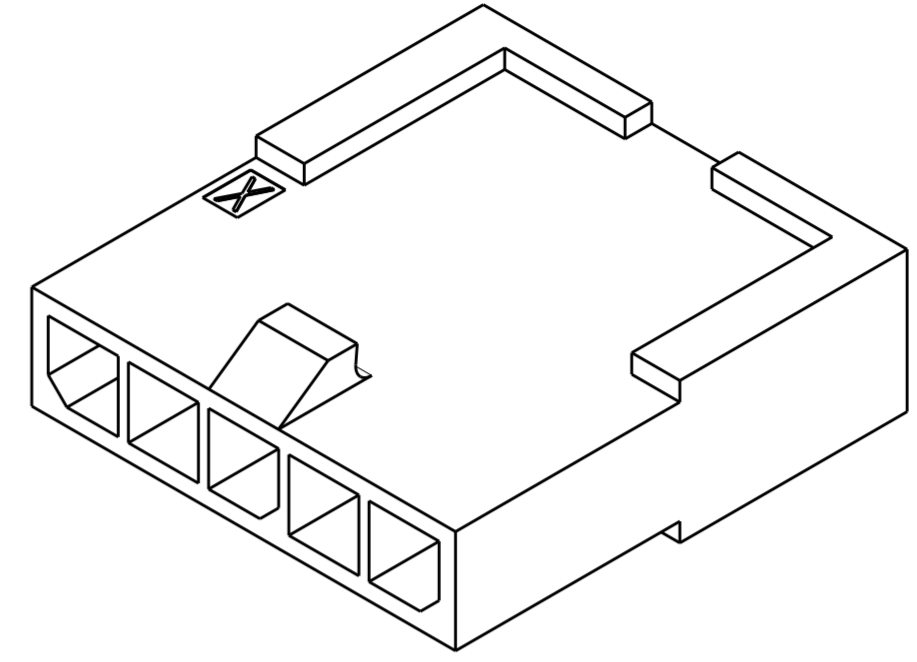
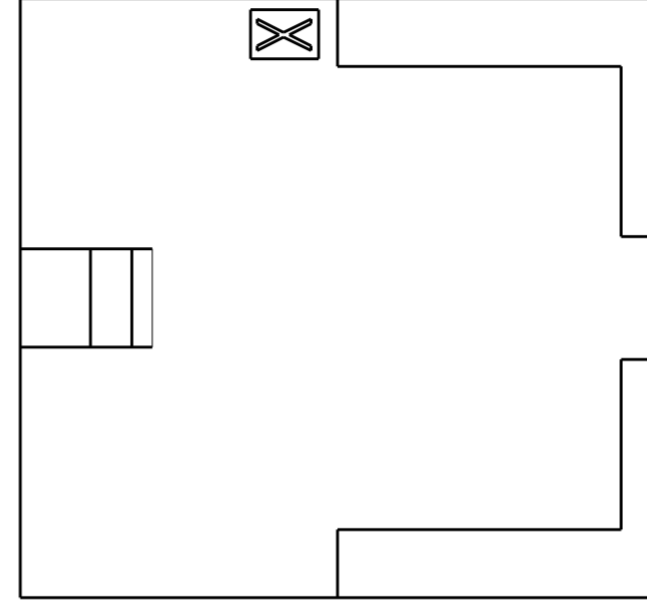


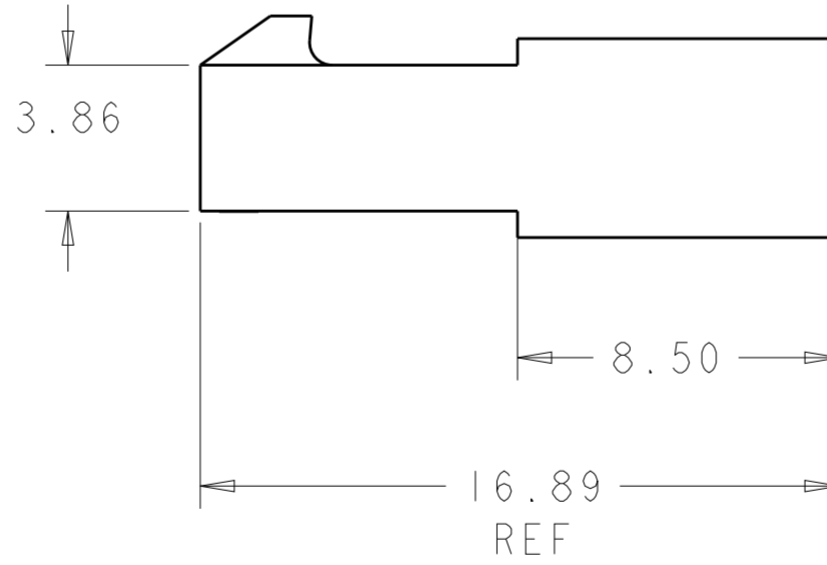
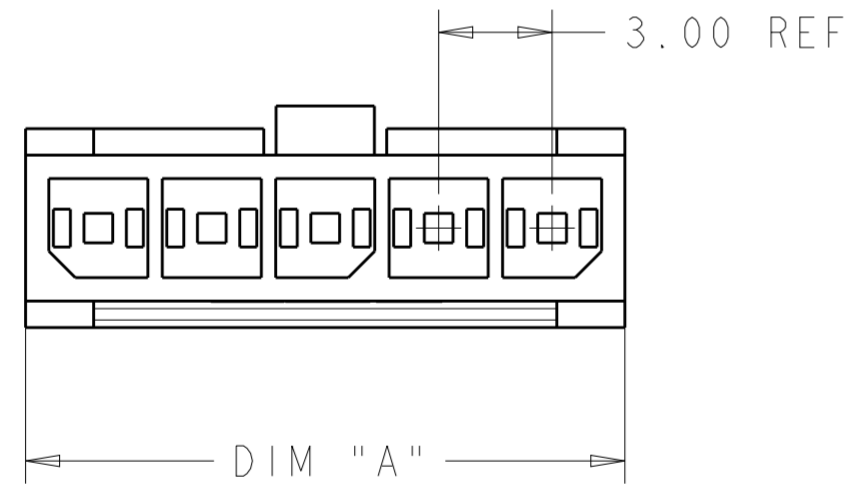
THIS DRAWING IS UNPUBLISHED. RELEASED FOR PUBLICATION 20
 © COPYRIGHT 20 ALL RIGHTS RESERVED.

LOC	DIST	REVISIONS					
CM	00	P	LTR	DESCRIPTION	DATE	DWN	APVD
		P2		REVISED PER ECR-16-013672	14OCT2016	BW	SC

1 MATERIAL NYLON66/6 V0 UL94
 2 MATERIAL PA66 V0 GW UL94.



SCALE 5:1



2	12.85	4	2-1445049-4	
	9.85	3	2-1445049-3	
	6.85	2	2-1445049-2	
	36.85	12	1-1445049-2	
1	33.85	11	1-1445049-1	
	30.85	10	1-1445049-0	
	27.85	9	1445049-9	
	24.85	8	1445049-8	
	21.85	7	1445049-7	
	18.85	6	1445049-6	
	15.85	5	1445049-5	
	12.85	4	1445049-4	
	9.85	3	1445049-3	
	6.85	2	1445049-2	
	REMARK	DIM A	NO. OF POS.	PART NUMBER

THIS DRAWING IS A CONTROLLED DOCUMENT.

DWN W J RUDY 29AUG2000	TE Connectivity					
CHK W DAVIS 29AUG2000						
APVD W DAVIS 29AUG2000						
NAME PLUG HOUSING, 2 TO 12 POSITION, SINGLE ROW, FREE HANGING, MICRO MATE-N-LOK™						
DIMENSIONS: mm	TOLERANCES UNLESS OTHERWISE SPECIFIED:	PRODUCT SPEC 108-1836	SIZE 114-13000	CAGE CODE A200779	DRAWING NO C-1445049	RESTRICTED TO -
0 PLC ±	1 PLC ±	2 PLC ±0.13	3 PLC ±	4 PLC ±	ANGLES ±	FINISH
MATERIAL NYLON, BLACK	UL94V-0	WEIGHT -	CUSTOMER DRAWING	SCALE 5:1	SHEET 1 OF 1	REV P2

Mouser Electronics

Authorized Distributor

Click to View Pricing, Inventory, Delivery & Lifecycle Information:

[TE Connectivity:](#)

[1445049-2](#)